



TB-2000® TUB BOX TECHNICAL SPECIFICATION

| | |
|----------------------|------------------|
| Job Name _____ | Item # _____ |
| Location _____ | |
| Engineer _____ | Contractor _____ |
| PO # _____ | Tag _____ |
| Representative _____ | |

SPECIFICATIONS

Oatey TB-2000 Tub Box shall provide a quick and economical method of providing access to tub waste and drain in concrete slab, wood floors and multi-story flooring. Pull-tab feature shall allow easy access to install 1.5" or 2" piping through knockout holes.

APPROVALS AND LISTINGS



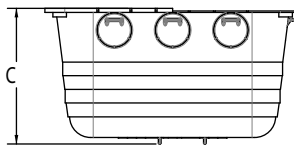
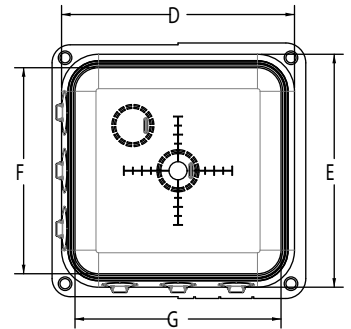
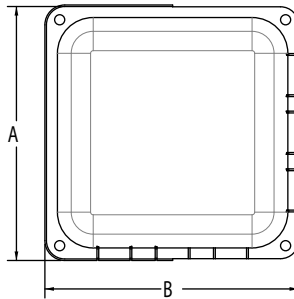
IAPMO Listed

FEATURES & MATERIALS

| | |
|----------|-------------------------|
| Material | High Impact Polystyrene |
| Color | Black |

DIMENSIONS

| | | | |
|-----------------------|-------|--------------------------|--------|
| [A]: Overall Length | 14" | [E]: Top Inner Width | 13" |
| [B]: Overall Width | 14" | [F]: Bottom Inner Length | 11.50" |
| [C]: Overall Height | 7.50" | [G]: Bottom Inner Width | 11.50" |
| [D]: Top Inner Length | 13" | | |



PRODUCT SELECTOR

| TB-2000® TUB BOX | | | |
|------------------|----------------|-----------|---------------|
| ✓ | Product Number | Ctn. Qty. | Carton Weight |
| | 34087 | 5 pair | 16 lbs. |

Access BIM/Revit content through www.oatey.com