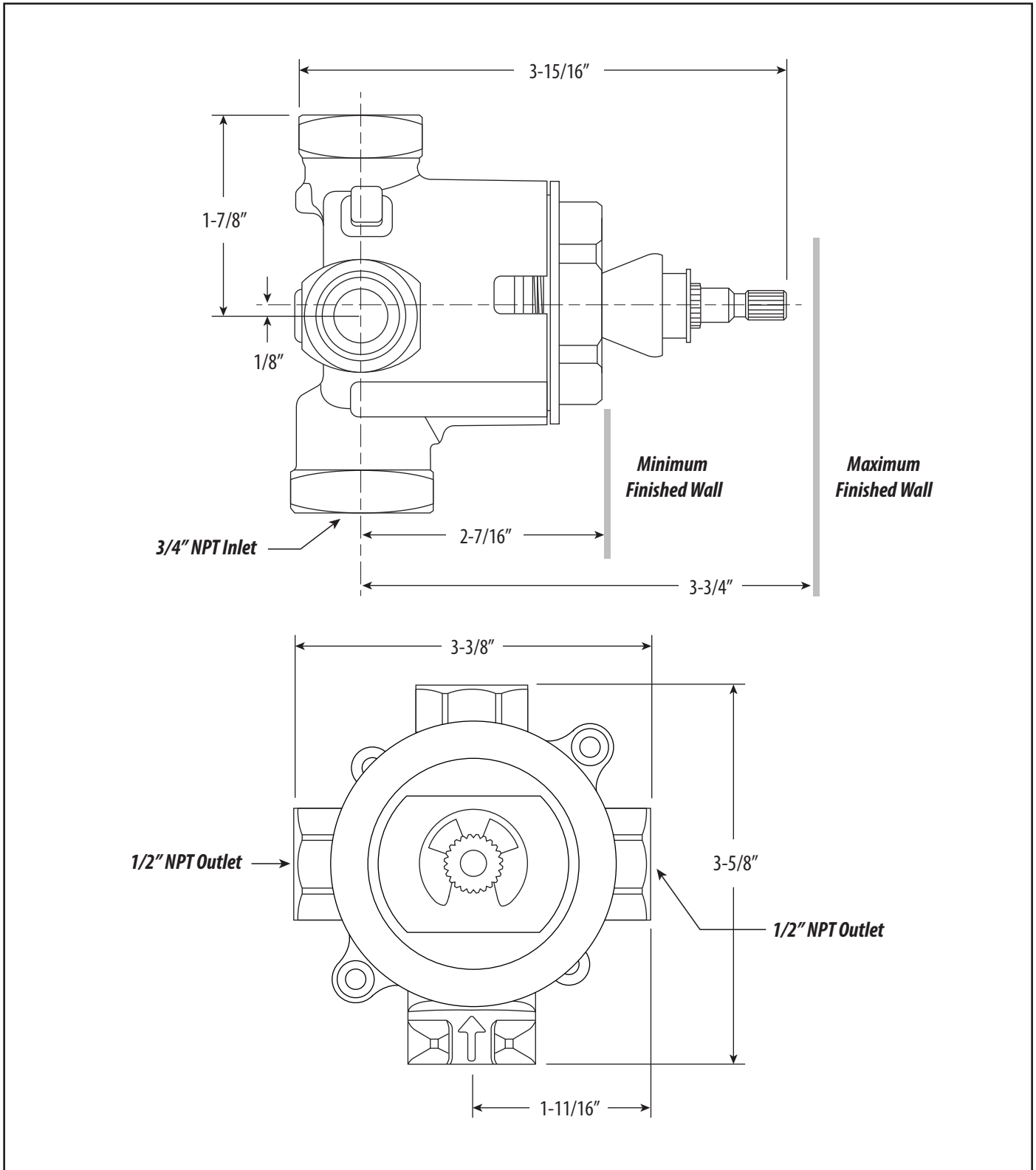


## DIVERTER CONTROL VALVE (ROUGH-IN FOR 10105)

10121



DIMENSIONS MAY VARY AND ARE SUBJECT TO CHANGE. NO RESPONSIBILITY IS ASSUMED FOR USE OF SUPERCEDED OR VOIDED DATA

