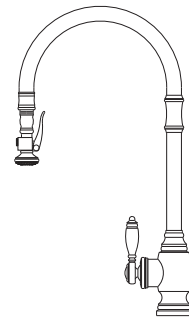
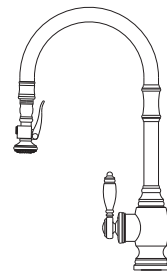


TRADITIONAL PLP PULLDOWN FAUCET INSTALLATION INSTRUCTIONS

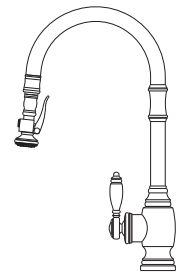
Model #s:
5500, 5600, 5610, 5200, 5210



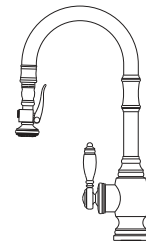
5500



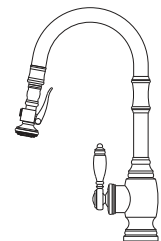
5600



5610



5200



5210

BEFORE YOU BEGIN YOUR INSTALLATION:

1



Turn off water supply.

2



Observe all local plumbing codes.

3



Inspect plumbing for signs of damage. Replace as necessary.

4



DO NOT use petroleum based products on this faucet.

REQUIRED TOOLS:



Adjustable Wrench



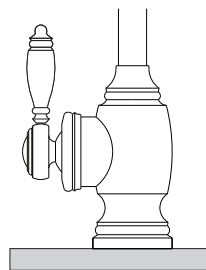
Phillips Screwdriver



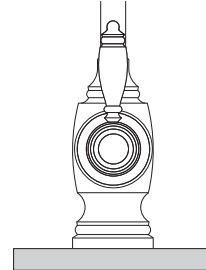
Channel Locks

HANDLE POSITION

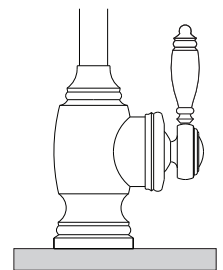
Waterstone faucets are designed to be installed in 3 different faucet positions. Choose to have the handle on left, front or right. Your faucet is factory configured for the most common positions - a front and right side installation. To reverse this and have the handle positioned on the left, connect the hose for cold water to the hot supply and the hose for hot water to the cold supply. This will maintain the relationship of pulling the handle for hot water or pushing for cold water.



HANDLE ON LEFT



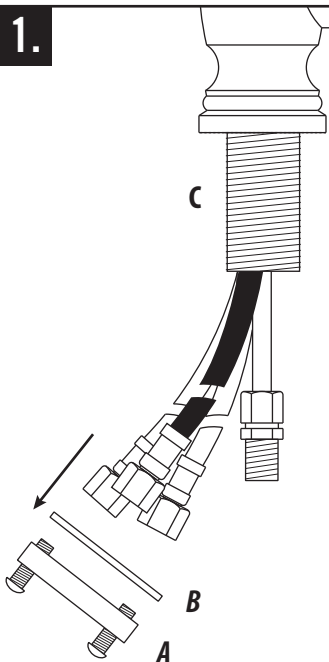
HANDLE IN FRONT



HANDLE ON RIGHT

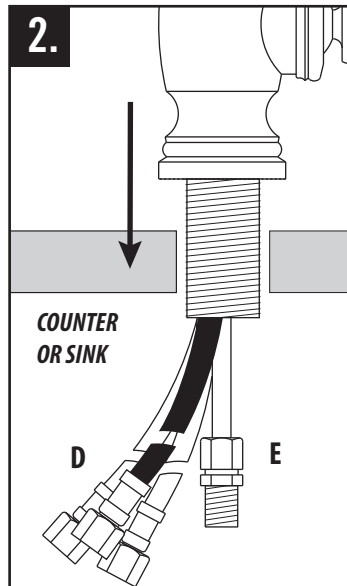
PULLDOWN FAUCET INSTALLATION

1.



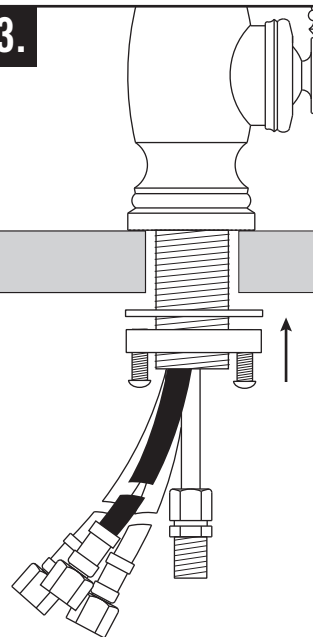
Remove the clamp nut (A) and washer (B) from the threaded shroud (C).

2.



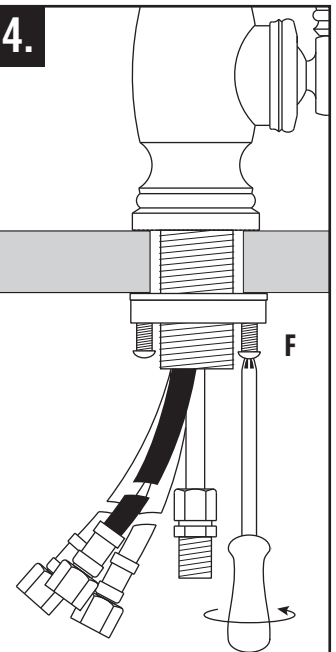
Fit flexible hoses (D) and spray connection tube (E) through hole on counter or sink. (No plumbers putty is required. O-ring seals base).

3.



Slide washer and thread the clamp nut onto threaded shroud. Tighten nut snug to underside of sink or counter.

4.



Turn faucet to the desired handle position. Securely tighten clamp screws (F).

HOW TO ADJUST HANDLE POSITION AND HANDLE TENSION

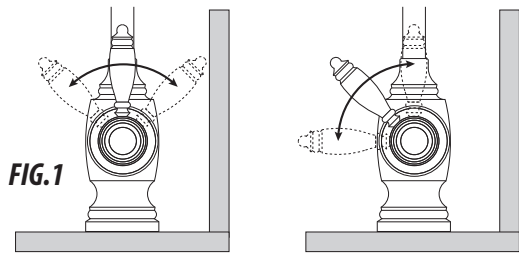
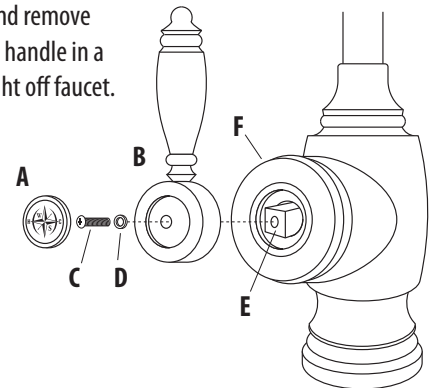


FIG. 1
ORIGINAL FACTORY POSITION
MAY HIT BACKSPASH

NEW ADJUSTED POSITION
CLEARS BACKSPASH

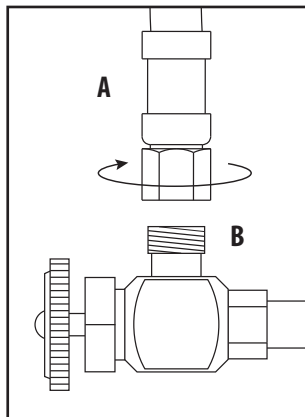
On some kitchen countertops, the handle may hit the backsplash when the faucet handle is positioned to the left or right (Fig. 1). Waterstone gives you the option of adjusting the handle 45 degrees to avoid hitting backsplash.

Place a small standard screwdriver in slot at bottom of metal ring that surrounds handle button (A). Gently pry button from handle (B). Unscrew and remove holding screw (C) and washer (D). Hold handle in a vertical position. Wiggle and pull straight off faucet. Rotate handle away from backsplash 45 degrees then slide handle back onto valve stem (E). Insert holding screw with washer and tighten. Snap handle cap back into place. To adjust handle tension, turn ring (F) clockwise to increase or counterclockwise to decrease handle tension.

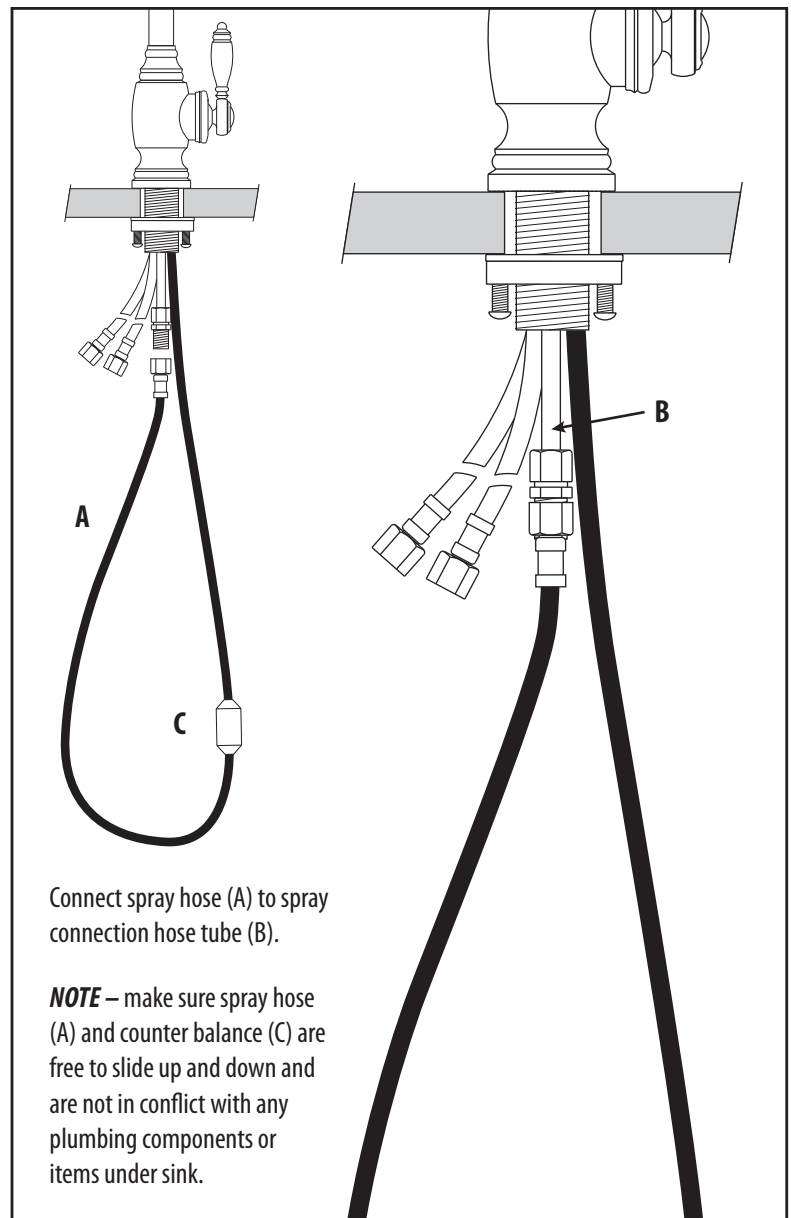


CONNECTING SUPPLY HOSES

Before connecting supply hoses, flush supply stops to clear any debris. Place a bucket underneath stops and run water for 5 to 10 seconds. Turn water off. Carefully position hot and cold supplies so they will not interfere with other hoses. Connect supply hoses (A) to supply stops (B). **DO NOT** use teflon tape or plumbers putty. Turn water back on and check for leaks.



CONNECT THE PULLDOWN SPRAY HOSE

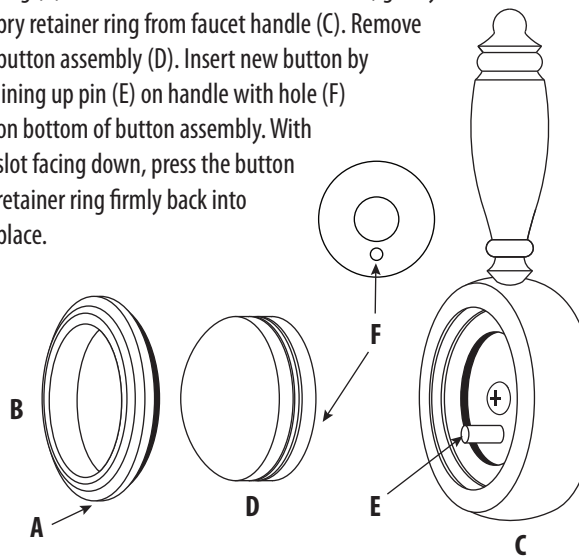


Connect spray hose (A) to spray connection hose tube (B).

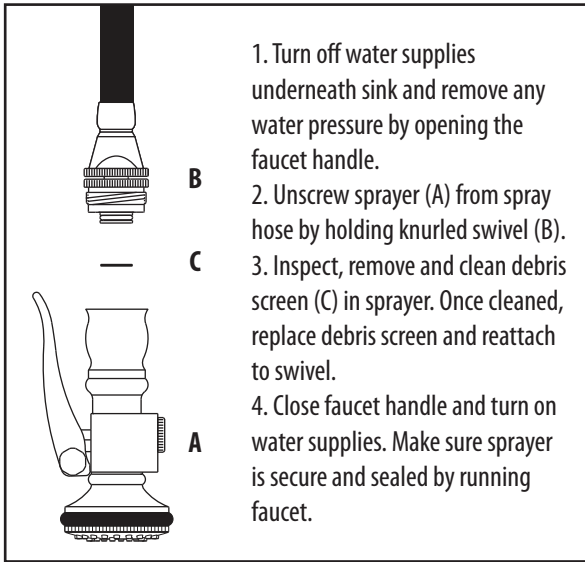
NOTE – make sure spray hose (A) and counter balance (C) are free to slide up and down and are not in conflict with any plumbing components or items under sink.

OPTIONAL DECORATIVE BUTTONS

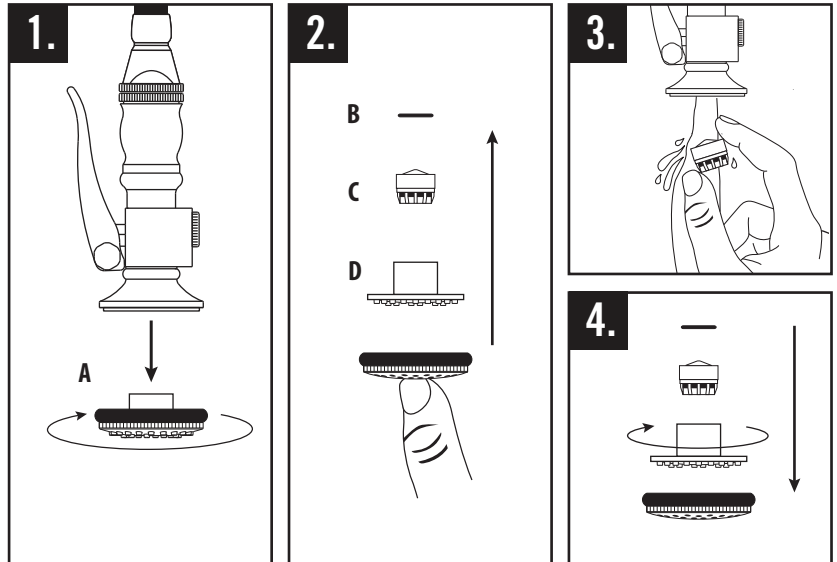
To change button, find the slot (A) at bottom of retainer ring (B). With a small standard screwdriver, gently pry retainer ring from faucet handle (C). Remove button assembly (D). Insert new button by lining up pin (E) on handle with hole (F) on bottom of button assembly. With slot facing down, press the button retainer ring firmly back into place.



CLEANING DEBRIS SCREEN

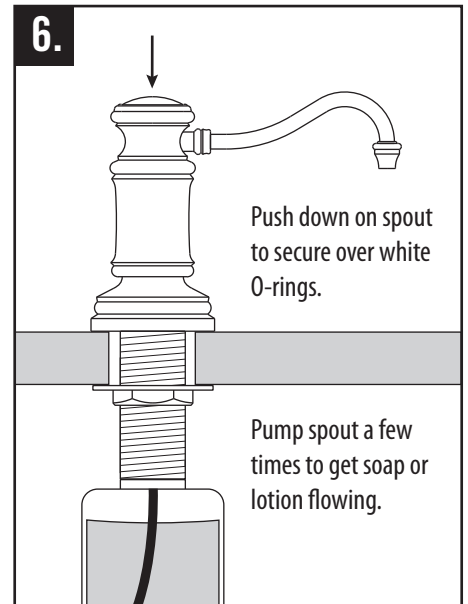
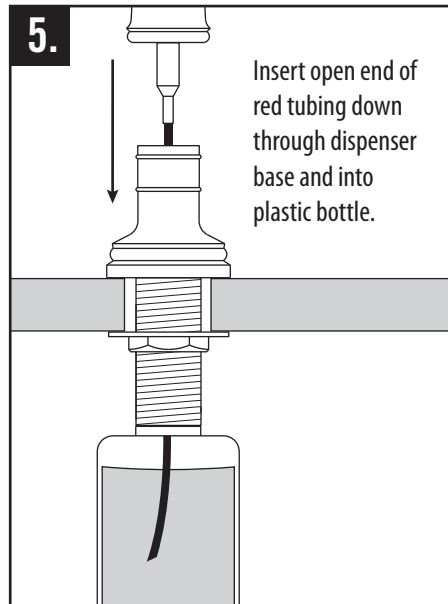
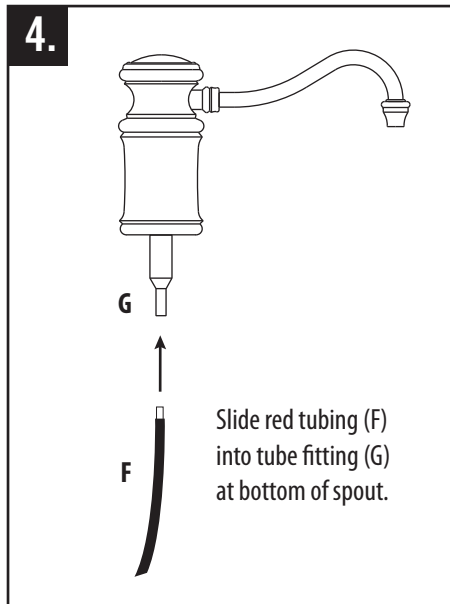
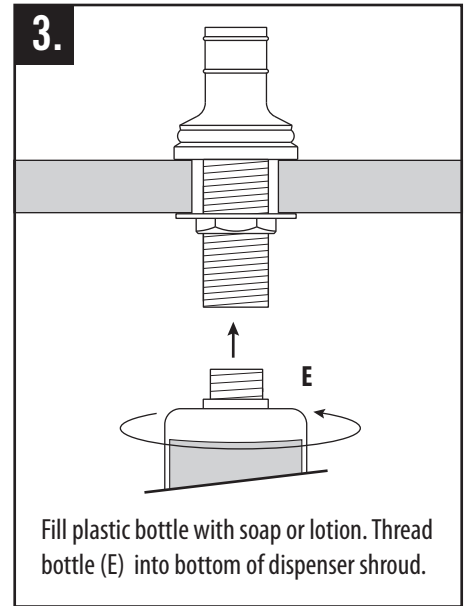
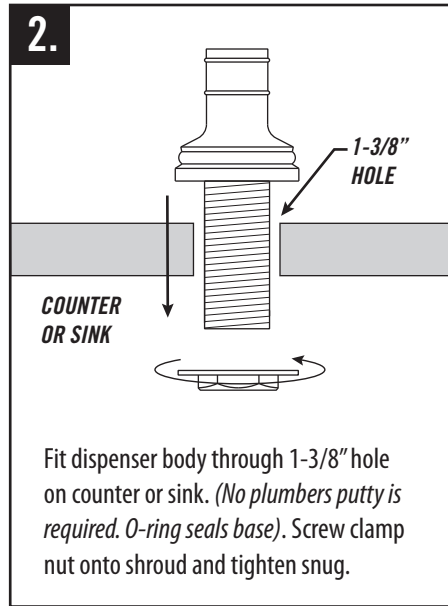
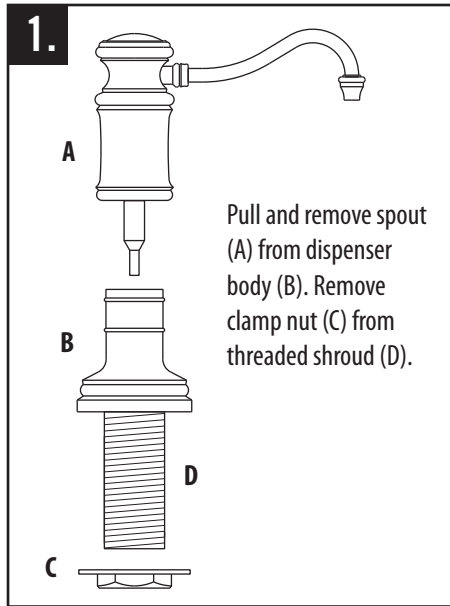


CLEANING AERATOR

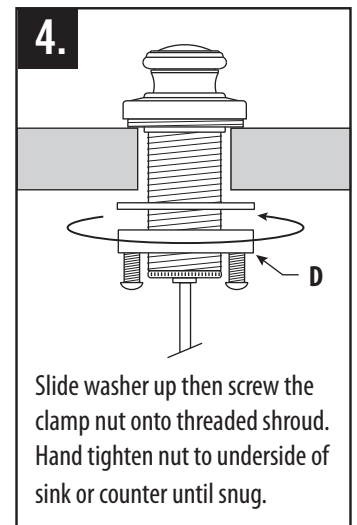
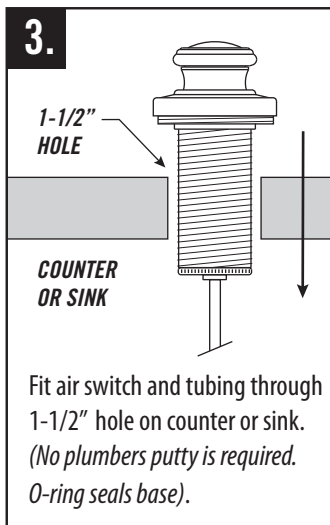
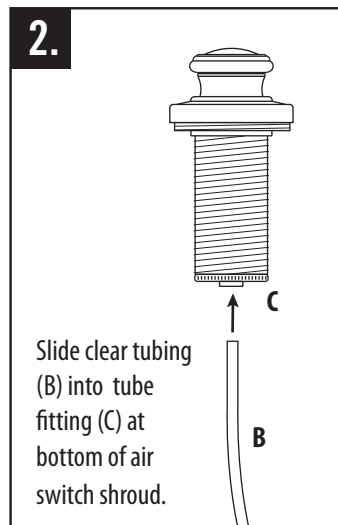
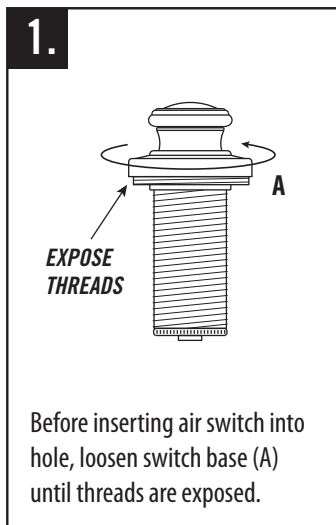


1. Gently unscrew and remove spray face (A) by hand.
2. To remove O-ring (B), aerator (C) and spray face insert (D), push with finger from bottom.
3. Thoroughly rinse aerator with water until all debris is removed.
4. Place spray face insert back into spray face and spin until it clicks into place. Next, place aerator and O-ring into spray face. Gently screw spray face, by hand, snugly back onto sprayer.

INSTALL SOAP/LOTION DISPENSER (OPTIONAL)



INSTALL AIR SWITCH (OPTIONAL)



5.

Tighten clamp screws (E) securely with screwdriver.

6.

Hand tighten switch base back down to cover threads.

7.

Slide other end of tubing (F) into tube fitting at bottom of control box (G).

8.

Plug control box into undersink electrical outlet. Plug garbage disposal into either dual outlet.

INSTALL SINGLE PORT AIR GAP (OPTIONAL)

1.

Twist and pull air gap cover (A) off of upper cap nut (B). Unscrew and remove cap nut from piping (C).

2.

Unscrew and remove top clamp nut (D) from both threadings on piping. Slide gasket (E) off piping and remove.

3.

From underneath countertop, fit air gap piping upward through 1-1/2" hole.

4.

Slide gasket down and screw top clamp nut back onto piping. Adjust the two clamp nuts to fit countertop thickness. (No plumbers putty is required).

5.

Screw cap nut back onto top of piping until snug. Slide air gap over cap nut and top clamp nut. Be sure to have overflow holes (F) facing sink.

6.

Slide small intake hose (G) over small connector. Slide larger drainage hose (H) over large connector. Tighten hose clamps. Turn on water supply and check for leaks.

INSTALL DUAL PORT AIR GAP (OPTIONAL)

1.

Pull air gap (A) off of upper cap nut (B). Unscrew and remove cap nut from piping (C).

2.

Unscrew and remove top clamp nut (D) from both threadings on piping. Slide gasket (E) off piping and remove.

3.

From underneath counter top, fit air gap piping upward through 1-1/2" hole.

4.

Slide gasket down and screw top clamp nut back onto piping. Adjust the two clamp nuts to fit countertop thickness. *(No plumbers putty is required).*

5.

Screw cap nut back onto top of piping until snug. Slide air gap over cap nut and top clamp nut. Be sure to have overflow holes (F) facing sink.

6.

Slide small intake hose (G) over small connector. Slide larger drainage hose (H) over large connector. Tighten hose clamps.

Third intake hole (J) has 3 options. Use hose connector (K) for additional dishwasher, use filtration hose connector (L) for reverse osmosis unit, or use solid cap (M) to plug third hole.

