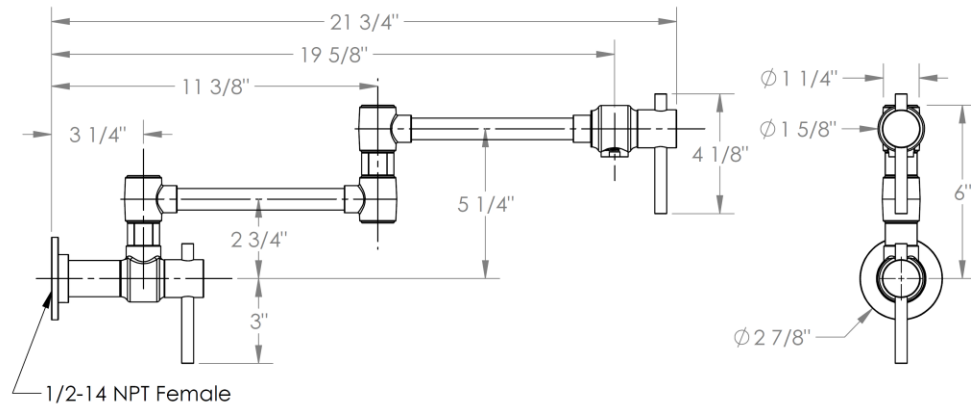


## FEATURES

- ½ turn washerless ceramic disc valve cartridges
- Warranty:
  - Limited lifetime warranty (residential use)
  - One year (commercial use)
- Shipping weight (lbs.) 10
- Flexible hose connections
- Solid brass construction
- Shipping dimensions (in.): 29x12x4



ITEM NO.	PART NUMBER	QTY.
1	KIT650C-FLNG-INNR	1
2	KIT650C-FLNG-OUTR	1
3	KIT650C-BODY-ASSY	1
4	502-AERTR-SHLL	1
5	502-AERTR-GSKT	1
6	socket set screw cup point_am	1
7	socket set screw cup point_am	1
8	KIT650 - HANDLE LONG	2
9	KIT650 - HANDLE SHORT	2
10	KIT650 - LEVER HANDLE POST	2
11	CARTRIDGE	2
12	AF6 WALL ANCHOR	4
13	#8- 1.5-IN-DRYWALL-SCRW	4
14	SSCUPSKT 0.25-20x0.1875-HX-S	1

### IMPORTANT INSTALLATION INFORMATION

- USE TEFLON TAPE OR PIPE SEALANT FOR THREADED CONNECTIONS
- DO NOT USE PLUMBER'S PUTTY ON ANY OF THE BRASS COMPONENTS  
This will cause the finish to tarnish and void the warranty. A non-corrosive Alkoxy Silicone is recommended.
- DURING SWEATING OF LINES DO NOT OVERHEAT CASTING  
Overheating may cause damage to internal mechanism
- COPPER ADAPTORS MAY BE REQUIRED TO COMPLETE YOUR INSTALLATION

**For technical support, please call 718-257-2800**