

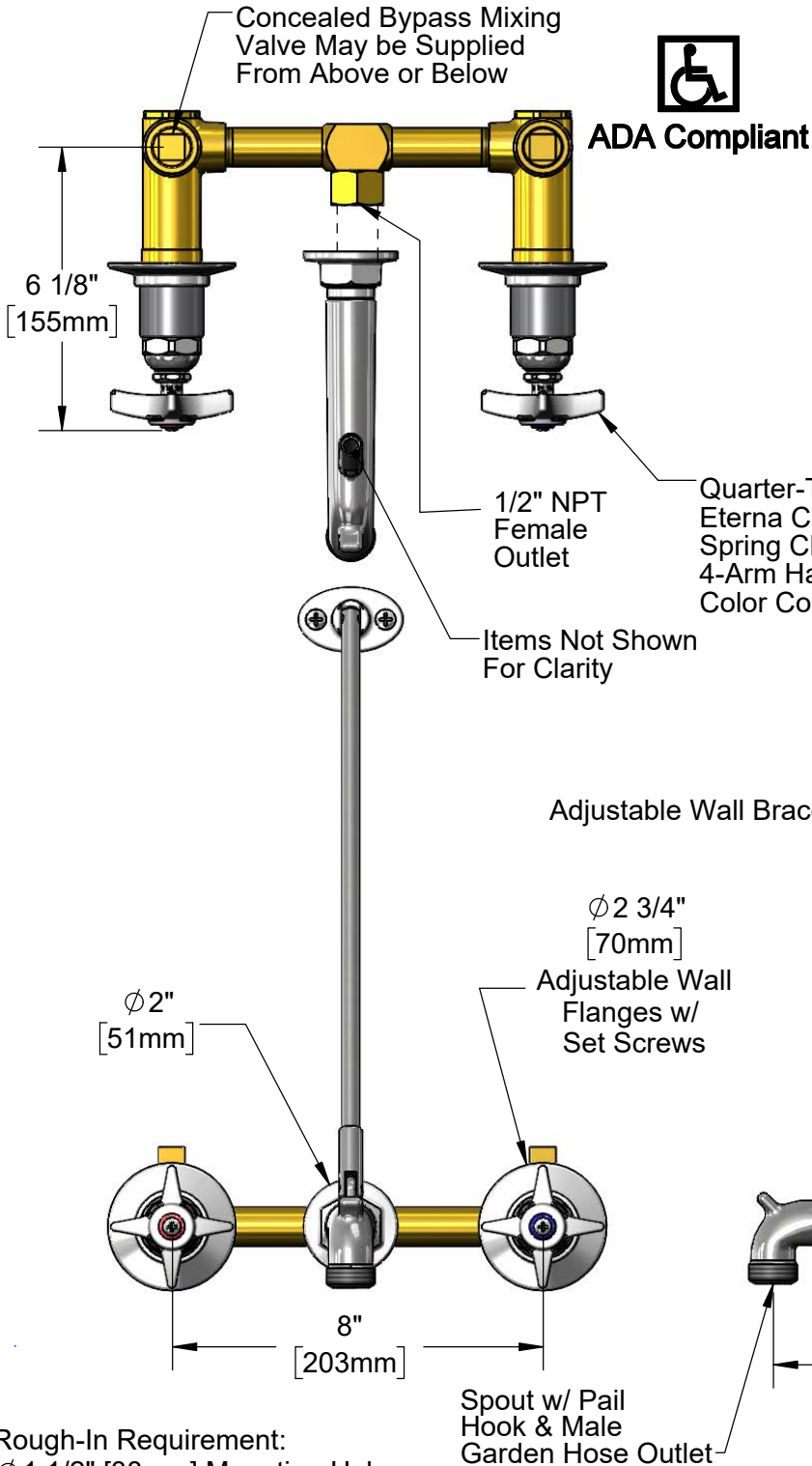


**T&S BRASS AND BRONZE WORKS, INC.**  
 2 Saddleback Cove / P.O. Box 1088  
 Travelers Rest, SC 29690

Model No.  
**B-0697**

Item No.

Travelers Rest, SC: 800-476-4103 • Simi Valley, CA: 800-423-0150 • Fax: 864-834-3518 • www.tsbrass.com



This Space for Architect/Engineer Approval

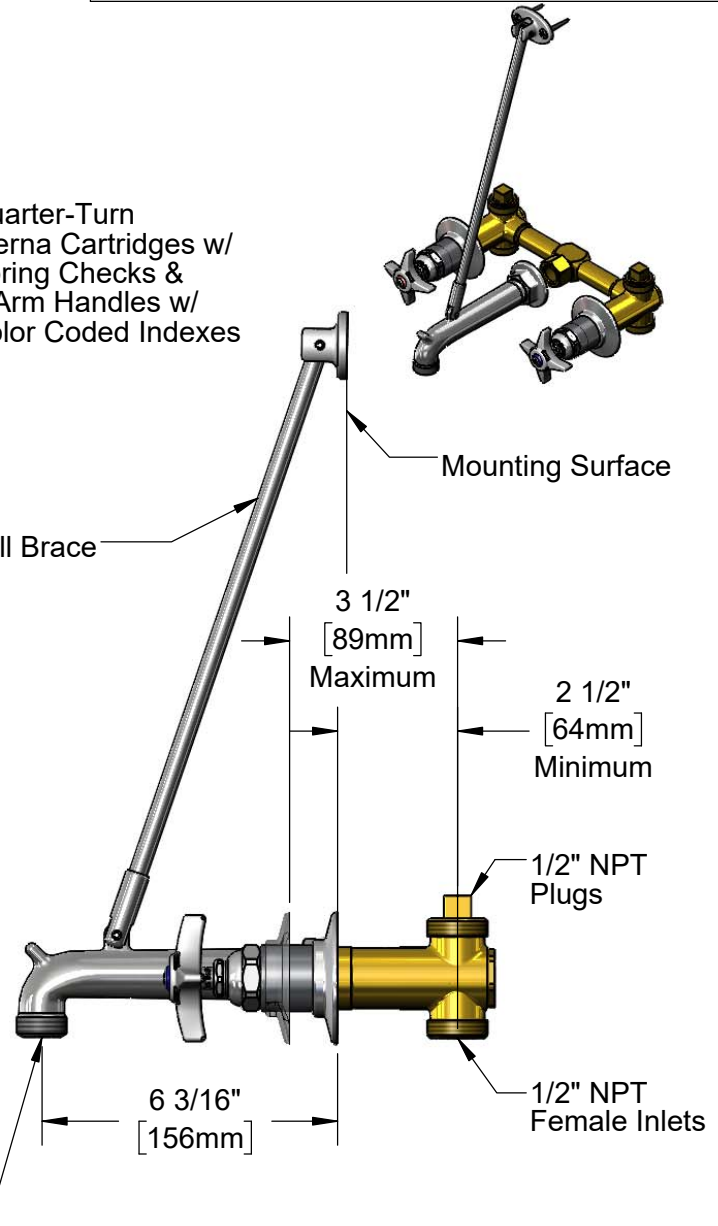
Job Name \_\_\_\_\_ Date \_\_\_\_\_

Model Specified \_\_\_\_\_ Quantity \_\_\_\_\_

Customer/Wholesaler \_\_\_\_\_

Contractor \_\_\_\_\_

Architect/Engineer \_\_\_\_\_



Rough-In Requirement:  
 Ø 1 1/2" [38mm] Mounting Holes

Product Specifications:  
 8" Wall Mount Concealed Mixing Valve, Quarter-Turn Eterna Cartridges w/ Spring Checks, 4-Arm Handles, Spout w/ Pail Hook & Male Garden Hose Outlet, Upper Support Rod & 1/2" Female Inlets/Outlets

Product Compliance:  
 ASME A112.18.1 / CSA B125.1  
 NSF 61 Exempt (Non-Potable)  
 ANSI A117.1 (ADA)



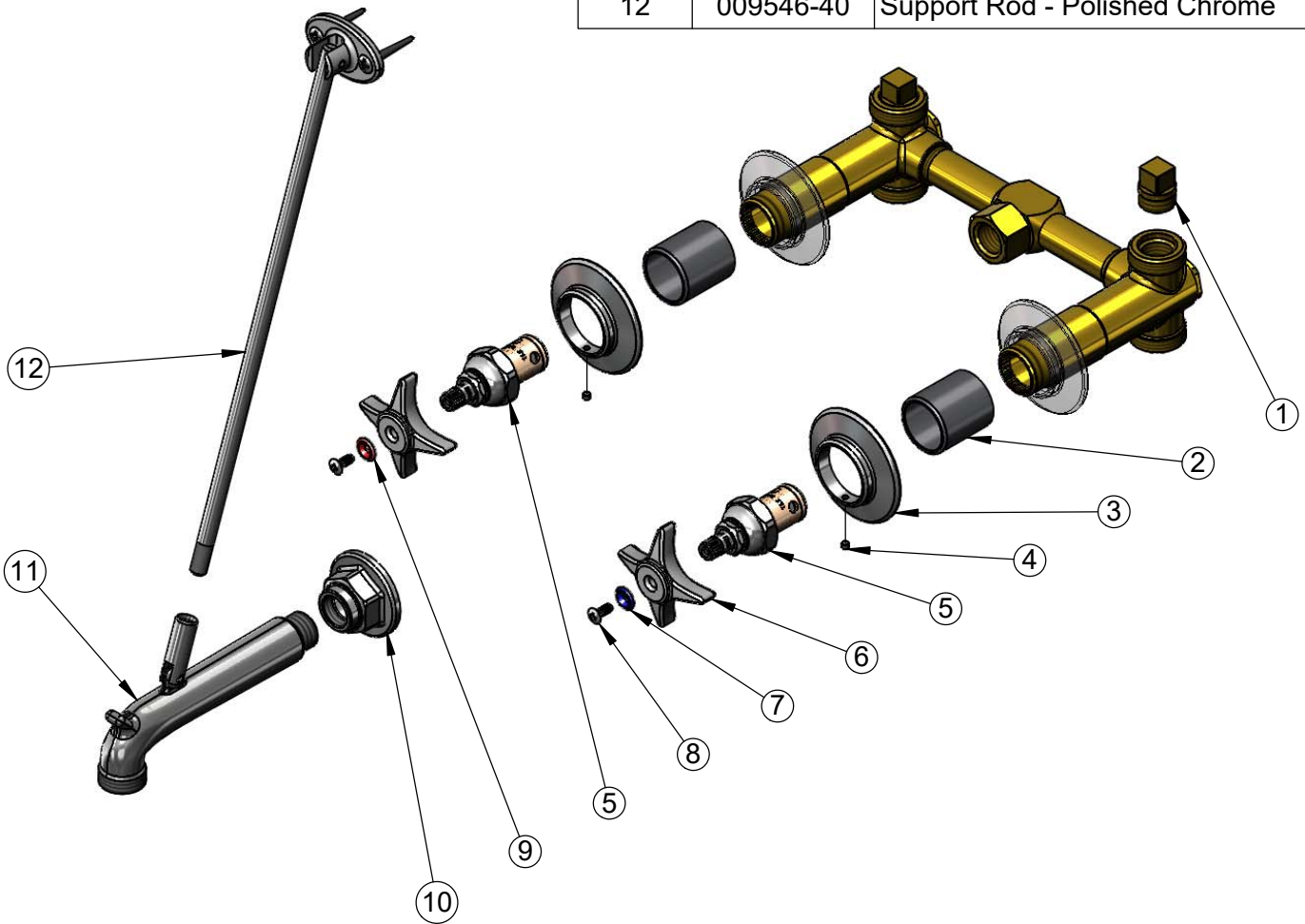
**T&S BRASS AND BRONZE WORKS, INC.**  
 2 Saddleback Cove / P.O. Box 1088  
 Travelers Rest, SC 29690

Model No.  
**B-0697**

Item No.

Travelers Rest, SC: 800-476-4103 • Simi Valley, CA: 800-423-0150 • Fax: 864-834-3518 • www.tsbrass.com

ITEM NO.	SALES NO.	DESCRIPTION
1	001347-20	1/2" NPT Square Head Plug
2	151F	Escutcheon Tube
3	001501-40	Escutcheon
4	000939-45	Escutcheon, Set Screw
5	012443-40	Quarter-Turn Eterna Cartridge w/ Spring Check, RTC
6	002521-45	4-Arm Handle
7	001660-45	Blue Index-CW
8	000922-45	Lever Handle Screw
9	001661-45	Red Index-HW
10	000013-40	Flange, 1/2" NPT Wall Mount
11	009545-40	Nozzle w/ Clevis - Polished Chrome
12	009546-40	Support Rod - Polished Chrome



**Product Specifications:**

8" Wall Mount Concealed Mixing Valve, Quarter-Turn Eterna Cartridges w/ Spring Checks, 4-Arm Handles, Spout w/ Pail Hook & Male Garden Hose Outlet, Upper Support Rod & 1/2" Female Inlets/Outlets

**Product Compliance:**

ASME A112.18.1 / CSA B125.1  
 NSF 61 Exempt (Non-Potable)  
 ANSI A117.1 (ADA)