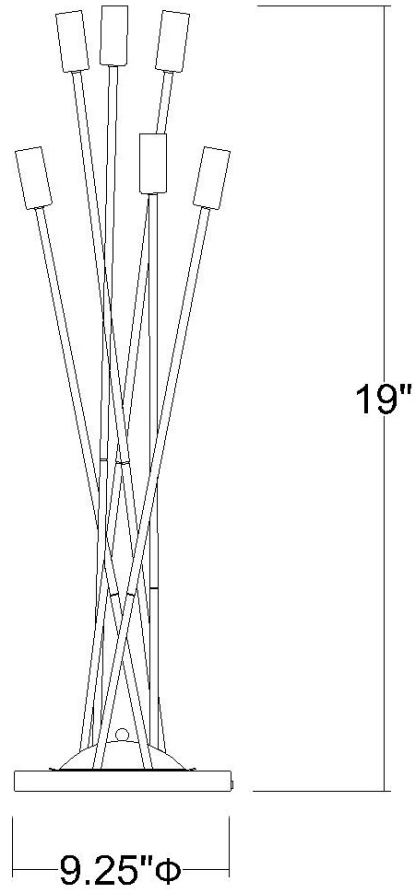


TT80025AB

PERRET 6-LIGHT TABLE LAMP



| | |
|--------------------------|---------------------------|
| Description: | Perret 6-Light Table Lamp |
| Finish: | Aged Brass |
| Dimensions: | 9-1/4" Dia. x 19" H |
| Bulbs: | 6-40W Cand. |
| Installed Weight: | 4.15 lbs. |
| Certification: | cUL |

**dimensions do not include bulbs*

| | |
|--------------------------|------------------|
| Material: | Steel |
| Shade: | NA |
| Shade Dimensions: | NA |
| Glass: | NA |
| Cord: | 6' clear plug-in |
| Switch: | 3-way inline |