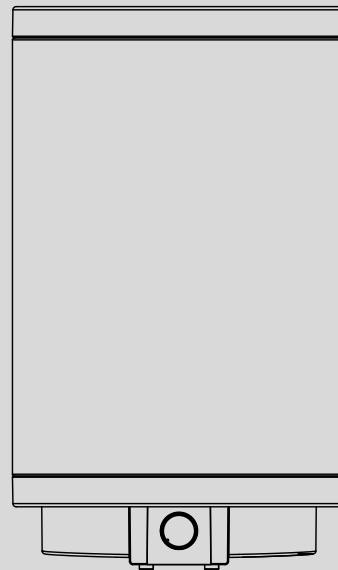


OPERATION AND INSTALLATION FONCTIONNEMENT ET INSTALLATION

Wall-Mounted Tank Water Heaters | Chauffe-eau à réservoir mural

- » PSH 20 Plus
- » PSH 30 Plus



Certified to ANSI/UL Std. 174
Conforms to CAN/CSA Std. C22.2 No. 110

Certificación con ANSI/UL Std. 174
Conforme a CAN/CSA Std. C22.2 No. 110

Certifié à la norme ANSI/UL Std. 174
Conforme à la norme CAN/CSA Std. C22.2 No. 110



Tested and certified by WQA to NSF/ANSI 372
for lead free compliance.

Probado y certificado por WQA NSF/ANSI 372 para
el cumplimiento de las regulaciones sin plomo.

Testé et certifié par WQA à la NSF/ANSI 372 pour
une utilisation sans plomb.

STIEBEL ELTRON

SPECIAL INFORMATION

OPERATION

1. General information _____ **4**
 1.1 Safety instructions _____ 4
 1.2 Other symbols in this documentation _____ 4
2. Safety _____ **4**
 2.1 Intended use _____ 4
 2.2 General safety instructions _____ 4
 2.3 Test symbols _____ 5
3. Register your product _____ **5**
4. Appliance description _____ **5**
5. Settings _____ **5**
 5.1 Vacation and absence _____ 6
6. Cleaning, care and maintenance _____ **6**
7. Troubleshooting _____ **6**

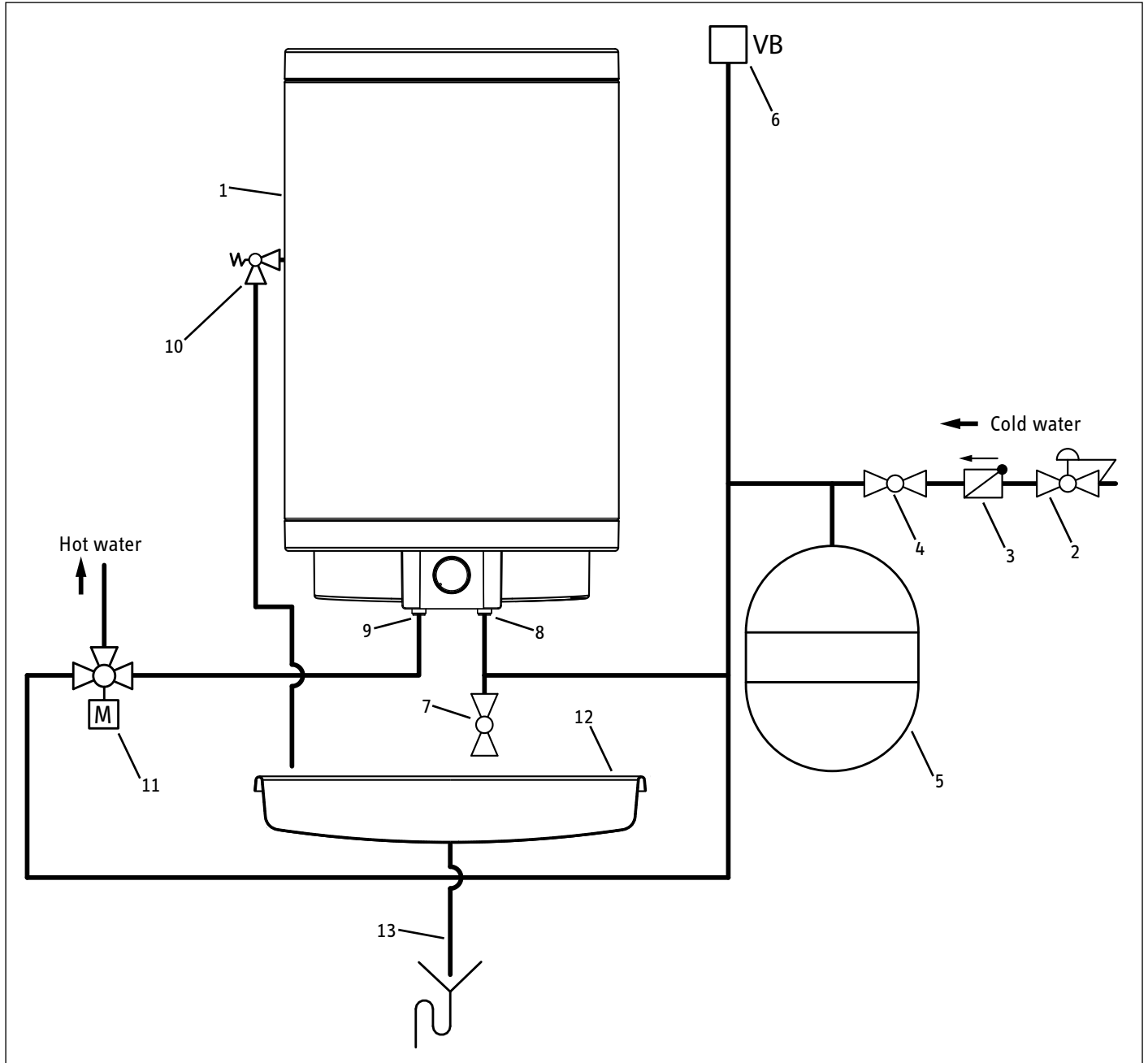
INSTALLATION

8. Safety _____ **7**
 8.1 General safety instructions _____ 7
 8.2 Instructions, standards and regulations _____ 7
9. Appliance description _____ **7**
 9.1 Standard delivery _____ 7
 9.2 Accessories _____ 7
10. Preparations _____ **7**
 10.1 Installation site _____ 7
 10.2 Securing the plywood backing sheet _____ 8
 10.3 Mounting onto the plywood backing sheet _____ 8
11. Installation _____ **9**
 11.1 Water connection _____ 9
 11.2 Power supply _____ 9
12. Commissioning _____ **9**
 12.1 Commissioning _____ 9
 12.2 Recommissioning _____ 9
13. Shutting down _____ **9**
14. Troubleshooting _____ **9**
15. Maintenance _____ **10**
 15.1 Draining the appliance _____ 10
 15.2 Checking / replacing the sacrificial anode _____ 10
 15.3 Descaling _____ 10
 15.4 Anti-corrosion protection _____ 10
 15.5 Replacing the power cable _____ 10
 15.6 Replacing the combined controller/limiter _____ 11
16. Specification _____ **11**
 16.1 Dimensions and connections _____ 11
 16.2 Wiring diagram _____ 12
 16.3 Heat-up diagrams _____ 12
 16.4 Data table _____ 13
 16.5 Spare parts _____ 14
17. Warranty _____ **15**

SPECIAL INFORMATION

- Only use a permanent connection to the power supply. The appliance must be able to be separated from the power supply by a circuit breaker that disconnects all poles.
- Mount the appliance in position as described in chapter 10, "Preparations", pg. 7.
- Observe the maximum permissible pressure (see chapter 16.4, "Data table", pg. 13).
- Drain the appliance as described in the chapter 15.1, "Draining the appliance", pg. 10.
- Size the drain so that water can drain off unimpeded when the T&P relief valve is fully opened.
- Plumb the discharge pipe of the T&P relief valve with a constant downward slope and in a room free from the risk of frost.
- The safety valve discharge opening must remain open to the atmosphere. Do not immerse it in water.

Suggested plumbing schematic for PSH Plus



- 1 PSH Plus
- 2 Pressure reducing valve (70 psi [0.48 MPa], required, not provided)
- 3 Check valve (recommended, not provided)
- 4 Ball valve (recommended, not provided)
- 5 Expansion tank (required, not provided)
- 6 Vacuum breaker (required, not provided)
- 7 Boiler drain valve (recommended, not provided)
- 8 Cold water inlet
- 9 Hot water outlet
- 10 Temperature & pressure (T&P) relief valve (150 psi [1.03 MPa], provided)
- 11 Mixing valve (recommended, not provided)
- 12 PSH drain pan (recommended, not provided, item no. 328651)
- 13 Drain

OPERATION

1. General information

The chapters "Operation" and "Special Information" are intended for both the user and qualified technicians.

The chapter "Installation" is intended for qualified technicians.



Note

Read these instructions carefully before using the appliance and keep them for future reference. Pass on the instructions to a new user if required.

1.1 Safety instructions

1.1.1 Structure of safety instructions



KEYWORD Type of risk

Here, possible consequences are listed that may result from failure to observe the safety instructions.

④ Steps to prevent the risk are listed.

1.1.2 Symbols, type of risk

Symbol	Type of risk
	Injury
	Electrocution
	Burns

1.2 Other symbols in this documentation



Note

General information is identified by the symbol shown on the left.

④ Read these texts carefully.

Symbol	Meaning
	Material losses (appliance and collateral losses, environmental pollution)
	Appliance disposal

2. Safety

2.1 Intended use

The appliance is intended for heating domestic hot water and can supply one or more tapping points.

This appliance is intended for domestic use. It can be used safely by untrained persons. The appliance can also be used in a non-domestic environment, e.g. in a commercial setting, as long as it is used in the same way.

Any other use beyond that described shall be deemed inappropriate. Using the appliance for heating fluids other than water or water supplemented with chemicals, such as brine, is also deemed inappropriate.

Observation of these instructions and of instructions for any accessories used is also part of the correct use of this appliance.



WARNING

To reduce the risk of excessive pressures and temperatures in this water heater, install temperature and pressure protective equipment required by local codes and no less than a combination temperature and pressure relief valve certified by a nationally recognized testing laboratory that maintains periodic inspection of production of listed equipment or materials, as meeting the requirements for Relief Valves and Automatic Gas Shutoff Devices for Hot Water Supply Systems, ANSI Z21.22.

The valve must be marked with a maximum set pressure not to exceed the marked maximum working pressure of the water heater, and orient it or provide tubing so that any discharge from the valve exits only within 6 inches above, or at any distance below, the structural floor, and does not contact any live electrical part. The discharge opening must not be blocked or reduced in size under any circumstances.

2.2 General safety instructions



WARNING Burns

During operation, the tap and T&P relief valve can reach temperatures in excess of 140 °F (60 °C).

There is a risk of scalding at outlet temperatures in excess of 109 °F (43 °C).



Material losses

The user should insulate the water lines and the T&P relief valve to protect them from freezing.



Note

The appliance is under pressure. During the heat-up process, water will expand and increase in pressure. Without an expansion vessel, the water will drip from the T&P relief valve.

④ Ensure that an expansion vessel is installed in line with the water heater.

④ If water continues to drip when heating is completed, please inform the installer.

OPERATION

Register your product

2.3 Test symbols

See the type plate on the appliance for testing information and certification details.

3. Register your product



You must register this product within 90 days of purchase on our web site in order to activate the standard warranty or to be eligible for the extended warranty. Go to our web site at www.stiebel-eltron-usa.com and click on "Register Your Product".

Before beginning the registration process, we suggest that you gather the necessary information which will be as follows:

Type, Example: PSH 30 Plus (from label that is on the unit)
Number listed after "Nr."

Place of Purchase

Purchase Date

First & Last Name

Email address

Physical Address

Phone Number

Installation Date

IF YOU HAVE ANY QUESTIONS CONCERNING THE REGISTRATION PROCESS OR WARRANTY OPTIONS, PLEASE CONTACT STIEBEL ELTRON USA DIRECTLY AT 800.582.8423.

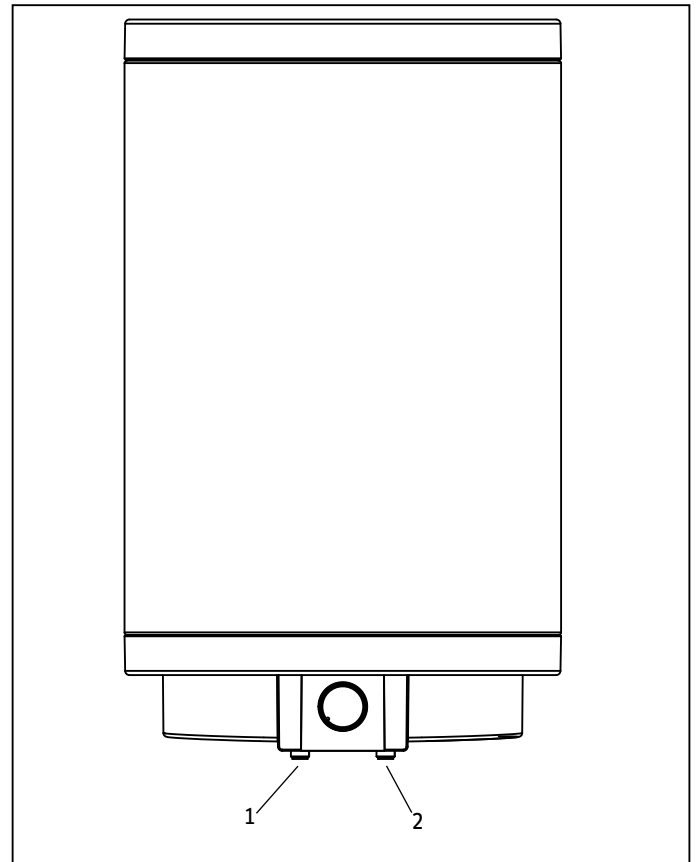
4. Appliance description

The appliance heats DHW using an electric resistance element. You can adjust the temperature using the temperature knob. The water is heated automatically to the required temperature.

The internal steel cylinder is coated with special "Co Pro" enamel and is equipped with a sacrificial anode. The anode protects the interior of the tank from corrosion. When the sacrificial anode becomes worn, it will need to be replaced.

Frost protection

The appliance is also protected against freezing by the temperature setting "*", provided that the appliance is supplied with power. The appliance switches on when necessary and heats the water to avoid freezing. The frost protection measure does not protect the water supply lines and the T&P relief valve from freezing.

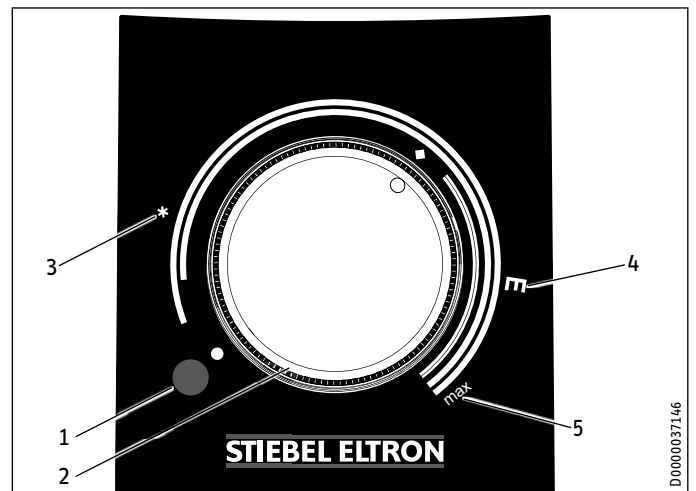


- 1 Hot water outlet stub
- 2 Cold water inlet stub

5. Settings

The temperature can be freely adjusted. It is factory set to 125 °F (52 °C).

Turn the knob clockwise to increase the temperature setting, and counter-clockwise to decrease it.



- 1 ON/OFF indicator
- 2 Temperature knob
- 3 Frost protection
- 4 Recommended energy saving position, low scaling, 140 °F (60 °C)
- 5 Maximum temperature setting, 167 °F (75 °C)

INSTALLATION

Cleaning, care and maintenance

Depending upon the system, the actual water temperatures at the tapping points may be lower than the set value.



WARNING Burns

There is a risk of scalding at outlet temperatures in excess of 109 °F (43 °C).

Setting the temperature above 125 °F (52 °C) is not recommended without the installation of a mixing valve.

ON/OFF indicator

The ON/OFF indicator illuminates when water is being heated.

5.1 Vacation and absence

- ④ If the appliance will not be used for a few days, set the temperature knob to a position between the frost protection and energy saving settings.
- ④ If the appliance is not to be used for a longer period, set it to frost protection to conserve energy. If there is no risk of frost you may disconnect the appliance from the power supply.
- ④ To protect against Legionella, heat the water once 140 °F (60 °C) before using hot water again.

6. Cleaning, care and maintenance

- ④ Have the electrical safety of the appliance and the function of the T&P relief valve regularly checked by a qualified technician.
- ④ Have the sacrificial anode initially checked by a qualified technician after the first year. The qualified technician should then determine the intervals at which it must be checked thereafter.
- ④ Never use abrasive or corrosive cleaning agents. A damp cloth is sufficient for cleaning the exterior of the appliance.

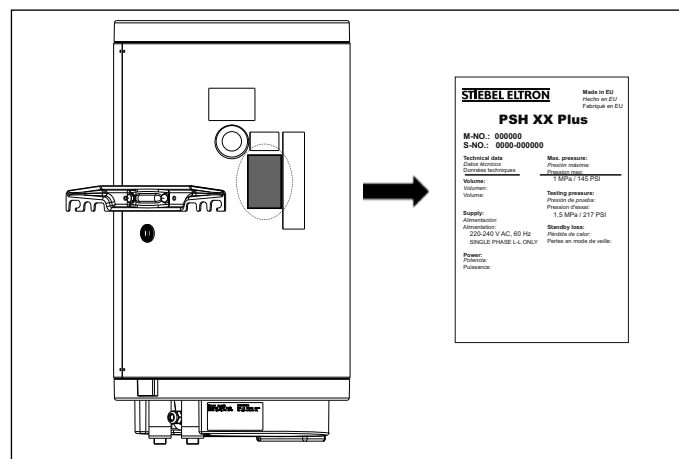
Scaling

- ④ Almost every type of water will deposit lime at high temperatures. This settles inside the appliance and affects both the performance and service life. The heating elements must therefore be descaled from time to time. A qualified technician who knows the local water quality will tell you when the next service is due. Contact the water supplier or local plumbing inspector for additional information.
- ④ Check the taps/faucets regularly. You can remove lime scale deposits at the outlets using commercially available descaling agents.
- ④ Regularly activate the T&P relief valve to prevent it from becoming blocked e.g. by lime scale deposits.

7. Troubleshooting

Problem	Cause	Remedy
The water does not heat up and the ON/OFF indicator does not illuminate.	There is no power.	Check the fuses/circuit breakers in your fuse box.
The water does not heat up sufficiently and the ON/OFF indicator is illuminated.	The temperature is set too low.	Select a higher temperature.
	The appliance is heating, for example, after large amounts of DHW have been drawn.	Wait until the ON/OFF indicator goes out.
The flow rate is low.	The aerator in the tap or shower head is scaled up or contaminated.	Clean and/or descale the aerator or shower head.

If you cannot remedy the fault, notify your qualified technician. To facilitate and speed up your inquiry, please provide the numbers from the type plate (000000 and 0000-000000):



INSTALLATION

8. Safety

Only a qualified technician should carry out installation, commissioning, maintenance and repair of the appliance.

8.1 General safety instructions

We guarantee trouble-free function and operational reliability only if original accessories and spare parts intended for the appliance are used and if the installation is performed as described in this manual.

8.2 Instructions, standards and regulations



Note

Observe all applicable national, state and local regulations and instructions.

9. Appliance description

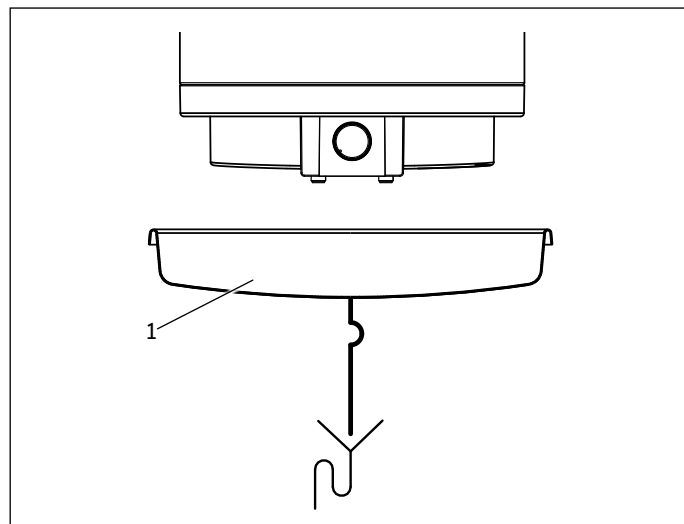
9.1 Standard delivery

The following are delivered with the appliance:

- T&P relief valve

9.2 Optional accessories

- PSH Plus drain pan [item no. 328651]



1 PSH Plus drain pan [item no. 328651]

The optional drain pan can be mounted below the appliance. The drain pan will route away water from an activated T&P relief valve or a leaking appliance.

10. Preparations



Material losses

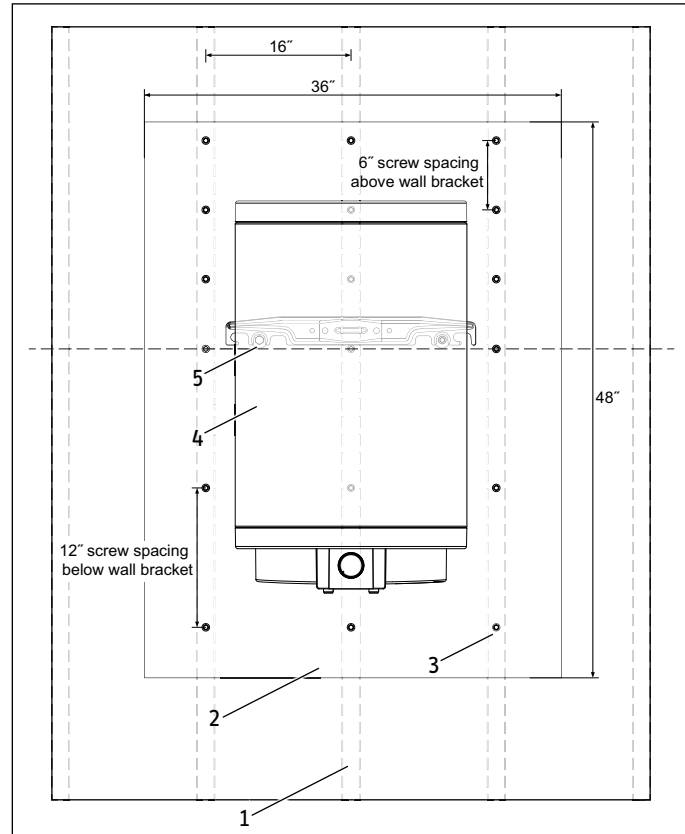
Mounting a water heater that does not meet the structural requirement needed may lead to significant damage to the water heater and the installation location.

Ensure that all fasteners used are of sufficient penetration depth into a suitable material to support the full weight of the appliance with an acceptable additional factor of safety.

Before installing the appliance, ensure that the mounting location will sufficiently hold the filled weight of the appliance with a factor of safety of at least 50%. Consult a qualified installer or a structural engineer to evaluate whether the appliance can be safely mounted in the desired location. Failure to properly evaluate the installation location for structural integrity could result in damage to the water heater and the installation location.

10.1 Installation site

The instructions below describe the mounting process for an installation space with wooden studs. If the appliance will be installed in a space without wooden studs, follow a similar construction procedure with comparable weight and loading considerations. Consult Stiebel Eltron for more information if you are unsure about mounting the appliance with the materials you have on hand.



- 1 Stud (wood, 16" on center)
- 2 3/4" plywood sheet
- 3 Wood screws (at least #10 x 2 1/2" long)
- 4 PSH Plus
- 5 Tee nut, washer, & 1/2" bolt

INSTALLATION

Preparations



Note

Ensure that the temperature knob will be accessible from the front when the appliance is secured in place.

The appliance is designed to be permanently wall-mounted to a solid surface. Ensure the wall offers adequate load bearing capacity. Consult the specification table for the filled weight of your appliance.

There should be a suitable drain near the appliance to drain off water in the case of activation of the T&P relief valve.

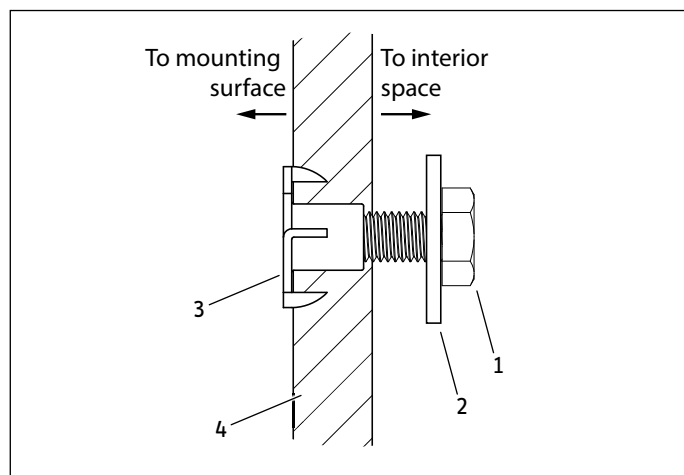
Always install the appliance vertically in a room free from the risk of freezing and as close as possible to the draw-off points.

The appliance may not be fitted in a corner since the screws for fixing the appliance to the wall must remain accessible.

10.2 Securing the plywood backing sheet

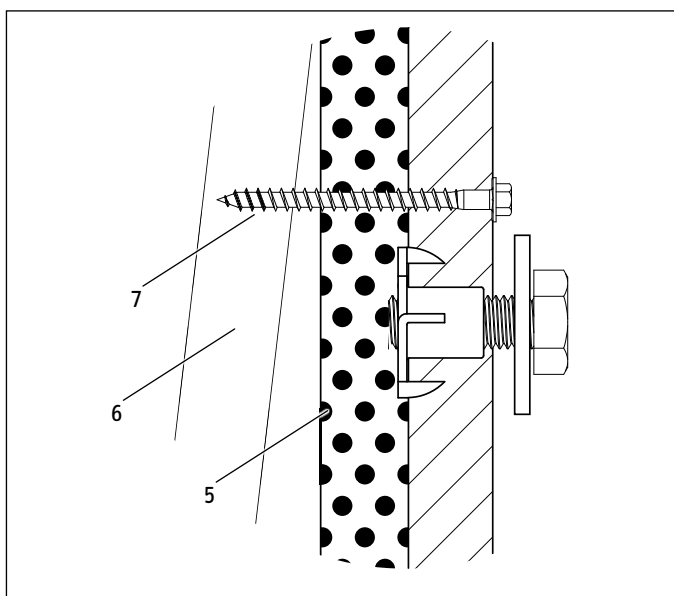
This procedure calls for mounting a $\frac{3}{4}$ " plywood sheet to the wall attaching to at least 3 wooden studs, or another wall surface using comparable means. Mount the appliance to the plywood sheet using $\frac{1}{2}$ " diameter fasteners.

- ④ Transfer the dimensions for the holes to be drilled on the plywood sheet (see chapter 16.1, "Dimensions and connections", pg. 11).
- ④ Drill a hole in the plywood to fit the $\frac{1}{2}$ " tee nuts into the back side of the sheet. Thread the $\frac{1}{2}$ " bolt and washer into the tee nut, leaving a gap for the tank to mount on.



- 1 $\frac{1}{2}$ " x $1\frac{1}{4}$ " bolt
- 2 Washer
- 3 $\frac{1}{2}$ " tee nut
- 4 $\frac{3}{4}$ " plywood

- ④ Find the wall studs and mark their location. This is the most secure means of mounting the sheet on the wall.
- ④ Secure the plywood sheet to the studs with screws at least size #10 x $2\frac{1}{2}$ " long. Space the screws every 6" above the location of the tee nuts, and every 12" below. Use a level to align the sheet horizontally.
- ④ It is recommended to mount the plywood onto 2x6 studs, but an installation on 2x4 studs is acceptable if mounted to at least 3 studs. If studs are spaced farther apart than 16", use a wider plywood sheet and make sure to mount to at least 3 studs.

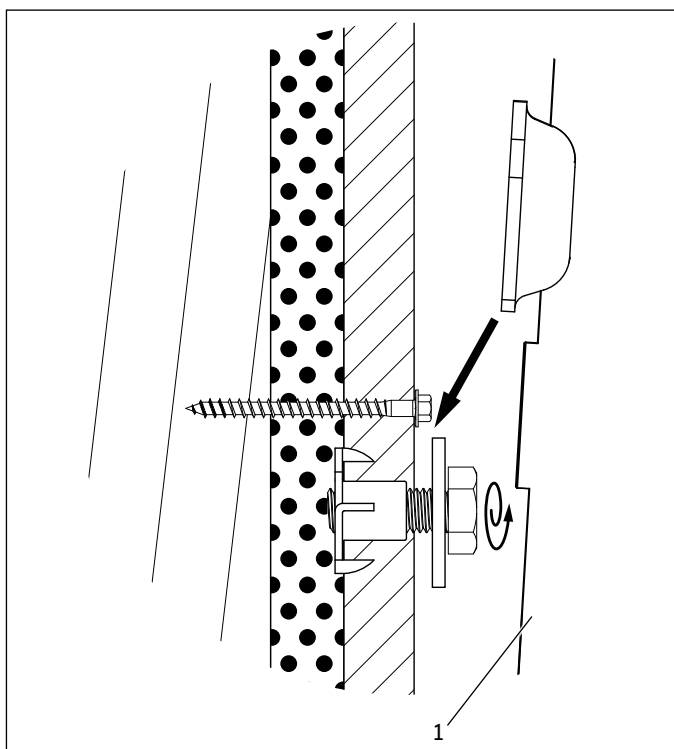


- 5 $\frac{3}{4}$ " drywall
- 6 2"x6" stud
- 7 #10 x $2\frac{1}{2}$ " wood screw

10.3 Mounting onto the plywood backing sheet

The mounting bracket attached to the appliance has hook-in slots.

- ④ Lift the appliance and mount it onto the $\frac{1}{2}$ " bolts. Make sure the washers are on the outside of the mounting bracket.



- 1 PSH Plus

- ④ Tighten the bolts onto the washer and the bracket.

11. Installation

11.1 Water connection



Material losses

Carry out all water connection and installation work in accordance with regulations.

Operate the appliance only with pressure-tested taps.

- ④ Connect the hydraulic connections with flat gaskets or with PTFE tape and pipe thread sealant. The connecting nipples are bare steel. Use only brass or stainless steel unions or adapters to connect directly to the tank.

11.1.1 Permissible materials



Material losses

When using plastic piping, observe the manufacturer's data and use piping with very low oxygen permeability.

Cold water line

Only dielectric unions, brass or stainless steel connections can be made directly to the cold and hot water line.

11.1.2 Fitting the T&P relief valve



Note

The supplied T&P relief valve must be used.



Note

If the water pressure is greater than 87 psi (0.6 MPa), install a pressure reducing valve in the "cold water inlet".

The maximum permissible pressure must not be exceeded (see chapter 16.4, "Data table", pg. 13).

- ④ Please note that, depending on the static pressure, you may need a pressure reducing valve.
- ④ Size the drain so that water can drain off unimpeded when the T&P relief valve is fully opened.
- ④ Fit the discharge pipe of the T&P relief valve with a constant downward slope and in a room free from the risk of frost.
- ④ The safety valve discharge opening must remain open to the atmosphere. Do not immerse in water.

11.2 Power supply



WARNING Electrocutation

Carry out all electrical connection and installation work in accordance with relevant regulations.

Only use a permanent connection to the power supply. The appliance must be able to be separated from the power supply by a circuit breaker that disconnects all poles. Before any work on the appliance, disconnect all poles from the power supply. Ensure that the appliance is grounded.



Material losses

Observe the type plate. The specified voltage must match the mains voltage.

12. Commissioning

12.1 Commissioning



Note

Fill the appliance with water prior to electrical connection. If you switch on the appliance while empty, the high limit safety cut-out will activate and need to be reset.

- ④ Thoroughly flush out the cold water line before connecting the appliance, so that no foreign material gets into the water heater or T&P relief valve.
- ④ Open the shut-off valve in the cold water feed line.
- ④ Open a draw-off point until the appliance has filled up and the piping is free of air.
- ④ Turn the temperature knob to maximum.
- ④ Switch the on the circuit breaker connected to the appliance.
- ④ Check the function of the appliance. Turn the temperature knob down to the minimum setting. Ensure that the thermostat switches off.
- ④ Turn the temperature knob back to the energy saving setting.
- ④ Check that the T&P relief valve is working correctly.

12.1.1 Appliance handover

- ④ Explain the function of the appliance and T&P relief valve to users and familiarize them with their operation.
- ④ Make users aware of potential dangers, especially the risk of scalding.
- ④ Hand over these instructions.

12.2 Recommissioning

See chapter 12.1, "Commissioning", pg. 9.

13. Shutting down

- ④ Disconnect the appliance from the mains at the circuit breaker/fuse. If possible, lock out the breaker so that it cannot be accidentally activated.
- ④ Drain the appliance. See chapter 15.1, "Draining the appliance", pg. 10.

14. Troubleshooting



Note

The high limit safety cut-out can activate at temperatures below 5 °F (-15 °C). The appliance may be subjected to these temperatures during storage or transport. If the appliance does not heat during the initial commissioning, the high limit safety cut-out switch may need to be reset.

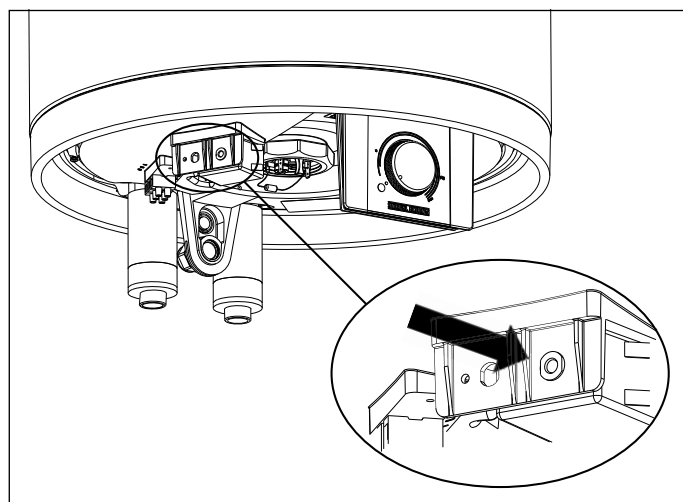
INSTALLATION

Maintenance

Fault	Cause	Remedy
The water does not heat up and the ON/OFF indicator does not illuminate.	The high limit safety cut-out has responded because the controller is faulty.	Remedy the cause of the fault. Replace the controller.
	The high limit safety cut-out has responded because the temperature has fallen below 5 °F (-15 °C).	Press the reset button (see diagram).
The water does not heat up and the ON/OFF indicator illuminates.	The heating element is faulty.	Replace the heating element.
The water does not heat up sufficiently and the ON/OFF indicator illuminates.	The temperature controller is faulty.	Replace the temperature controller.
The heat-up time is very long and the ON/OFF indicator illuminates.	The heating element is scaled up.	Descale the heating element.
The T&P relief valve drips when heating is switched off.	The valve seat is contaminated.	Clean the valve seat.
	Water pressure is too high.	Install a pressure reducing valve.
	An expansion vessel was not installed.	Install an expansion vessel in line with the appliance (see plumbing schematic).

Reset key, high limit safety cut-out

If the high limit safety cut-out has activated, it should be reset. Shut off the circuit breaker connected to the appliance before removing the bottom cover and resetting the switch.



15. Maintenance



WARNING Electrocutation

Carry out all electrical connection and installation work in accordance with relevant regulations. Before any work on the appliance, disconnect all poles of the appliance from the power supply.

If you need to drain the appliance, observe chapter 15.1, "Draining the appliance", pg. 10.

15.1 Draining the appliance



WARNING Burns

Hot water may escape during the draining process.

If it is necessary to drain the cylinder for maintenance or to protect the whole installation from freezing, proceed as follows:

- ④ Close the shut-off valve in the cold water feed line.
- ④ Open the DHW valves of all draw-off points until the appliance is fully drained.
- ④ Drain any residual water from the T&P relief valve.

15.2 Checking / replacing the sacrificial anode

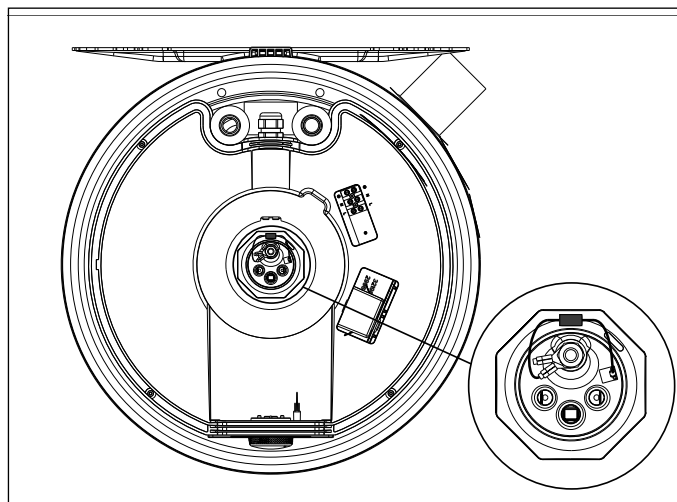
- ④ Check the sacrificial anode after the first year of use and replace if necessary.
- ④ Next, decide the time intervals at which further checks should be carried out.

15.3 Descaling

- ④ Remove loose scale deposits from the water heater.
- ④ If necessary, descale the inner cylinder with commercially available descaling agents.
- ④ Only descale the flange after disassembly and never treat the cylinder surface and sacrificial anode with descaling agents.

15.4 Anti-corrosion protection

Ensure that while carrying out maintenance work the anti-corrosion protection resistor (560 Ω) is not damaged or removed. Reinsert the anti-corrosion protection correctly after replacement.



15.5 Replacing the power cable

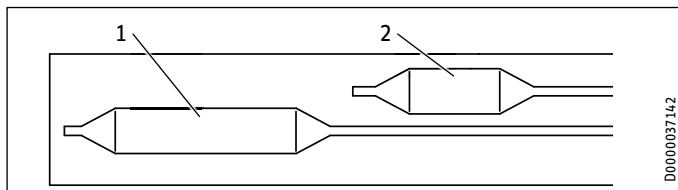


DANGER Electrocutation

The power cable must only be replaced (for example if damaged) by a qualified technician.

INSTALLATION Specification

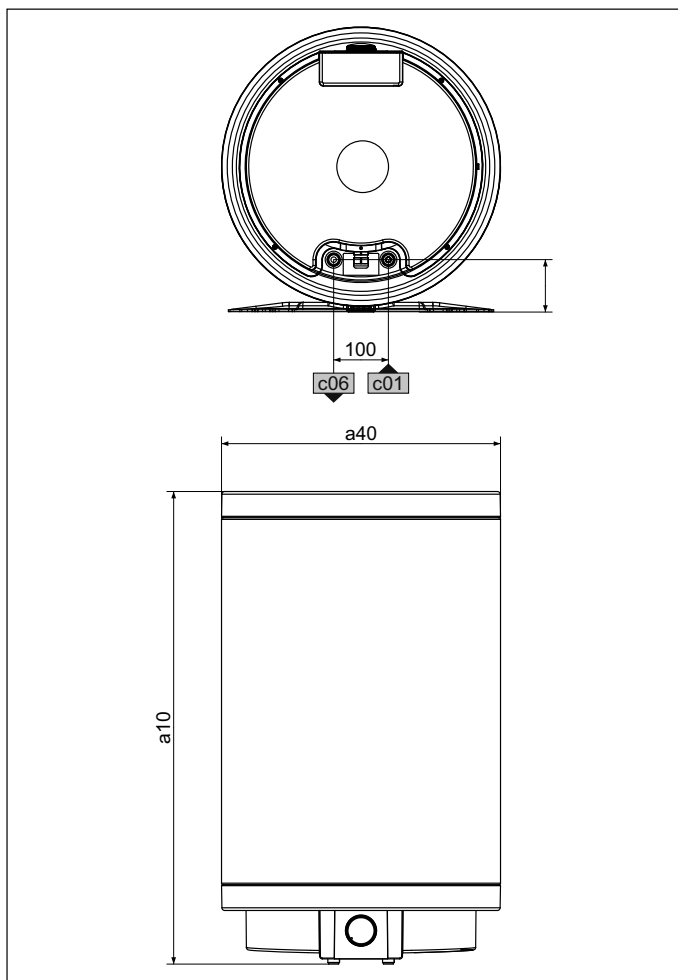
15.6 Replacing the combined controller/limiter



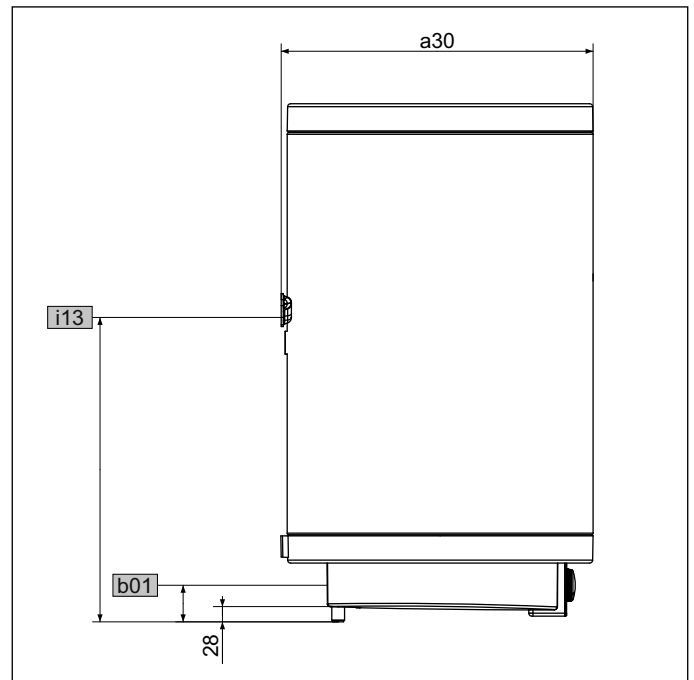
- 1 Controller sensor
 - 2 Limiter sensor
- ④ Insert the controller sensor and the limiter sensor into the sensor well as far as they will go.

16. Specification

16.1 Dimensions and connections

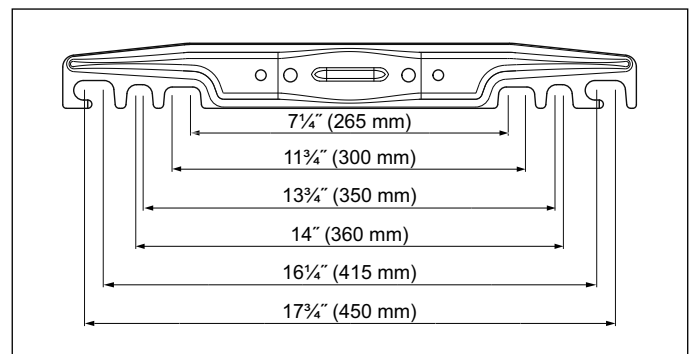


		PSH 20 Plus	PSH 30 Plus
a10	Appliance Height	36 ¹ / ₄ " (922 mm)	48 ³ / ₈ " (1229mm)
a40	Appliance Diameter	20" (510 mm)	20" (510 mm)
c01	Cold water inlet Male thread	3/4" NPT male	3/4" NPT male
	Rear clearance	3 ³ / ₄ " (95 mm)	3 ³ / ₄ " (95 mm)
c06	DHW outlet Male thread	3/4" NPT male	3/4" NPT male
	Rear clearance	3 ³ / ₄ " (95 mm)	3 ³ / ₄ " (95 mm)



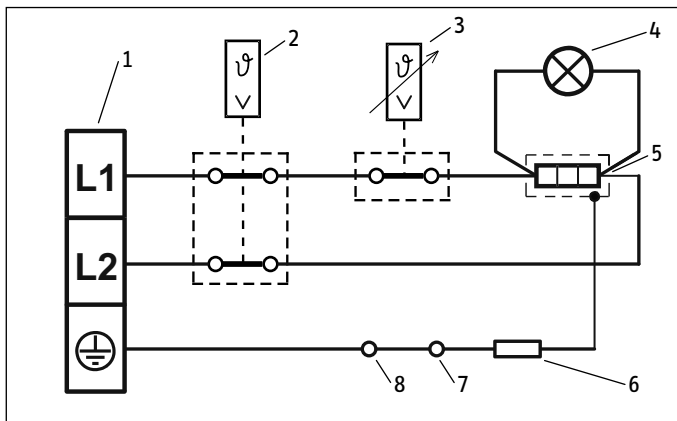
		PSH 20 Plus	PSH 30 Plus
a30	Appliance Depth	20 ¹ / ₂ " (520 mm)	20 ¹ / ₂ " (520 mm)
b01	Electrical cable entry Threaded fitting	PG 16	PG 16
	Height	2 ³ / ₈ " (61 mm)	2 ³ / ₈ " (61 mm)
i13	Mounting bracket Height	20 ¹ / ₂ " (521 mm)	32 ¹ / ₂ " (826 mm)

Wall mounting bracket



INSTALLATION Specification

16.2 Wiring diagram

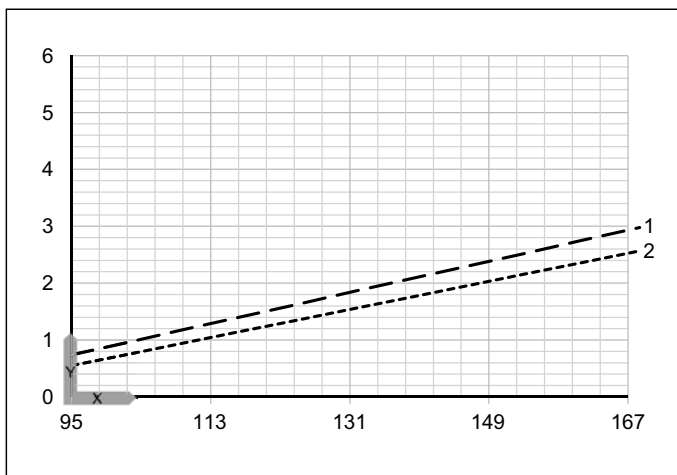


- 1 Wiring block
- 2 High limit safety cut-out
- 3 Temperature controller
- 4 ON/OFF indicator
- 5 Heating element
- 6 Resistor (560 Ω)
- 7 Anode
- 8 Cylinder

16.3 Heat-up diagrams

The heat-up time depends on the cylinder capacity, cold water inlet temperature and heating output.

Graph assumes 59 °F (15 °C) cold water inlet temperature:



- X Temperature setting [°F]
- Y Heat-up time [h]
- 1 PSH 30 Plus
- 2 PSH 20 Plus

INSTALLATION Specification

16.4 Data table

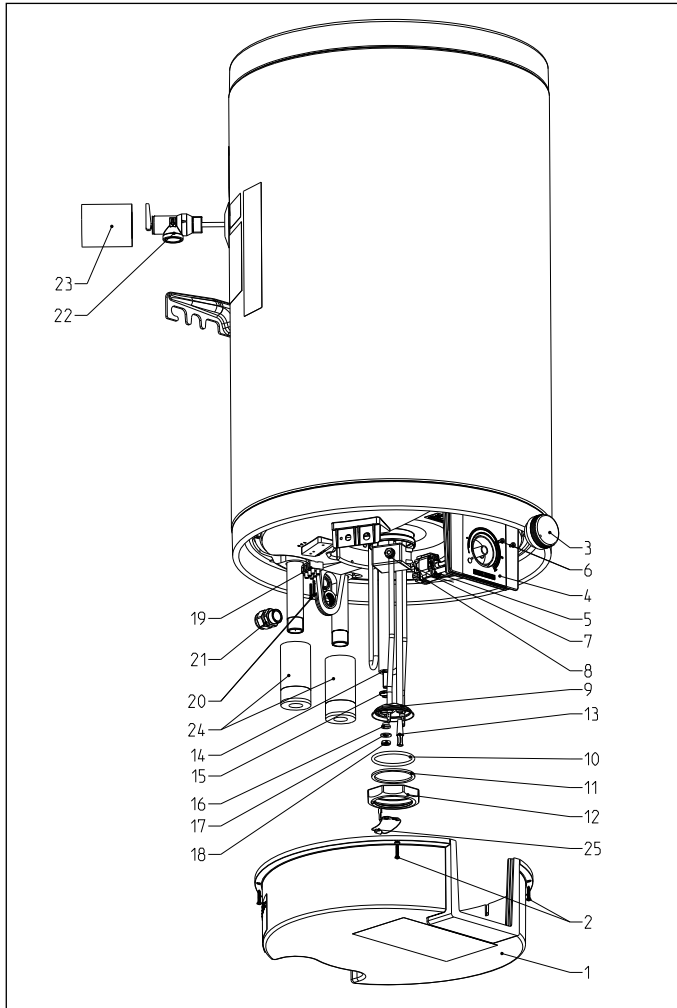
	PSH 20 Plus	PSH 30 Plus
Part number	235968	235969
Hydraulic data		
Nominal capacity	21 gal (80 l)	32 gal (120 l)
Mixed water volume 104°F [59°F-->149°F] (40°C [15°C-->65°C])	37 gal (139 l)	58 gal (221 l)
Water connections	¾" NPT	¾" NPT
Electrical data		
Phase	1/N/GND	1/N/GND
Frequency	50/60 Hz	50/60 Hz
Rated voltage	220-240 V	220-240 V
Wattage	3.267 kW	3.267 kW
Amperage draw	13.6 A	13.6 A
Min. required circuit breaker ¹	15 A	15 A
Min. recommended wire size (copper) ²	14 AWG	14 AWG
Heat-up time, 59°F-->140°F (15°C-->60°C)	1.31 hr	1.97 hr
Application limits		
Temperature setting range	86-167 °F (30-75 °C)	86-167 °F (30-75 °C)
Max. permissible pressure	150 psi (1.0 MPa)	150 psi (1.0 MPa)
Test pressure	217 psi (1.5 MPa)	217 psi (1.5 MPa)
Max. permissible temperature	203 °F (95 °C)	203 °F (95 °C)
Min./max. conductivity, drinking water	100-1500 µS/cm	100-1500 µS/cm
Energy data		
Standby energy consumption/24 hr at 149 °F (65 °C)	0.729 kWh	1.073 kWh
Versions		
IP rating	IP25	IP25
Frost protection setting	42 °F (27 °C)	42 °F (27 °C)
Color	white	white
Dimensions		
Height	34 ¼" (871 mm)	48 ¾" (1178 mm)
Depth	20 ½" (520 mm)	20 ½" (520 mm)
Diameter	20" (510 mm)	20" (510 mm)
Weights		
Weight, full	238.5 lb (108.2 kg)	350.8 lb (159.1 kg)
Weight, empty	62.2 lb (28.2 kg)	86.2 lb (39.1 kg)

¹ PSH Plus wall-mounted water heaters are considered a non-continuous load.

² Copper conductors must be used. Conductors should be sized to maintain a voltage drop of less than 3% under load.

INSTALLATION Specification

16.5 Spare parts



No.	Spare part	PSH 20 Plus	PSH 30 Plus
1	Cap 510	322172	322172
2	Screw 7981-3,9x22-C-Z		
3	Knob pl.	299865	299865
4	Front sticker STE	328077	328077
5	Glow lamp TBF/SLTS	321989	321989
6	Screw M4x6 B DIN 7985-4.8 A3F 2		
7	Thermostat GTLH 11	322943	322943
8	Thermal fuse	298433	298433
9	Heating element 3000 W	321979	321979
10	Flange gasket	315024	315024
11	Insulation ring	315038	315038
12	Union nut	315023	315023
13	Rubber bolt	268821	268821
14	Sacrificial anode	286093	286095
15	Anode gasket	286097	286097
16	Bushing pl.	270957	270957
17	Washer 125-A 8,4-140 HV-ZN		
18	Nut I4035-M 8-05-ZN		
19	Terminal block 10 E/3	309566	309566
20	Screw DIN 7981-2,9x22		
21	Fitting PG 16	312207	312207
22	T&P valve 3/4"	294545	294545
23a	Insulation T&P valve 80x68	323812	323812
23b	Insulation T&P valve 80x68	326658	326658
24	Insulating sleeve 22x90	323811	323811
25	Resistor compl.	292907	292907
	Cable loop	321988	321988
	Insulating bushing	315540	315540

17. Warranty

Subject to the terms and conditions set forth in this limited warranty, Stiebel Eltron, Inc. (the “Manufacturer”) hereby warrants to the original purchaser (the “Owner”) that each PSH Plus Domestic Hot Water Heater (the “Heater”) shall not (i) leak due to defects in the Manufacturer’s materials or workmanship for a period of six (6) years from the date of purchase or (ii) fail due to defects in the Manufacturer’s materials or workmanship for a period of two (2) years from the date of purchase. As Owner’s sole and exclusive remedy for breach of the above warranty, Manufacturer shall, at the Manufacturer’s discretion, send replacement parts for local repair; retrieve the unit for factory repair, or replace the defective Heater with a replacement unit with comparable operating features. Manufacturer’s maximum liability under all circumstances shall be limited to the Owner’s purchase price for the Heater.

This limited warranty shall be the exclusive warranty made by the Manufacturer and is made in lieu of all other warranties, express or implied, whether written or oral, including, but not limited to warranties of merchantability and fitness for a particular purpose. Manufacturer shall not be liable for incidental, consequential or contingent damages or expenses arising directly or indirectly from any defect in the Heater or the use of the Heater. Manufacturer shall not be liable for any water damage or other damage to property of Owner arising, directly or indirectly, from any defect in the Heater or the use of the Heater. Manufacturer alone is authorized to make all warranties on Manufacturer’s behalf and no statement, warranty or guarantee made by any other party shall be binding on Manufacturer.

Manufacturer shall not be liable for any damage whatsoever relating to or caused by:

1. any misuse or neglect of the Heater, any accident to the Heater, any alteration of the Heater, or any other unintended use;
2. acts of God and circumstances over which Manufacturer has no control;
3. installation of the Heater other than as directed by Manufacturer and other than in accordance with applicable building codes;

4. failure to maintain the Heater or to operate the Heater in accordance with the Manufacturer’s specifications;
5. operation of the Heater under fluctuating or excessive water pressure or in the event the Heater is supplied with non-potable water, for any duration;
6. improper installation and/or improper materials used by any installer and not relating to defects in parts or workmanship of Manufacturer;
7. moving the Heater from its original place of installation;
8. exposure to freezing conditions;
9. water quality issues such as corrosive water, hard water, and water contaminated with pollutants or additives;
10. not continuously supplying the unit with water aka “dry-firing”.

Should Owner wish to return the Heater to Manufacturer for repair or replacement under this warranty, Owner must first secure written authorization from Manufacturer. Owner shall demonstrate proof of purchase, including a purchase date, and shall be responsible for all removal and transportation costs. If Owner cannot demonstrate a purchase date this warranty shall be limited to the period beginning from the date of manufacture stamped on the Heater. Manufacturer reserves the right to deny warranty coverage upon Manufacturer’s examination of the Heater. This warranty is restricted to the Owner and cannot be assigned.

Some States and Provinces do not allow the exclusion or limitation of certain warranties. In such cases, the limitations set forth herein may not apply to the Owner. In such cases this warranty shall be limited to the shortest period and lowest damage amounts allowed by law. This warranty gives you specific legal rights and you may also have other rights which vary from State to State or Province to Province.

Owner shall be responsible for all labor and other charges incurred in the removal or repair of the Heater in the field. Please also note that the Heater must be installed in such a manner that if any leak does occur, the flow of water from any leak will not damage the area in which it is installed.



The installation, electrical connection and first operation of this appliance should be carried out by a qualified installer.



The company does not accept liability for failure of any goods supplied which have not been installed and operated in accordance with the manufacturer’s instructions.

Environment and recycling

Please help us to protect the environment by disposing of the packaging in accordance with the national regulations for waste processing.

This Warranty is valid for U.S.A. & Canada only. Warranties may vary by country. Please consult your local Stiebel Eltron Representative for the Warranty for your country.

D'INFORMATION SPÉCIALE

FONCTIONNEMENT

1. Généralités	18
1.1 Consignes de sécurité	18
1.2 Autres symboles dans cette documentation	18
2. Sécurité	18
2.1 Utilisation conforme	18
2.2 Consignes de sécurité générales	18
2.3 Symboles de test	19
3. Inscrivez votre produit	19
4. Description de l'appareil	19
5. Paramètres	19
5.1 Congé et absence	20
6. Nettoyage, entretien et maintenance	20
7. Dépannage	20

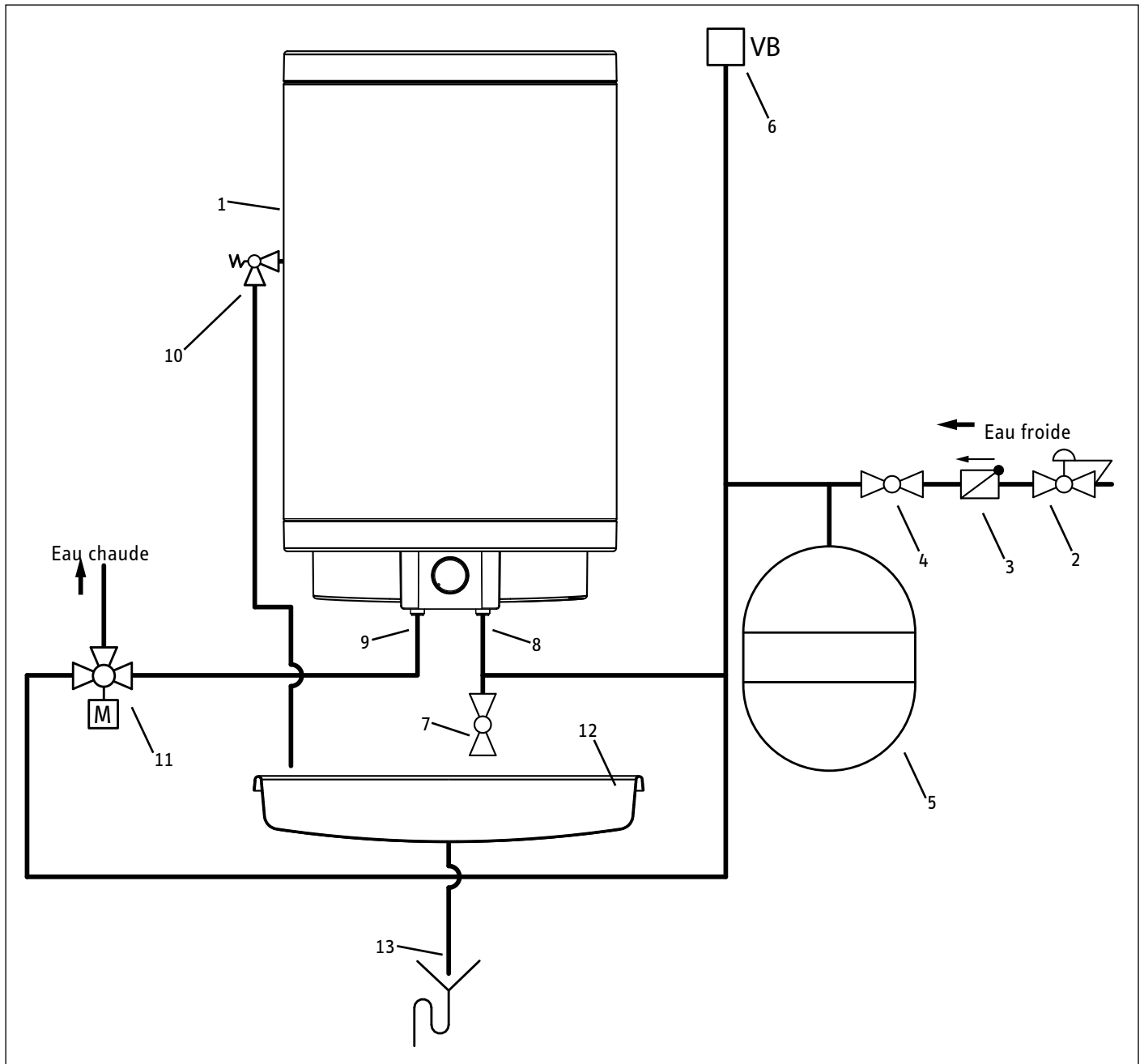
INSTALLATION

8. Sécurité	21
8.1 Consignes de sécurité générales	21
9. Description de l'appareil	21
9.1 Livraison standard	21
9.2 Accessoires optionnels	21
10. Préparations	21
10.1 Site d'installation	21
10.2 Fixation de la feuille de support en contreplaqué	22
10.3 Montage sur le contreplaqué	22
11. Installation	23
11.1 Raccordement de l'eau	23
11.2 Source de courant	23
12. Mise en service	23
12.1 Mise en service	23
12.2 Remise en service	23
13. Mise hors	24
14. Dépannage	24
15. Entretien	24
15.1 Vidange de l'appareil	24
15.2 Contrôle / remplacement de l'anode sacrificielle	24
15.3 Détartrage	24
15.4 Protection anti-corrosion	25
15.5 Remplacement du câble d'alimentation	25
15.6 Remplacement du régulateur / limiteur combiné	25
16. Spécification	25
16.1 Dimensions et raccordements	25
16.2 Schéma de câblage	26
16.3 Diagrammes de réchauffement	26
16.4 Tableau de données	27
16.5 Pièces de rechange	28
17. Garantie	29

D'INFORMATION SPÉCIALE

- Utilisez uniquement une connexion permanente à l'alimentation. L'appareil doit pouvoir être séparé de l'alimentation électrique par un disjoncteur qui déconnecte tous les pôles.
- Montez l'appareil comme décrit au chapitre 10 «Préparations», p. 21.
- Respectez la pression maximale admissible (voir chapitre 16.4 «Tableau de données», p. 27).
- Vidanger l'appareil comme décrit au chapitre 15.1 «Vidange de l'appareil», p. 24.
- Dimensionner le drain de manière à ce que l'eau puisse s'écouler sans soupape de entrave lorsque la surpression T & P est complètement ouverte.
- Placer le tuyau de décharge de la soupape de sûreté T & P avec une pente constante et dans une pièce exempte de gel.
- L'ouverture de décharge de la soupape de sécurité doit rester ouverte dans l'atmosphère. Ne pas plonger dans l'eau.

Plomberie suggéré pour PSH Plus



- 1 PSH Plus
- 2 Réducteur de pression (0.48 MPa [70 psi], requis, non fourni)
- 3 Clapet anti-retour (recommandé, non fourni)
- 4 Clapet à bille (recommandé, non fourni)
- 5 Vase d'expansion (requis, non fourni)
- 6 Disjoncteur à vide (requis, non fourni)
- 7 Robinet de vidange de la chaudière (recommandé) , non fourni)
- 8 Entrée d'eau froide
- 9 Sortie d'eau chaude
- 10 Soupape de décharge de température et pression (1.03 MPa [150 psi], fournie)
- 11 Vanne de mélange (recommandée, non fournie)
- 12 Bac de vidange PSH Plus (recommandé, non fourni, no. d'article 328651)
- 13 Drain

FONCTIONNEMENT

1. Généralités

Les chapitres intitulés « Renseignements spéciaux » et « Fonctionnement » sont prévus pour les utilisateurs de l'appareil et les entrepreneurs spécialisés.

Le chapitre « Installation » est à l'attention des entrepreneurs spécialisés.



Remarque

Lisez attentivement ces directives avant d'utiliser l'appareil puis mettez-les de côté pour référence ultérieure. Transférez ce document à toute personne qui utilisera l'appareil.

1.1 Consignes de sécurité

1.1.1 Structure des consignes de sécurité



MENTION D'AVERTISSEMENT: Nature du danger
Sont indiqués ici les risques éventuellement encourus en cas de non-respect de la consigne de sécurité. Sont indiqués ici les mesures permettant de pallier au danger.

1.1.2 Symboles, nature du danger

Symbole	Nature du danger
	Blessure
	Électrocution
	Brûlure

1.2 Autres symboles dans cette documentation



AVERTISSEMENT

Brûlures Remarque Les informations générales sont identifiées par le symbole illustré à gauche.

► Lisez attentivement ces textes.

Symbole	Signification
	Endommagements de l'appareil et pollution de l'environnement
	Recyclage de l'appareil

2. Sécurité

2.1 Utilisation conforme

L'appareil est destiné au chauffage de l'eau chaude sanitaire et peut fournir un ou plusieurs points de prélèvement.

Cet appareil est prévu pour un usage ménager, c'est-à-dire qu'il peut être utilisé en toute sécurité par des personnes non formées. Cet appareil peut également être utilisé en dehors d'un usage ménager, par exemple dans une petite entreprise, tant que son usage reste le même.

Tout autre usage au-delà de l'usage décrit sera jugé inapproprié. L'usage correct comprend également le respect de ces directives et de toutes les directives relatives aux accessoires utilisés de concert avec cet appareil.

L'observation de ces instructions et des instructions concernant les éventuelles consignes de mises à jour des fait également partie de l'utilisation correcte de cet appareil.



ATTENTION

Pour réduire le risque de pression et de température excessives dans ce chauffe-eau, installez un équipement de protection de la température et de la pression requis par les codes locaux et une soupape de décharge combinée certifiée par un laboratoire d'essai l'équipement ou les matériaux, répondant aux exigences relatives aux soupapes de sûreté et aux dispositifs d'arrêt automatique du gaz pour les systèmes d'alimentation en eau chaude, ANSI Z21.22.

La soupape doit être marquée avec une pression maximale fixée pour ne pas dépasser la pression de service maximale indiquée du chauffe-eau, et orienter ou fournir une tubulure de sorte que toute décharge de la soupape ne dépasse pas de plancher structurel et ne touche aucune pièce électrique sous tension. L'ouverture de décharge ne doit en aucun cas être obstruée ou réduite.

2.2 Consignes de sécurité générales



AVERTISSEMENT Brûlures

Pendant le fonctionnement, le robinet et la soupape de surpression T & P peuvent atteindre des températures supérieures à 60 °C (140 °F).

Il existe un risque de brûlure à des températures de sortie supérieures à 43 °C (109 °F).



PERTES MATÉRIELLES

L'utilisateur doit isoler les conduites d'eau et la soupape de sûreté T & P pour les protéger du gel.

OPERATION

Inscrivez votre produit



REMARQUE

L'appareil est sous pression. Pendant le processus de réchauffement, l'eau se dilatera et la pression augmentera. Sans vase d'expansion, l'eau s'égouttera de la soupape de surpression T & P.

- ▶ Assurez-vous qu'un vase d'expansion est installé en ligne avec le chauffe-eau.
- ▶ Si l'eau continue à couler à la fin du chauffage, veuillez en informer l'installateur.

2.3 Symboles de test

Reportez-vous à la plaque signalétique de l'appareil pour obtenir des informations sur les tests et les détails de la certification.

3. Inscrivez votre produit



Vous devez inscrire votre produit dans les 90 jours qui suivent la date d'achat sur notre site internet pour activer la garantie normale ou pour pouvoir réclamer la garantie prolongée. Rendez-vous à notre site internet à l'adresse suivante : www.stiebel-eltron-usa.com et cliquez sur « Register Your Product » (inscrivez votre produit).

Avant de lancer le processus d'inscription, nous vous conseillons d'avoir à portée de main la documentation nécessaire, à savoir :

Modèle (Exemple: PSH 20 Plus): _____

Numéro apparaissant après « Nr, »: _____

Lieu d'achat: _____

Date d'achat: _____

Prénom et nom de famille: _____

Adresse courriel: _____

Adresse postale: _____

Numéro de téléphone: _____

En cas de questions à propos du processus d'inscription ou des options pour la garantie, veuillez contacter Stiebel Eltron USA directement en composant le (800)-582-8423.

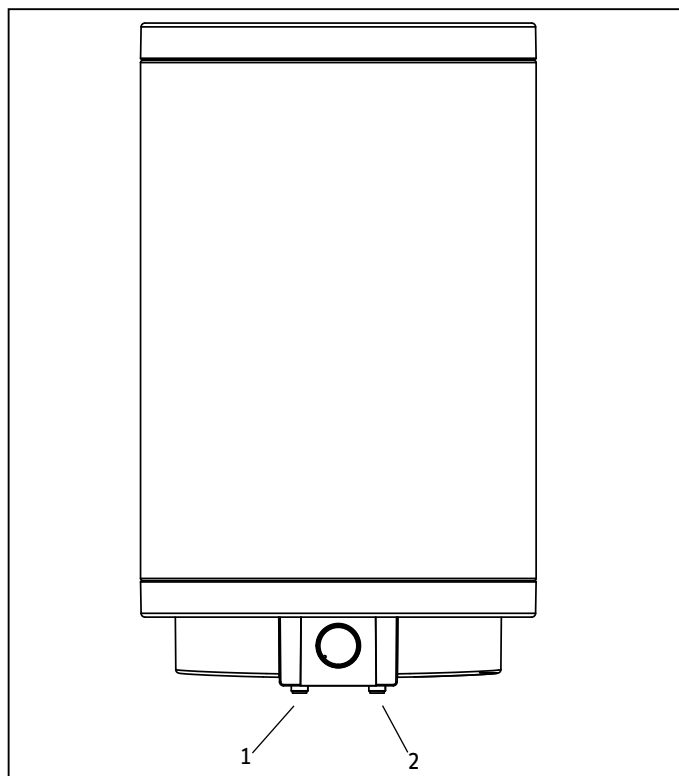
4. Description de l'appareil

L'appareil chauffe l'eau chaude sanitaire à l'aide d'un élément de résistance électrique. Vous pouvez ajuster la température à l'aide du bouton de température. L'eau est chauffée automatiquement à la température requise.

Le cylindre en acier interne est recouvert d'émail spécial "Co Pro" et est équipé d'une anode sacrificielle. L'anode protège l'intérieur du réservoir de la corrosion. Lorsque l'anode sacrificielle sera usée, elle devra être remplacée.

Protection antigel

L'appareil est également protégé contre le gel par le réglage de température "*", à condition que l'appareil soit alimenté. L'appareil s'allume si nécessaire et chauffe l'eau pour éviter le gel. La mesure de protection contre le gel ne protège pas les conduites d'alimentation en eau et la soupape de sûreté T & P contre le gel.

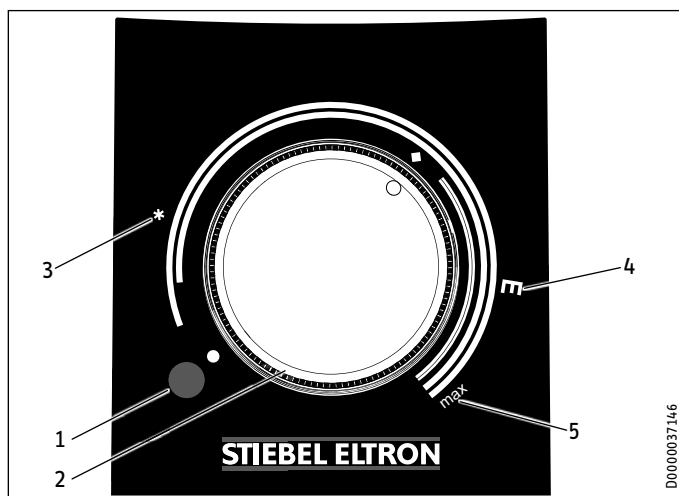


- 1 Embout de sortie d'eau chaude
- 2 Embout d'entrée d'eau froide

5. Paramètres

La température peut être librement ajustée. Il est réglé en usine à 52 °C (125 °F).

Tournez le bouton dans le sens des aiguilles d'une montre pour augmenter le réglage de la température et dans le sens inverse pour le diminuer.



- 1 Indicateur ON / OFF
- 2 Bouton de température
- 3 Protection antigel
- 4 Position d'économie d'énergie recommandée, mise à l'échelle faible, 60 °C (140 °F)
- 5 Réglage de la température maximale 75 °C (167 °F)

Selon le système, les températures d'eau réelles aux points de prélèvement peuvent être inférieures à la valeur définie.



AVERTISSEMENT Brûlures

Il existe un risque de brûlure à des températures de sortie dépassant 43 °C (109 °F). Le réglage de la température au-dessus de 125 °F (52 °C) n'est pas recommandé sans l'installation d'une vanne mélangeuse.

Indicateur ON / OFF

L'indicateur ON / OFF s'allume lorsque de l'eau est en train d'être chauffée.

5.1 Congé et absence

- ▶ Si l'appareil ne doit pas être utilisé pendant quelques jours, placez le bouton de réglage de la température entre la protection antigel et les réglages d'économie d'énergie.
- ▶ Si l'appareil ne doit pas être utilisé pendant une période prolongée, réglez-le sur protection antigel pour économiser de l'énergie. S'il n'y a pas de risque de gel, vous pouvez débrancher l'appareil de l'alimentation électrique.
- ▶ Pour protéger contre les légionelles, chauffez l'eau une fois à 60 °C (140 °F) avant d'utiliser à nouveau de l'eau chaude.

6. Nettoyage, entretien et maintenance

- ▶ Faites vérifier régulièrement la sécurité électrique de l'appareil et la fonction de la soupape de sûreté T & P par un technicien qualifié.
- ▶ Faites vérifier l'anode sacrificielle par un technicien qualifié après la première année. Le technicien qualifié doit alors déterminer les intervalles auxquels il doit être vérifié par la suite.
- ▶ N'utilisez jamais de produits nettoyants abrasifs ou corrosifs. Un chiffon humide suffit pour nettoyer l'extérieur de l'appareil.

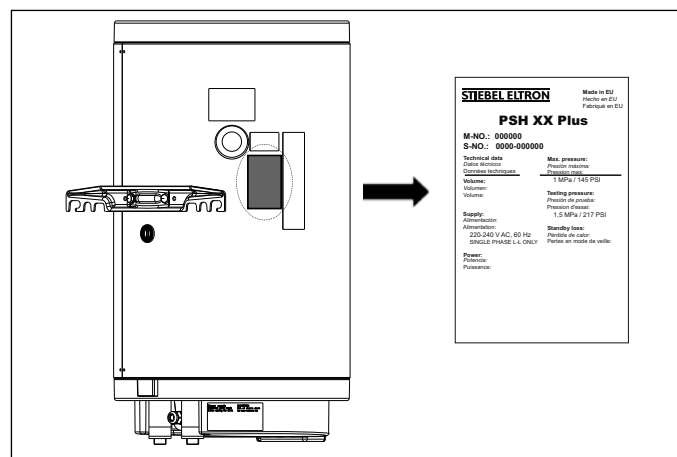
Mise à l'échelle

- ▶ Presque tous les types d'eau déposent de la chaux à haute température. Cela s'installe à l'intérieur de l'appareil et affecte à la fois les performances et la durée de vie. Les éléments chauffants doivent donc être détartés de temps en temps. Un technicien qualifié, connaissant la qualité de l'eau locale, vous indiquera le prochain service. Contactez le fournisseur d'eau ou l'inspecteur de plomberie local pour plus d'informations.
- ▶ Vérifiez régulièrement les robinets. Vous pouvez éliminer les dépôts de calcaire au niveau des sorties à l'aide d'agents de détartage disponibles dans le commerce.
- ▶ Activer régulièrement la soupape de sûreté T & P pour éviter qu'elle ne soit bloquée, par exemple par des dépôts de calcaire.

7. Dépannage

Problème	Cause	Remède
L'eau ne chauffe pas et le témoin ON / OFF ne s'allume pas.	Il n'y a pas de pouvoir.	Vérifiez les fusibles / disjoncteurs dans votre boîte à fusibles.
L'eau ne chauffe pas suffisamment et l'indicateur ON / OFF est allumé.	La température est trop basse. L'appareil chauffe, par exemple, après avoir prélevé de grandes quantités d'eau chaude.	Sélectionnez une température plus élevée. Attendez que le témoin ON / OFF s'éteigne.
Le débit est faible.	L'aérateur du robinet ou de la pomme de douche est mis à l'échelle ou contaminé.	Nettoyez et / ou détartez l'aérateur ou la pomme de douche.

Appelez un installateur si vous ne réussissez pas à éliminer la cause. Donnez-lui le numéro indiqué sur la plaque signalétique pour qu'il puisse vous aider plus rapidement et plus efficacement (000000-0000-000000):



INSTALLATION

8. Sécurité

Seul un technicien qualifié doit effectuer l'installation, la mise en service, la maintenance et la réparation de l'appareil.

8.1 Consignes de sécurité générales

Nous garantissons un fonctionnement sans problème et une fiabilité de fonctionnement uniquement si les accessoires d'origine et les pièces de rechange destinés à l'appareil sont utilisés et si l'installation est effectuée comme décrit dans ce manuel.



REMARQUE

Respectez toutes les réglementations et instructions nationales, régionales et locales.

9. Description de l'appareil

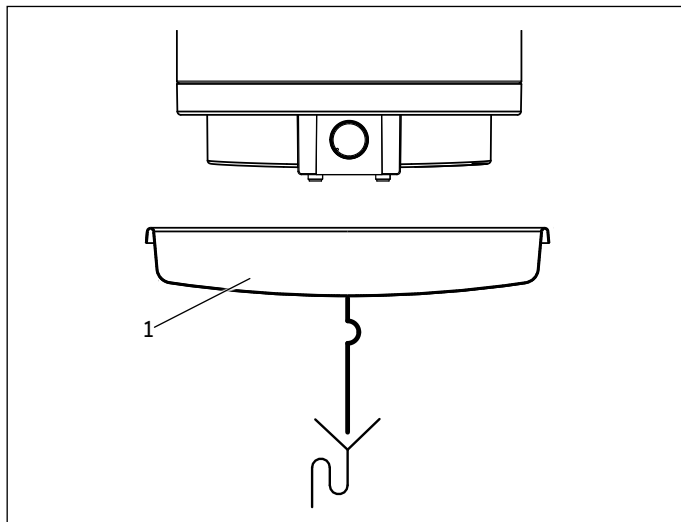
9.1 Livraison standard

Livré avec l'appareil:

- Soupape de surpression T & P

9.2 Accessoires optionnels

- Bac de vidange PSH Plus [no. d'article 328651]



1 Bac de vidange PSH Plus [no. d'article 328651]

Le bac de vidange en option peut être monté sous l'appareil. Le bac de vidange évacue l'eau d'une soupape de décharge T & P activée ou d'un appareil qui fuit.

10. Préparations



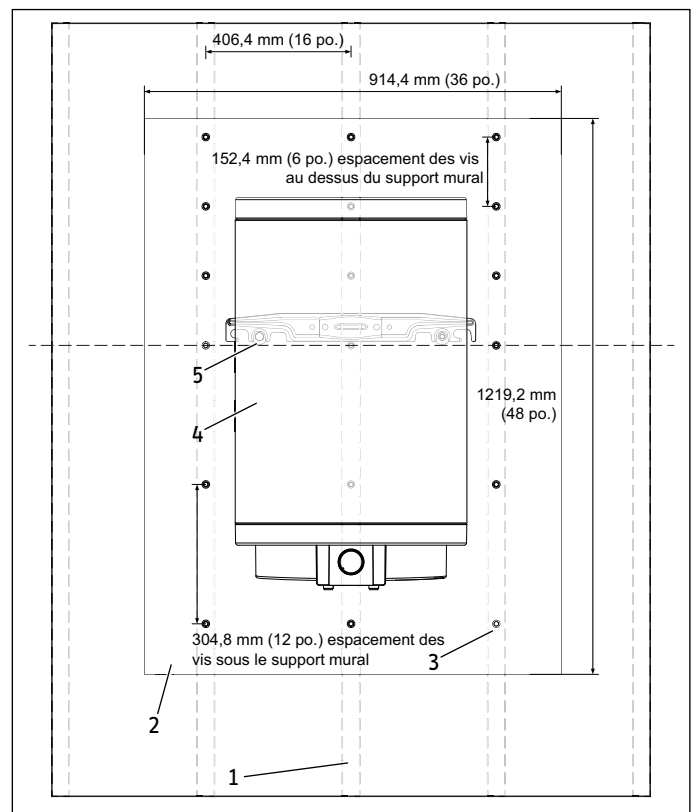
PERTES MATÉRIELLES

Pertes de matière Le montage d'un chauffe-eau qui ne répond pas aux exigences structurelles peut entraîner des dommages importants au chauffe-eau et au lieu d'installation. Assurez-vous que toutes les attaches utilisées ont une profondeur de pénétration suffisante dans un matériau approprié pour supporter tout le poids de l'appareil avec un facteur de sécurité supplémentaire acceptable.

Avant d'installer l'appareil, assurez-vous que l'emplacement de montage maintiendra suffisamment le poids rempli de l'appareil avec un facteur de sécurité d'au moins 50%. Consultez un installateur qualifié ou un ingénieur en structure pour savoir si l'appareil peut être monté en toute sécurité à l'emplacement souhaité. Si vous n'évaluez pas correctement le lieu d'installation pour l'intégrité structurelle, vous risquez d'endommager le chauffe-eau et l'emplacement de l'installation.

10.1 Site d'installation

Les instructions ci-dessous décrivent le processus de montage pour un espace d'installation avec des montants en bois. Si l'appareil est installé dans un espace sans poteaux en bois, suivez une procédure de construction similaire avec un poids et des contraintes de chargement comparables. Consultez Stiebel Eltron pour plus d'informations si vous n'êtes pas sûr du montage de l'appareil avec les matériaux dont vous disposez.



- 1 Goujon (bois, 304,8 mm [16 po.] centre à centre)
- 2 3/4" feuille de contreplaqué
- 3 Vis bois (#10 x 2 1/2 po. long)
- 4 PSH Plus
- 5 T écrou, rondelle, & 1/2 po. boulon

INSTALLATION

Préparations



REMARQUE

Assurez-vous que le bouton de température sera accessible par l'avant lorsque l'appareil est fixé en place.

L'appareil est conçu pour être fixé au mur de manière permanente sur une surface solide. Assurez-vous que le mur offre une capacité de charge adéquate. Consultez le tableau de spécifications pour le poids rempli de votre appareil.

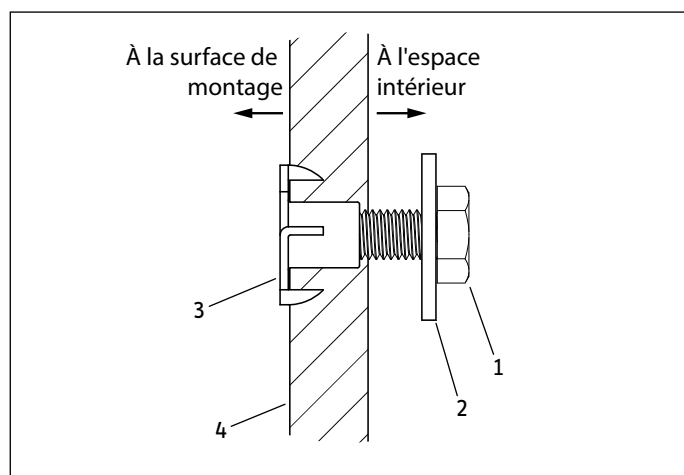
En cas d'activation de la soupape de décharge T & P, il doit y avoir un drain approprié près de l'appareil pour évacuer l'eau.

Toujours installer l'appareil verticalement dans une pièce sans risque de gel et aussi près que possible des points de prélèvement. L'appareil ne doit pas être installé dans un coin car les vis de fixation de l'appareil au mur doivent rester accessibles.

10.2 Fixation de la feuille de support en contreplaqué

Cette procédure nécessite l'installation d'une feuille de contreplaqué de 3/4" montants de bois ou une autre surface murale en utilisant des moyens comparables. Montez l'appareil sur la feuille de contreplaqué en utilisant des attaches de 1/2 po. de diamètre.

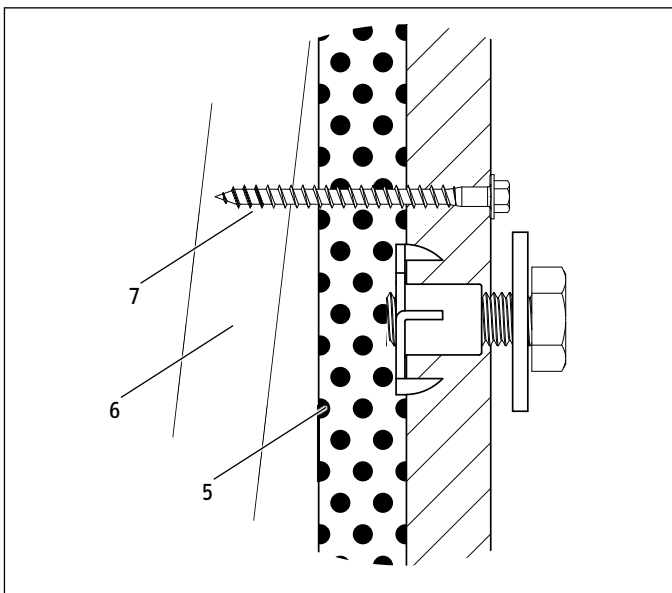
- ▶ Transférez les dimensions des trous à percer sur la feuille de contreplaqué (voir chapitre 16.1 «Dimensions et raccorde-ments», p. 25).
- ▶ Percez un trou dans le contreplaqué pour fixer les écrous de 1/2" dans la partie arrière de la feuille. Enfilez le boulon et la rondelle 1/2 po. dans l'écrou té, en laissant un espace pour le réservoir.



- 1 1/2 po. x 1 1/4 po. boulon
- 2 Rondelle
- 3 1/2 po. écrou en T
- 4 3/4 po. contreplaqué bois

- ▶ Trouvez les montants du mur et marquez leur emplacement. C'est le moyen le plus sûr de monter la feuille sur le mur.
- ▶ Fixez la feuille de contreplaqué aux goujons à l'aide de vis d'au moins #10 x 2 1/2 po. Espacez les vis tous les 6 po. au-dessus de l'emplacement des écrous en T et tous les 12 po. ci-dessous. Utilisez un niveau pour aligner la feuille horizontalement.

- ▶ Il est recommandé de monter le contreplaqué sur des goujons 2x6, mais une installation sur des goujons 2x4 est acceptable s'il est monté sur au moins 3 goujons. Si les montants sont espacés de plus de 16 po., utilisez une feuille de contreplaqué plus large et assurez-vous de la fixer à au moins 3 montants.

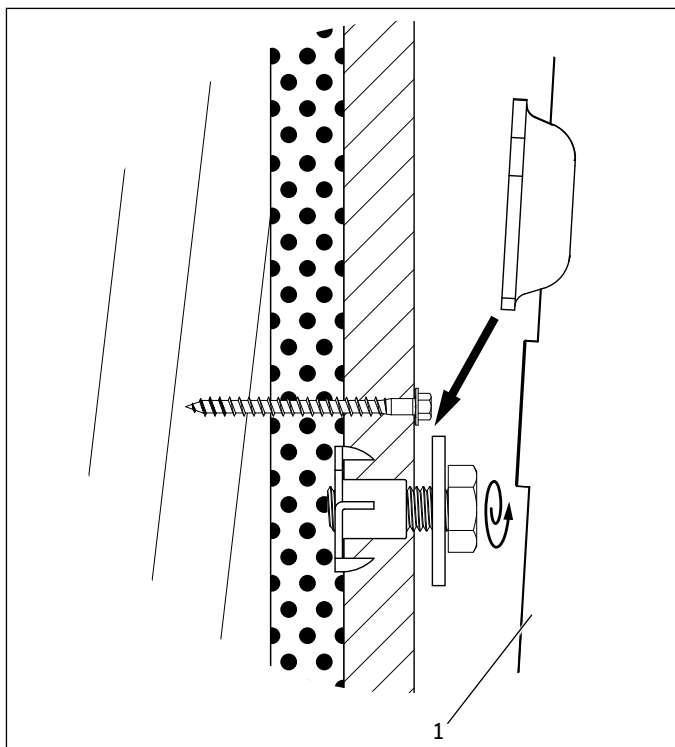


- 5 3/4 po. cloisons sèches mural
- 6 2 po. x 6 po. goujon
- 7 #10 x 2 1/2 po. vis à bois

10.3 Montage sur le contreplaqué

Le support de fixation fixé à l'appareil dans les fentes.

- ▶ Soulevez l'appareil et montez-le sur les boulons 1/2 po. Assurez-vous que les rondelles sont à l'extérieur du support de montage.



- 1 PSH Plus

- ▶ Serrez les boulons sur la rondelle et le support.

11. Installation

11.1 Raccordement de l'eau



PERTES MATÉRIELLES

Effectuer tous les travaux de raccordement et d'installation de l'eau conformément à la réglementation.

Utilisez l'appareil uniquement avec des robinets testés sous pression.

- ▶ Raccordez les raccords hydrauliques avec des joints plats ou avec du ruban PTFE et du produit d'étanchéité pour filetage. Les raccords sont en acier nu. Utilisez uniquement des raccords ou des raccords en laiton ou en acier inoxydable pour connecter directement le réservoir.

11.1.1 Matériaux autorisés



PERTES MATÉRIELLES

Lorsque vous utilisez une tuyauterie en plastique, observez les données du fabricant et utilisez une tuyauterie à très faible perméabilité à l'oxygène.

Ligne d'eau froide

Seuls les raccords diélectriques, les raccords en laiton ou en acier inoxydable peuvent être réalisés directement sur la conduite d'eau froide et d'eau chaude.

11.1.2 Montage de la soupape de sûreté T & P



REMARQUE

La soupape de décharge T & P fournie doit être utilisée.



REMARQUE

Si la pression de l'eau est supérieure à 0,6 MPa (87 psi), installez un réducteur de pression dans «l'entrée d'eau froide».

La pression maximale admissible ne doit pas être dépassée (voir chapitre 16.4 «Tableau de données», p. 27).

- ▶ Veuillez noter que, selon la pression statique, vous pourriez avoir besoin d'un détendeur.
- ▶ Dimensionner le drain pour que l'eau puisse s'écouler sans obstacle lorsque la soupape de sûreté T & P est complètement ouverte.
- ▶ Montez le tuyau de décharge de la soupape de sûreté T & P avec une pente constante et dans une pièce exempte de gel.
- ▶ L'ouverture d'évacuation de la soupape de sécurité doit rester ouverte dans l'atmosphère. Ne pas plonger dans l'eau.

11.2 Source de courant



AVERTISSEMENT Électrocution

Effectuez tous les travaux de raccordement et d'installation électriques conformément aux réglementations en vigueur.

Utilisez uniquement une connexion permanente à l'alimentation. L'appareil doit pouvoir être séparé de l'alimentation électrique par un disjoncteur qui déconnecte tous les pôles. Avant tout travail sur l'appareil, débranchez tous les pôles de l'alimentation. Assurez-vous que l'appareil est mis à la terre.



PERTES MATÉRIELLES

Observez la plaque signalétique. La tension spécifiée doit correspondre à la tension du secteur.

12. Mise en service

12.1 Mise en service



REMARQUE

Remplissez l'appareil d'eau avant le branchement électrique. Si vous allumez l'appareil alors qu'il est vide, le coupe-circuit de sécurité haute limite s'active et doit être réinitialisé.

- ▶ Bien rincer la conduite d'eau froide avant de raccorder l'appareil, afin qu'aucun corps étranger ne pénètre dans le chauffe-eau ou la soupape de surpression T & P.
- ▶ Ouvrir le robinet d'arrêt dans la conduite d'alimentation en eau froide.
- ▶ Ouvrez un point de prélèvement jusqu'à ce que l'appareil soit rempli et que la tuyauterie ne contienne plus d'air.
- ▶ Tournez le bouton de température au maximum.
- ▶ Allumez le disjoncteur connecté à l'appareil.
- ▶ Vérifiez le fonctionnement de l'appareil. Tournez le bouton de température au minimum. Assurez-vous que le thermostat s'éteint.
- ▶ Tournez le bouton de température sur le réglage d'économie d'énergie.
- ▶ Vérifiez que la soupape de décharge T & P fonctionne correctement.

12.1.1 Transfert de l'appareil

- ▶ Expliquez le fonctionnement de l'appareil et de la soupape de surpression T & P aux utilisateurs et familiarisez-les avec leur fonctionnement.
- ▶ Sensibiliser les utilisateurs aux dangers potentiels, en particulier aux risques d'ébouillement.
- ▶ Remettez ces instructions.

12.2 Remise en service

Voir chapitre 12.1 «Mise en service», p. 23.

13. Mise hors

- ▶ Débranchez l'appareil du secteur au disjoncteur / fusible. Si possible, verrouillez le disjoncteur pour qu'il ne puisse pas être activé accidentellement.
- ▶ Videz l'appareil. Voir chapitre 15.1 «Vidange de l'appareil», p. 24.

14. Dépannage



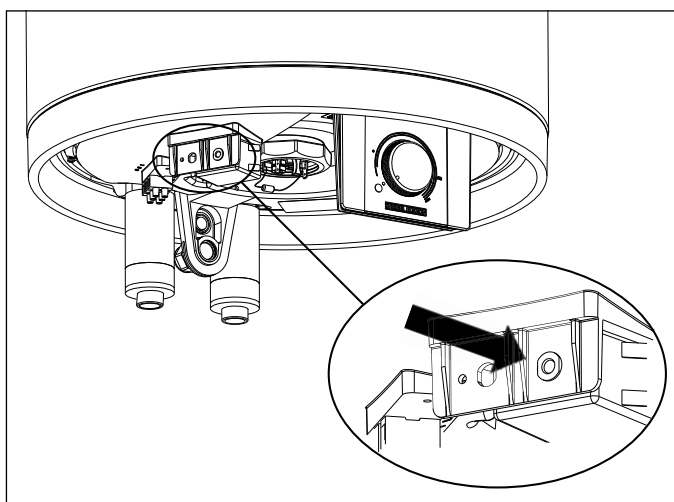
REMARQUE

Le limiteur de sécurité haute limite peut s'activer à des températures inférieures à 5 °F (-15 °C). L'appareil peut être soumis à ces températures pendant le stockage ou le transport. Si l'appareil ne chauffe pas pendant la première mise en service, il peut être nécessaire de réinitialiser l'interrupteur de sécurité à limite haute.

Erreur	Cause	Solution
L'eau ne chauffe pas et le témoin ON / OFF ne s'allume pas.	Le limiteur de sécurité haute limite a répondu parce que le contrôleur est défectueux.	Remédier à la cause du défaut. Remplacez le contrôleur.
	La limite de sécurité haute limite a répondu parce que la température est tombée en dessous de -15 °C (5 °F).	Appuyez sur le bouton de réinitialisation (voir schéma).
L'eau ne chauffe pas et l'indicateur ON / OFF s'allume.	L'élément chauffant est défectueux.	Remplacez l'élément chauffant.
L'eau ne chauffe pas suffisamment et l'indicateur ON / OFF s'allume.	Le régulateur de température est défectueux.	Remplacez le régulateur de température.
Le temps de chauffe est très long et l'indicateur ON / OFF s'allume.	L'élément chauffant est mis à l'échelle.	Détartrez l'élément chauffant.
La soupape de sûreté T & P s'égoutte lorsque le chauffage est désactivé.	Le siège de la vanne est encrassé.	Nettoyez le siège de la vanne.
	La pression de l'eau est trop élevée.	Installez une vanne de réduction de pression.
	Un vase d'expansion n'a pas été installé.	Installez un vase d'expansion en ligne avec l'appareil (voir schéma de plomberie).

Touche de réinitialisation, coupure de sécurité à limite haute

Si la coupure de sécurité à limite supérieure est activée, il convient de la réinitialiser. Éteignez le disjoncteur connecté à l'appareil avant de retirer le capot inférieur et de réinitialiser l'interrupteur.



15. Entretien



AVERTISSEMENT Électrocution

Effectuez tous les travaux de raccordement et d'installation électriques conformément aux réglementations en vigueur. Avant tout travail sur l'appareil, débranchez tous les pôles de l'appareil de l'alimentation électrique.

Si vous devez vidanger l'appareil, observez le chapitre 15.1 «Vidange de l'appareil», p. 24.

15.1 Vidange de l'appareil



AVERTISSEMENT Brûlures

De l'eau chaude peut s'échapper pendant le processus de vidange.

S'il est nécessaire de vidanger la bouteille pour l'entretien ou pour protéger l'installation entière contre le gel, procédez comme suit:

- ▶ Fermez la vanne d'arrêt dans la conduite d'alimentation en eau froide.
- ▶ Ouvrez les vannes d'eau chaude sanitaire de tous les points de prélèvement jusqu'à ce que l'appareil soit complètement vidé.
- ▶ Videz toute eau résiduelle de la soupape de surpression T & P.

15.2 Contrôle / remplacement de l'anode sacrificielle

- ▶ Contrôlez l'anode sacrificielle après la première année d'utilisation et remplacez-la si nécessaire.
- ▶ Ensuite, déterminez les intervalles de temps auxquels des vérifications supplémentaires doivent être effectuées.

15.3 Détartrage

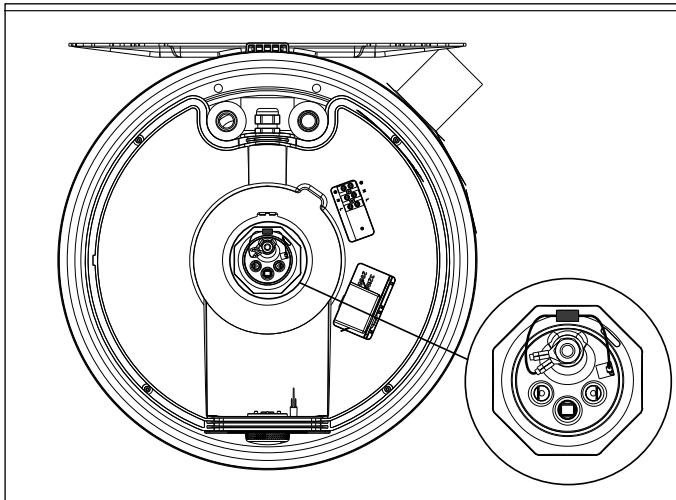
- ▶ Enlevez les dépôts de calcaire du chauffe-eau.
- ▶ Si nécessaire, détartrez le cylindre intérieur avec des détartrants disponibles dans le commerce.
- ▶ Ne démontez la bride qu'après le démontage et ne traitez jamais la surface du cylindre et l'anode sacrificielle avec des agents de détartrage.

INSTALLATION

Spécification

15.4 Protection anti-corrosion

Assurez-vous que pendant la maintenance, la (560 Ω) n'est pas endommagée ou enlevée. Réinsérez la protection anti-corrosion correctement après le remplacement.



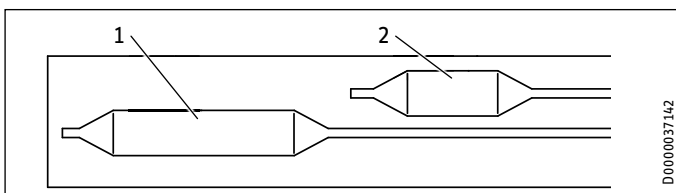
15.5 Remplacement du câble d'alimentation



AVERTISSEMENT Électrocution

Le câble d'alimentation ne doit être remplacé (par exemple, que s'il est endommagé) par un technicien qualifié.

15.6 Remplacement du régulateur / limiteur combiné



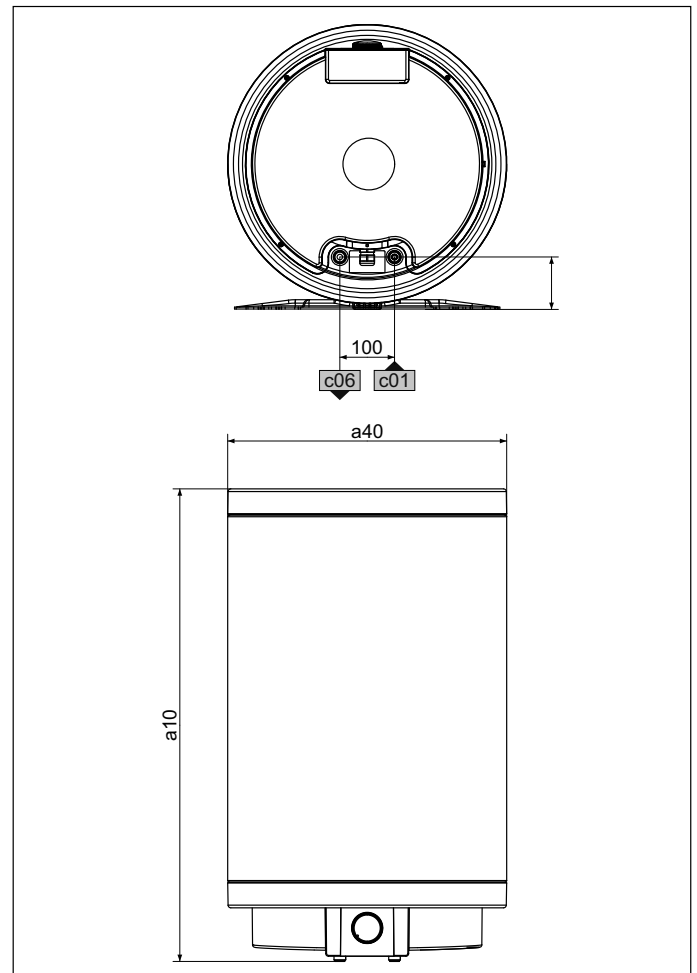
1 Capteur du régulateur

2 Capteur du limiteur

► Insérez le capteur du régulateur et le capteur du limiteur dans le capteur aussi loin que possible.

16. Spécification

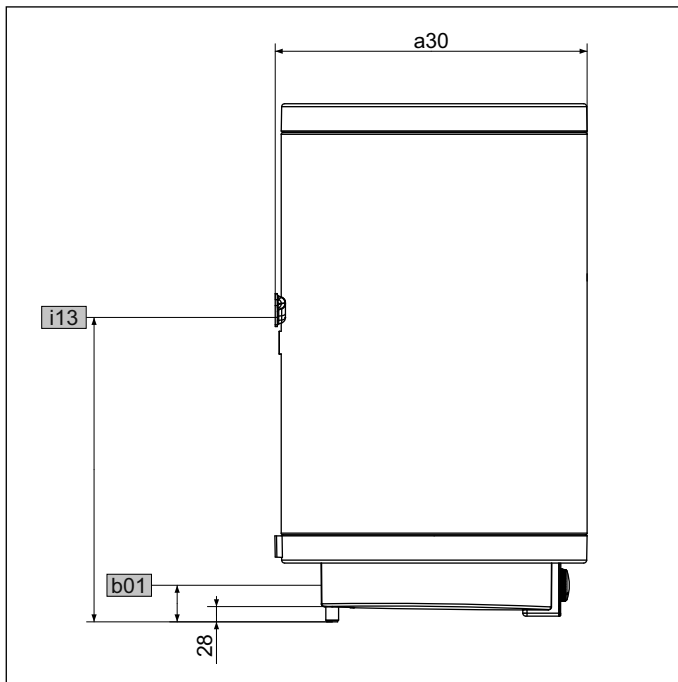
16.1 Dimensions et raccordements



		PSH 20 Plus	PSH 30 Plus	
a10	Appareil	Hauteur	922 mm (36 ¹ / ₄ po.)	1229 mm (48 ³ / ₈ po.)
a40	Appareil	Diamètre	510 mm (20 po.)	510 mm (20 po.)
c01	Entrée d'eau froide	Fil mâle	3/4 po. NPT	3/4 po. NPT
		Jeu arrière	95 mm (3 ³ / ₄ po.)	95 mm (3 ³ / ₄ po.)
c06	Sortie d'eau chaude	Fil mâle	3/4 po. NPT	3/4 po. NPT
		Jeu arrière	95 mm (3 ³ / ₄ po.)	95 mm (3 ³ / ₄ po.)

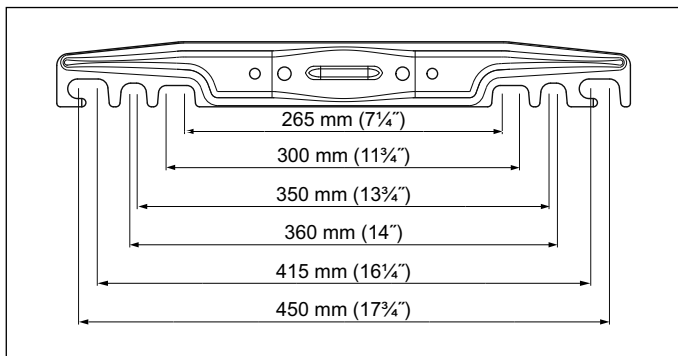
INSTALLATION

Spécification

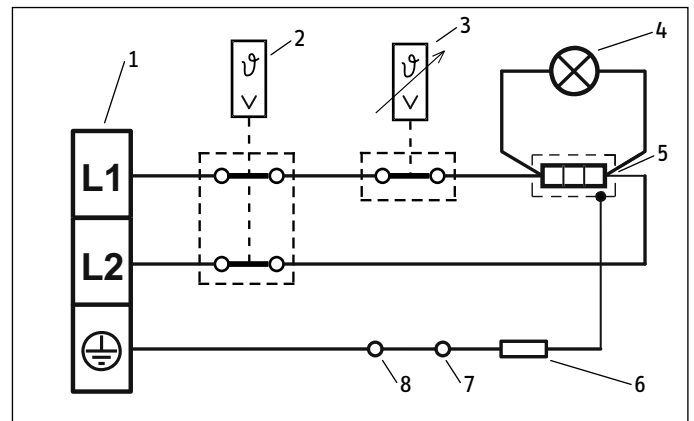


		PSH 20 Plus	PSH 30 Plus
a30	Appareil	Profondeur 520 mm (20½ po.)	520 mm (20½ po.)
b01	Entrée de câble électrique	Raccord fileté PG 16	PG 16
i13	Support de montage	Hauteur 521 mm (20½ po.)	826 mm (32½ po.)

Support de montage mural



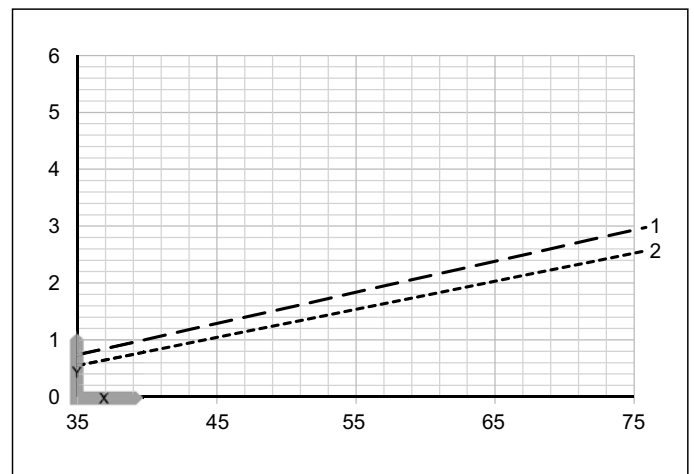
16.2 Schéma de câblage



- 1 Borne
- 2 Déconnexion de sécurité à limite haute
- 3 Régulateur de température
- 4 Indicateur ON / OFF
- 5 Élément chauffant
- 6 Résistance (560 Ω)
- 7 Anode
- 8 Cylindre

16.3 Diagrammes de réchauffement

Le temps de chauffe dépend de la cylindrée, la température d'entrée d'eau froide et la puissance de chauffage. Le graphique suppose une température d'entrée d'eau froide de 15°C (59°F):



- X Réglage de la température [°C]
 Y Temps de chauffage [h]
 1 PSH 30 Plus
 2 PSH 20 Plus

INSTALLATION

Spécification

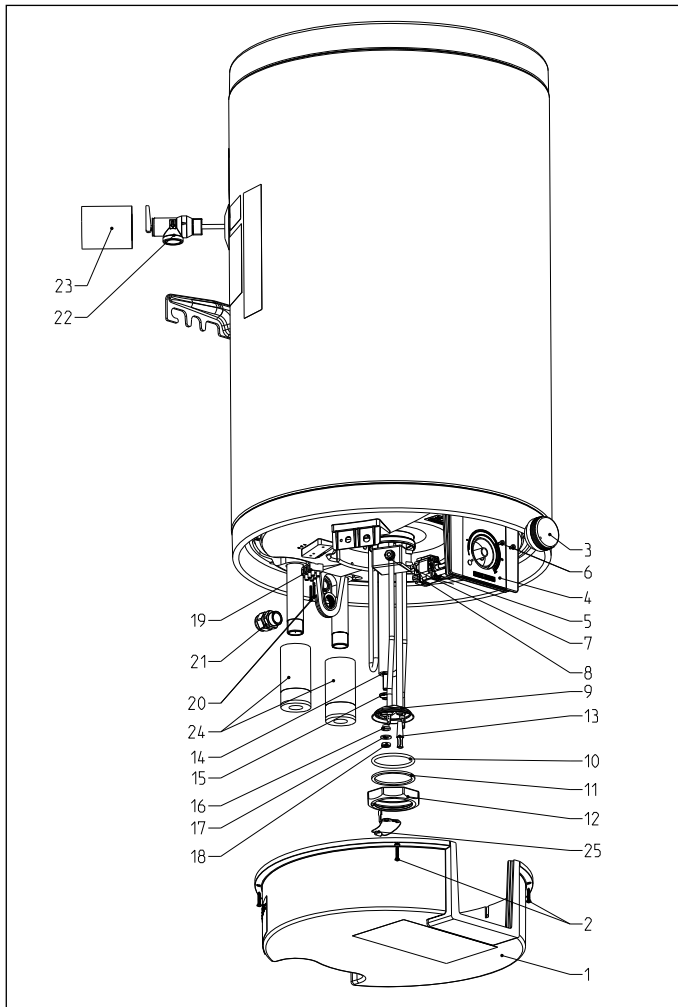
16.4 Tableau de données

	PSH 20 Plus	PSH 30 Plus
Numéro de l'article	235968	235969
Données hydrauliques		
Capacité nominale	80 l (21 gal)	120 l (32 gal)
Volume d'eau mélangé 40 °C [15 °C-->65 °C] (104 °F [59 °F-->149 °F])	139 l (37 gal)	221 l (58 gal)
Raccord hydraulique	3/4 po. NPT	3/4 po. NPT
Données électriques		
Phase	1/N/GND	1/N/GND
Fréquence	50/60 Hz	50/60 Hz
Tension	220-240 V	220-240 V
Puissance	3,267 kW	3,267 kW
Ampérage	13,6 A	13,6 A
Disjoncteur requis ¹	15 A	15 A
Min. recommended wire size (copper) ²	14 AWG	14 AWG
Temps de chauffe, 15 °C-->60 °C (59 °F-->140 °F)	1,31 heures	1,97 heures
Limites d'application		
Plage de réglage de la température	30-75 °C (86-167 °F)	30-75 °C (86-167 °F)
Pression maximale admissible	1,0 MPa (150 psi)	1,0 MPa (150 psi)
Test de pression	1,5 MPa (217 psi)	1,5 MPa (217 psi)
Température maximale admissible	95 °C (203 °F)	95 °C (203 °F)
Min./max. conductivité, eau potable	100-1500 µS/cm	100-1500 µS/cm
Données énergétiques		
Consommation en veille par 24 heures à 65 °C (149 °F)	0,729 kWh	1,073 kWh
Version		
Note IP	IP25	IP25
Réglage de protection antigel	27 °C (42 °F)	27 °C (42 °F)
Couleur	blanc	blanc
Dimensions		
Hauteur	871 mm (34 ¹ / ₄ po.)	1178 mm (48 ³ / ₈ po.)
Profondeur	520 mm (20 ¹ / ₂ po.)	520 mm (20 ¹ / ₂ po.)
Diamètre	510 mm (20 po.)	510 mm (20 po.)
Poids		
Poids, plein	108,2 kg (238,5 lb)	159,1 kg (350,8 lb)
Poids, vide	28,2 kg (62,2 lb)	39,1 kg (86,2 lb)

¹ Les chauffe-eau muraux PSH Plus sont considérés comme une charge non continue.

² Des conducteurs en cuivre doivent être utilisés. Les conducteurs doivent être choisis pour maintenir une baisse de tension inférieur à 3 % sous tension

16.5 Pièces de rechange



#	Pièce détachée	PSH 20 Plus	PSH 30 Plus
1	Cap 510 sp. part	322172	322172
2	Vis 7981-3,9x22-C-Z		
3	Bouton	299865	299865
4	Autocollant avant STE	328077	328077
5	Lampe lueur TBF/SLTS	321989	321989
6	Vis M4x6 B DIN 7985-4.8 A3F 2		
7	Thermostat GTLH 11	322943	322943
8	Fusion thermique	298433	298433
9	Élément chauffant 3000 W	321979	321979
10	Joint de bride	315024	315024
11	Anneau d'isolation	315038	315038
12	Écrou de raccordement	315023	315023
13	Boulon en caoutchouc	268821	268821
14	Anode sacrificielle	286093	286095
15	Joint d'anode	286097	286097
16	Bague	270957	270957
17	Rondelle 125-A 8,4-140 HV-ZN		
18	Écrou I4035-M 8-05-ZN		
19	Bornier 10 E/3	309566	309566
20	Vis DIN 7981-2,9x22		
21	Raccord PG 16	312207	312207
22	Valve T&P 3/4 po.	294545	294545
23a	Isolation des vannes T & P 80x68	323812	323812
23b	Isolation des vannes T & P 80x68	326658	326658
24	Manchon isolant 22x90	323811	323811
25	Résistance	292907	292907
	Boucle de câble	321988	321988
	Douille isolante	315540	315540

17. Garantie

Sous réserve du respect des termes et conditions définis dans la présente garantie à vie limitée, Stiebel Eltron, Inc. (ci-après, le « Fabricant ») garantit à l'acheteur d'origine (ci-après le « Propriétaire ») que tous les chauffe-eau PSH Plus ne doit pas (i) des fuites dues à des défauts de matériaux ou de fabricant de fabrication pendant une période de six (6) ans à compter de la date d'achat ou (ii) l'échec en raison de défauts dans les matériaux ou de fabrication du fabricant pour une période de deux (2) ans à compter de la date d'achat. Le seul et unique recours du propriétaire dans le cadre de la garantie susmentionnée sera pour le Propriétaire de soit réparer en usine, soit remplacer le Chauffe-eau défectueux (à la discrétion du fabricant) avec soit un appareil de rechange, soit une ou des pièces ayant les mêmes caractéristiques d'exploitation. La responsabilité financière maximale du Fabricant ne pourra en aucun cas aller au-delà du prix d'achat du réservoir.

Cette garantie limitée représente la seule garantie accordée par le fabricant et annule toute les autres garanties, orales ou écrites, expresse ou implicites, y compris, mais sans y être limitées les garanties de qualité marchande ou d'aptitude à un usage particulier. Le fabricant rejette toute responsabilité pour les dommages ou frais indirects, consécutifs ou autres résultant directement ou indirectement de tout vice présent dans le chauffe-eau ou survenu lors de l'usage du Chauffe-eau. Le fabricant rejette toute responsabilité pour tout dégât des eaux ou tout autre dégât matériel encouru par le propriétaire, résultant directement ou indirectement de tout vice présent dans le Chauffe-eau ou survenu lors de l'usage du Chauffe-eau. Seul le Fabricant est autorisé à énoncer les garanties au nom du Fabricant et aucune déclaration, garantie ou autre document énoncé par une tierce partie ne saurait engager la responsabilité du Fabricant.

Le Fabricant rejette toute responsabilité pour tout dommage causé par ou en relation avec :

toute mauvaise utilisation ou négligence du Chauffe-eau, tout accident subi par le Chauffe-eau, toute modification du Chauffe-eau ou tout autre usage non prévu, les calamités naturelles ou toute autre circonstance sur laquelle le Fabricant n'a aucun contrôle, l'installation du Chauffe-eau autre que conformément aux directives du Fabricant et autre que conformément aux codes de la construction en vigueur, le non-respect des procédures d'entretien du Chauffe-eau ou

l'utilisation du Chauffe-eau non conformes aux directives du Fabricant, l'utilisation du Chauffe-eau avec une pression d'eau irrégulière ou excessive ou dans le cas où le Chauffe-eau serait alimenté en eau non potable pour toute durée que ce soit, une installation incorrecte ou l'utilisation de matériaux incorrects par un installateur et sans relation avec les vices de fabrication ou de matériel du Fabricant, déplacer le Chauffe-eau de son lieu d'installation d'origine; l'exposition au gel, problèmes de qualité de l'eau comme l'eau corrosive, l'eau dure et de l'eau contaminée par des polluants ou des additifs, pas alimenter en continu l'unité avec de l'eau, également connu comme « le tir à sec ».

Si le Propriétaire désire renvoyer le Chauffe-eau au fabricant pour qu'il soit réparé ou remplacé dans le cadre de cette garantie, le Propriétaire doit d'abord obtenir l'autorisation écrite du Fabricant. Le Propriétaire doit apporter la preuve d'achat, y compris la date d'achat, et sera responsable de tous les frais de transport et de dépose. Si le Propriétaire ne peut pas apporter la preuve de la date d'achat, cette garantie sera limitée à la période commençant à la date de fabrication estampée sur le Chauffe-eau. Le Fabricant se réserve le droit de rejeter toute couverture de la garantie à la suite d'une inspection du Chauffe-eau par le Fabricant. Cette garantie ne s'applique qu'au Propriétaire et ne peut pas être transférée.

Certains États et Provinces n'autorisent pas l'exclusion ou la limitation de certaines garanties. Dans ce cas, les limites mentionnées peuvent ne pas s'appliquer au Propriétaire. Dans ce cas, la garantie sera limitée à la période la plus courte et aux dommages et intérêts les plus faibles autorisés par la loi. Cette Garantie vous octroie des droits légaux spécifiques. Il est toutefois possible que vous ayez d'autres droits en fonction de votre juridiction.

Le Propriétaire sera responsable de tous les frais de main-d'œuvre et autres encourus lors de la dépose ou de la réparation du Chauffe-eau sur le chantier. Veuillez également noter que le Chauffe-eau doit être installé de sorte qu'en cas de fuite, l'eau qui s'écoule doit couler de façon à ne pas endommager l'endroit où il est installé.

Environnement et recyclage

Veuillez nous aider à protéger l'environnement en mettant les matériaux d'emballage au rebut conformément aux règlements nationaux relatifs au traitement des déchets.

Cette garantie n'est valide que pour le Canada et les États-Unis. Les garanties varient en fonction du pays. Veuillez vous adresser à votre représentant local Stiebel Eltron pour plus de détails sur la garantie s'appliquant à votre pays.



L'installation, le branchement électrique et la première mise en route de cet appareil doivent être exécutés par un prestataire qualifié.



La société rejette toute responsabilité pour toute défaillance du produit livré qui n'aurait pas été installé et mis en route conformément aux directives du fabricant.

NOTES

NOTES

STIEBEL ELTRON, Inc.
17 West Street | West Hatfield, MA 01088
Tel. 413.247.3380 | Fax 413.247.3369
info@stiebel-eltron-usa.com
www.stiebel-eltron-usa.com



Subject to errors and technical changes!
¡Sujeto a errores y cambios técnicos!
Sous réserve d'erreurs et de modifications techniques!

Stand 8643

STIEBEL ELTRON

A 328541-41836-9535