

# Strom Plumbing

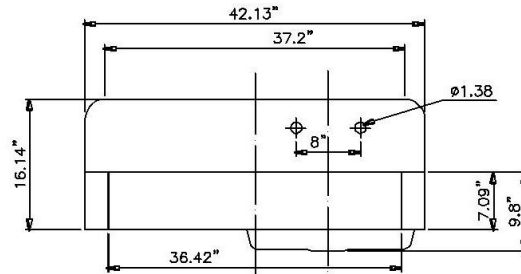


Ph: (916) 638-2722 / Fax: (916) 638-2725

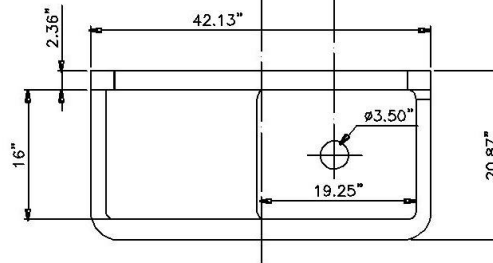
## Installation Information - Single Drainboard Farmhouse Sink (P1118)

### Item #P1118 - 42" Cast Iron Wall Hung Sink, Left Hand Drainboard

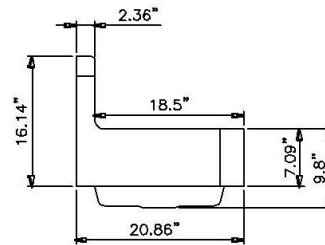
VIEW FROM FRONT



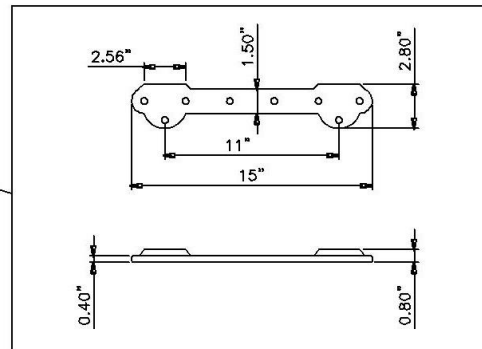
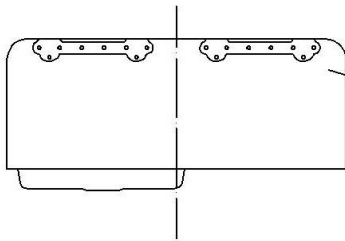
VIEW FROM TOP



VIEW FROM SIDE



VIEW FROM BACK



DETAIL OF BRACKET ASSEMBLY

	Uncrated Weight	Crated Weight
P1118	154	234