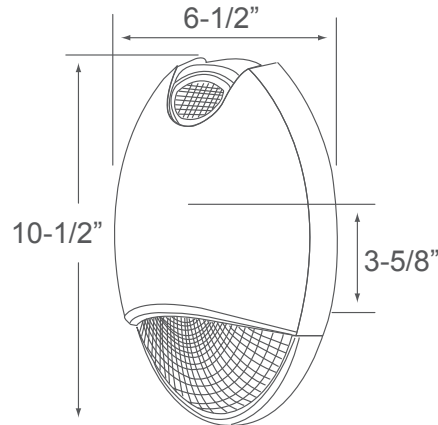


# REL7LED

120V-277V Universal Voltage

Catalog #:		Type
Project:		Date
Prepared by:		

## Outdoor Die Cast Emergency



### DESCRIPTION

When normal utility power fails, the internal solid-state transfer switch automatically connects the internal battery to the LED lamps, lighting a path of egress for no less than 90 minutes. When utility power is restored the battery is recharged by the onboard solid-state recharger. Full recharge is accomplished within 12 hours.

### DESIGN FEATURES

#### Construction

- Die-cast aluminum housing
- Compact, low-profile design
- General lighting and emergency lighting

#### Electrical

- 120V-277V Universal Voltage
- Built-in photocell sensor
- Contains 4.8V, 1800mAh Ni-cd rechargeable battery
- 90 minutes operation during power failure
- Automatic low voltage disconnect protects against deep discharge
- Long-life LEDs and electrical driver
- Equipped with test switch (a test switch pilot light)
- Self-diagnostic / self test
- 50,000 hour projected life
- 6V, 15W LED lamps (5000K, 1300lms) included
- Option for Sensor or Wall Switch function

#### Lens

- Polycarbonate lens and mirror reflector with lense rating (UL94-5VA)

#### Available options

- REL7 – Operating temp range: 0°C (32°F) to 50°C (122°F)
- REL7-C – Operating temp range: -20°C (-4°F) to 50°C (122°F)

#### Certifications

- UL listed for wet locations
- IP65 rating for use in outdoor wet location

ORDERING		Example: REL7LED-OB-C
Model #	Finish	Cold Weather Option
REL7LED		
REL7LED	-OB : Oil Rubbed Bronze -WH : White	-C : Cold Weather Heatpad



# REL7LED

120V-277V Universal Voltage

## Specification & Ordering

Model #	Dimensions (H x W x D)	Watts	Lumens	Finish
REL7LED-OB	10-1/2" x 6-1/2" x 3-5/8"	15W	1300lm	Oil Rubbed Bronze
REL7LED-OB-C Cold Weather				Oil Rubbed Bronze
REL7LED-WH				White
REL7LED-WH-C Cold Weather				White

