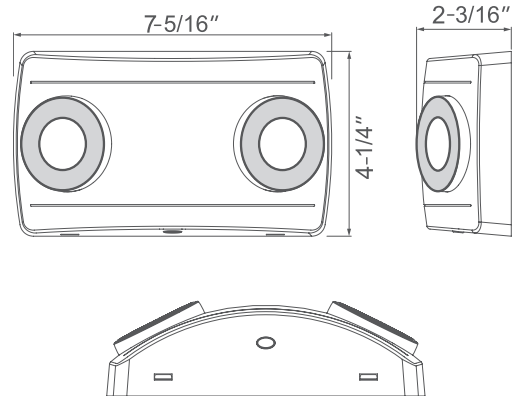


REL21 Series

120/277V

Catalog #:		Type
Project:		Date
Prepared by:		

Compact High Output Emergency



DESCRIPTION

When normal utility power fails, the internal solid-state transfer switch automatically connects the internal battery to the LED lamps, lighting a path of egress for no less than 90 minutes. When utility power is restored the battery is recharged by the onboard solid-state recharger. Full recharge is accomplished within 12 hours.

DESIGN FEATURES

Construction

- Damp location listed made of high impact thermoplastic and flame retardant housing
- Low profile, ultra slim design
- Completely Self-contained
- Two adjustable LED heads
- Manual test switch and LED indicator
- Clear Plastic Lens

Electrical

- 120/277V input, 60Hz.
- Operating temperature of 50° F to 104°F
- Light source: SMD 2W LED, 6000K, 250lms
- Battery: 3.6V 1.5A Ni-MH for high lumen output (2x2W)
- Manual test switch and LED indicator
- 90 minutes of illumination in case of power failure

Installation

- Suitable for ceiling and wall mount

Dimensions (W x D x H)

- 7-5/16" x 2-3/16" x 4-1/4"

Finish

- Available in white (WH) and black (BK)

Options

- REL-200: Wet Location Casing
- Cold weather option:
-10°C (14°F) to 40°C (104°F)

Certifications

- UL, cUL listed
- 5 year limited warranty



REL21 Series

120/277V

Specification & Ordering

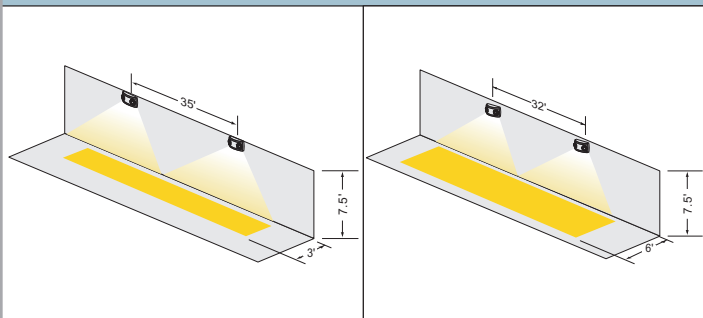
Model #	Description	Watts	Finish
REL21	Wide focal lens	2W (each head)	White or Black
REL21-N	Narrow focal lens	2W (each head)	White
REL21-C	Cold weather option	2W (each head)	White
REL21-C-W	Wet location cover / Cold weather option	2W (each head)	White

ORDERING

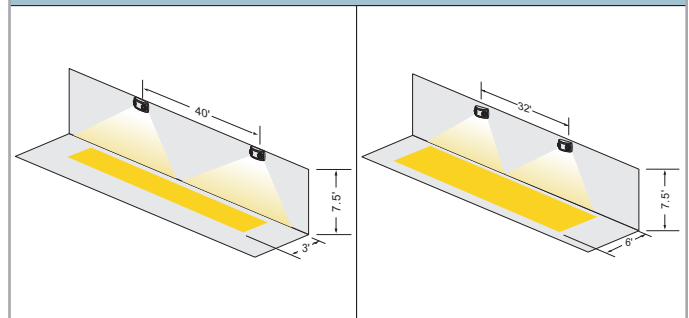
Example: REL21-WH-N

Model #	Finish	Lens
REL21		
REL21	-WH : White -BK : Black	: Wide focal lens -N : Narrow focal lens -C : Cold weather option -C-W : Cold weather option / Wet location cover

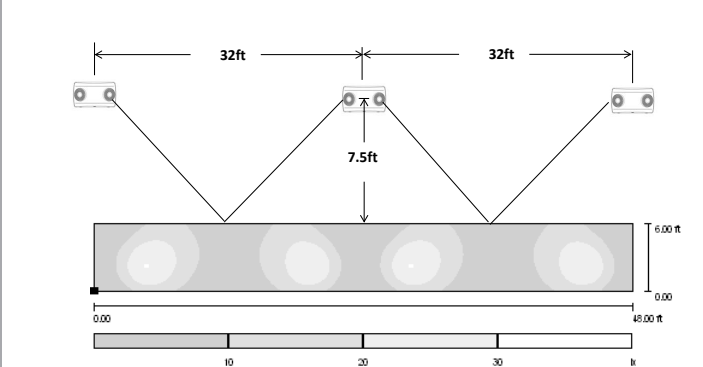
REL21WH / REL21BK / REL22 / REL23-SD / REL21-C / REL23-SD-C



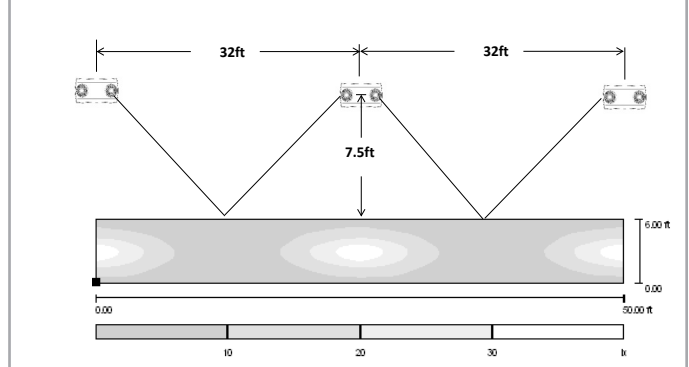
REL21-N/REL22-N/REL23-N-SD



REL21
6ft corridor, 6ft path of egress
Spacing distance 32ft



REL21-N
6ft corridor, 6ft path of egress
Spacing distance 32ft



TEL: 800.937.6925 | Fax: 800.207.9509 | www.rplighting.com

Specifications and dimensions subject to change without notice.

9/28/2020 R1