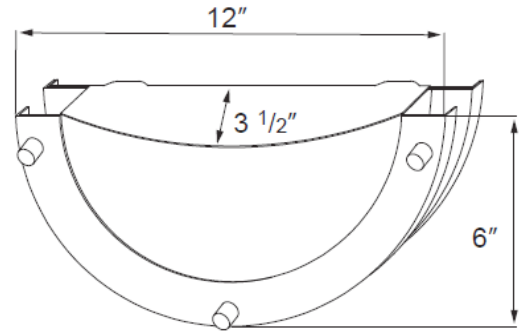


4505-30

120V

Catalog #:		Type
Project:		Date
Prepared by:		

12" LED Wall Mount



12" LED Wall Mount

DESCRIPTION

This is clean and contemporary 12" LED wall mount light enhances any decor with its elegant profile. It has an energy efficient LED light that comes complete with an integrated LED light engine - no additional light bulbs needed which helps you save year-round.

DESIGN FEATURES

Construction

- Durable steel construction
- 6" Height X 12" Width X 3.5" Depth

Electrical

- 120V-60Hz
- Dimmable
- 50,000 hour projected life
- 12W | 840Lm | 70Lm/W
- Available in 3000K
- Lamp: LED
- CRI 84
- Power factor 0.99

Lens

- Opal Acrylic lens protects LEDs and diffuses glare while allowing for optimum lumen output

Finish

- Available in brushed nickel (BN)

Certifications

- Energy Star
- ETL & cETL Certified
- 5 year limited warranty

ORDERING

Example: 4505-30-BN

Model	Finish
4505-30	
4505-30	BN : Brushed Nickel

