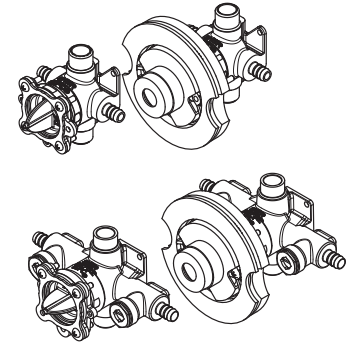


## OX8 Series™ Tub And Shower Valve



- JV8-310P Finish(XX)
- JV8-340P Finish(XX)
- JX8-310P Finish(XX)
- JX8-340P Finish(XX)

- Single Handle
- Valve Only
- 1/2" PEX Inlet Connections

## Specifications

### Features

- Metal Stem
- OX8 Valve; Pressure Balancing Valve Prevents Hot Water Scalds & Cold Water Shocks (JX8 Only)
- OX8 Valve; Pressure Balancing; Maintains Temperature with Changes in Water Pressure (JX8 Only)
- Spool Pressure Balance Valve (JX8 Only)
- Includes Inlet Line Test Plug (JV8 Only)
- Solid Brass Construction
- Valve Body Only (JV8 Only)
- Back-to-Back Installation
- Includes Plug for Shower Only
- 1/2" PEX Inlet Connections
- Dual 1/2" I.P. or 1/2" Copper Sweat Connections
- Job Pack Quantities
- Includes Plug for Tub Only
- Integral Stops (340P Only)
- Pforever Warranty®

### Code Compliance

Pfister products are designed and manufactured in compliance with the following standards and codes:

- IAPMO Certified
- CSA B125 Certified
- ASME A112.18.1
- ASSE 1016
- ASTM F1807-08

## Dimensions

