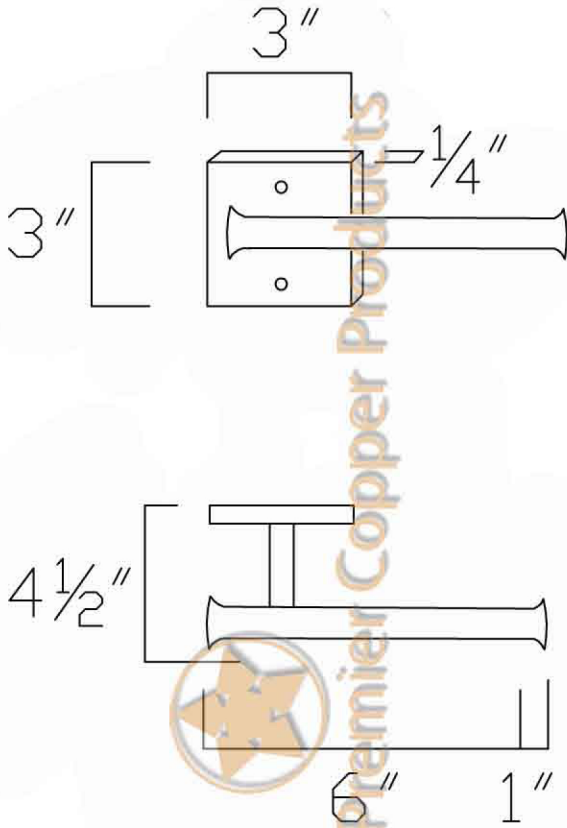




ITEM# TPHLDRDB

Hand Hammered Copper Paper Holder Rack

DIMENSIONS: 6"X4½"X¼"



IMPORTANT: THIS PRODUCT IS HAND CRAFTED AND SMALL VARIANCES MAY OCCUR. DIMENSIONS MAY VARY UP TO 1/4".