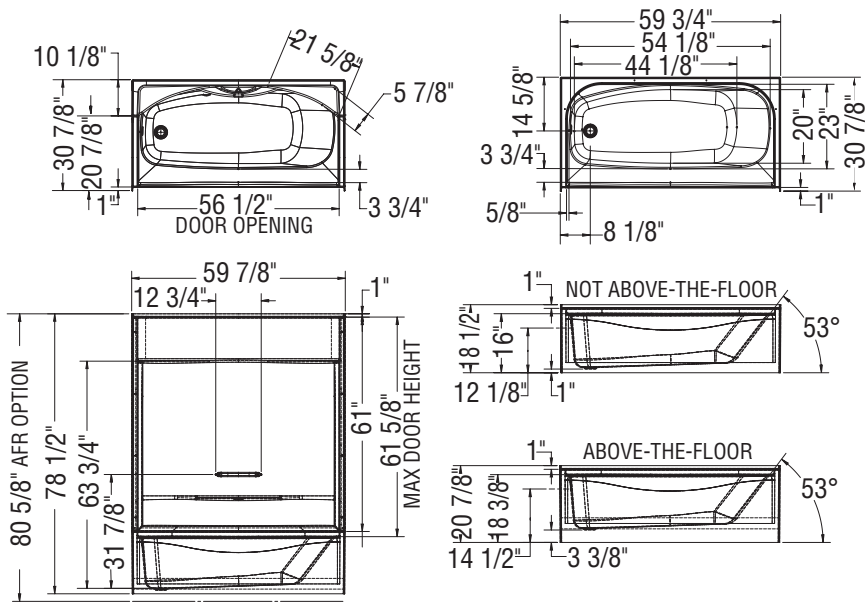
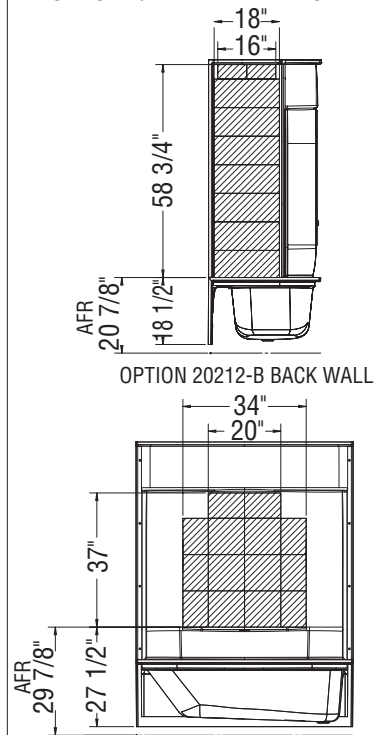


STANDARD



REINFORCEMENT BACKING

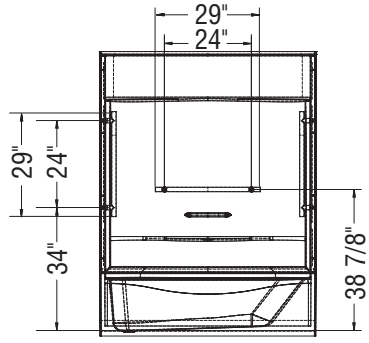
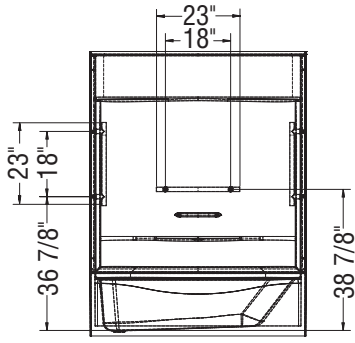
OPTION 20212-R RIGHT WALL SHOWN
 OPTION 20212-L LEFT WALL SYMMETRICAL



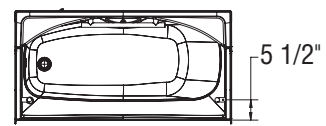
GRAB BARS

OPTION 20203

OPTION 20204



OPTION 20203-20204



All dimensions are approximate. Structure measurements must be verified against the unit to ensure proper fit.