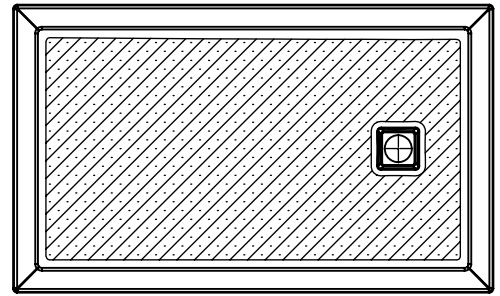
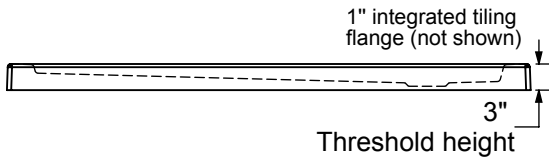
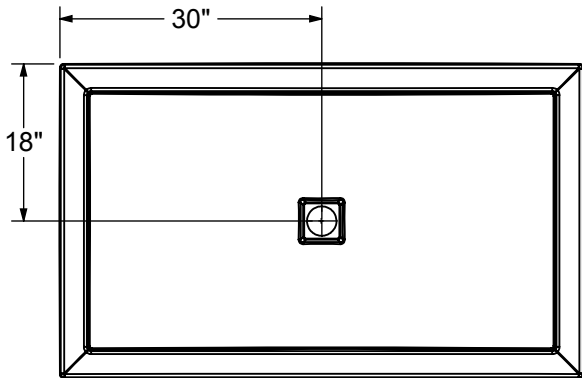
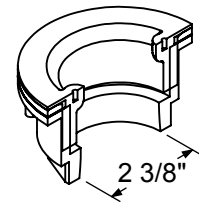
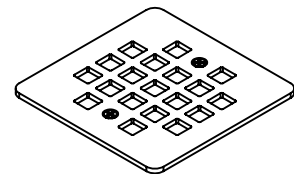
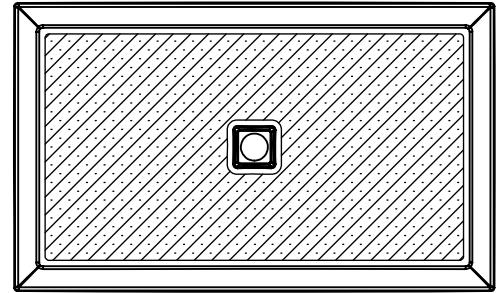


**DRAIN INCLUDED
ON B3 SQUARE ONLY**



The hatched area represent the anti-slip surface



This technical drawing is universal for every 6036 configuration.

Integrated tiling flange : 1" height x 1/4" thick (not shown)
Tiling flange position is determined by chosen configuration.

All dimensions are approximate. Structure measurements
must be verified against the unit to ensure proper fit.