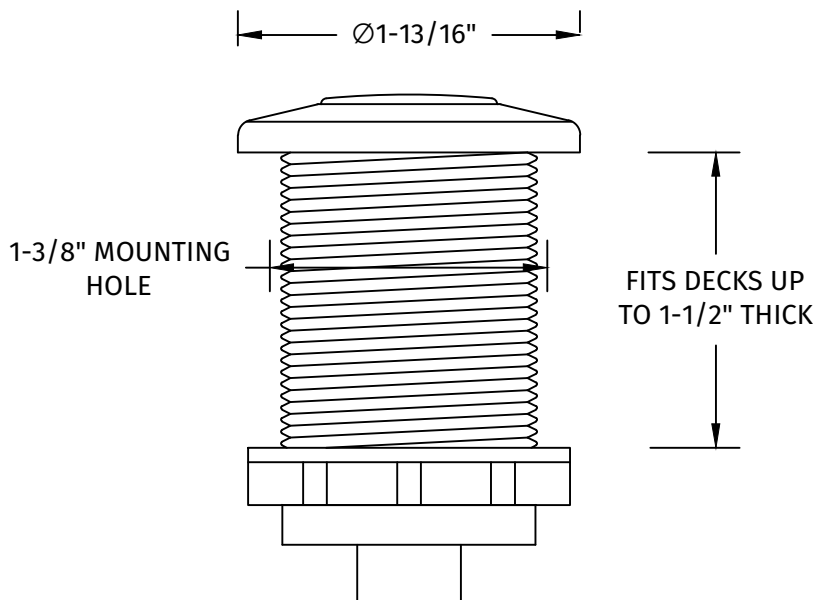


MT955

REPLACEMENT ROUND "CLASSIC TOUCH" WASTE DISPOSER AIR SWITCH

SPECIFICATION SHEET



- REQUIRES Ø1-3/8" MOUNTING HOLE
- WILL FIT UP TO 1-1/2" THICK DECK (FOR THICKER DECKS, THE BUTTON CAN BE INSTALLED WITHOUT THE MOUNTING NUT BY APPLYING 100% SILICONE BENEATH THE FLANGE)
- UL LISTED
- AIR ACTUATED
- BOX MOUNTING HARDWARE AND AIR HOSE NOT INCLUDED
- REPLACEMENT AIR SWITCH FOR MT951, MT953, INSINKERATOR AND FRANKE PUSH BUTTONS

WARRANTY

FOR WARRANTY INFO PLEASE VISIT WWW.MOUNTAINPLUMBING.COM/PAGE/RESOURCES/WARRANTY

FINISH CARE & MAINTENANCE

NEVER USE ANY HARSH ALKALI, ACID BASED DETERGENTS OR CLEANERS SUCH AS SOFT SCRUB®, SCRUBBING BUBBLES® OR COMET® TO CLEAN. DO NOT USE BRILLO® AND SCOTCH BRITE® PADS. THESE WILL ALL HARM THE FINISH. TO CLEAN, USE ONLY A DAMP SOFT CLOTH AND WIPE USING A SOFT CLOTH. STANDARD WINDEX® CAN ALSO BE USED SPARINGLY. IT IS NOT NECESSARY TO WIPE HARD TO REMOVE SPOTS. TO MAINTAIN THE FINISH, WIPE WITH A SOFT DRY CLOTH AFTER USE. AN OCCASIONAL COAT OF PURE CARNAUBA WAX WITHOUT CLEANERS WILL HELP PROTECT THE FINISH.

SPECIFICATIONS SUBJECT TO CHANGE WITHOUT NOTICE