

Home Care Technical Specification

Grab Bar with Corner Shelf

LR2354D

Stock Numbers:

LR2354DBN – Grab Bar with Corner Shelf
Brushed Nickel Finish

LR2354DOWB – Grab Bar with Corner Shelf
Old World Bronze Finish

LR2354DCH – Grab Bar with Corner Shelf
Chrome Finish

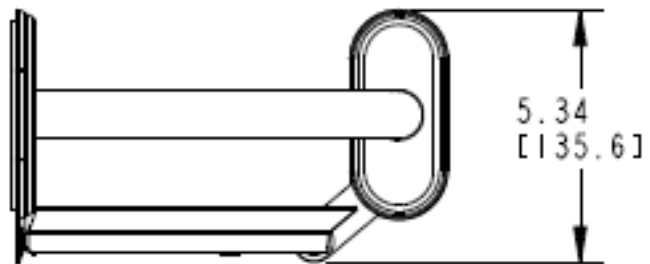
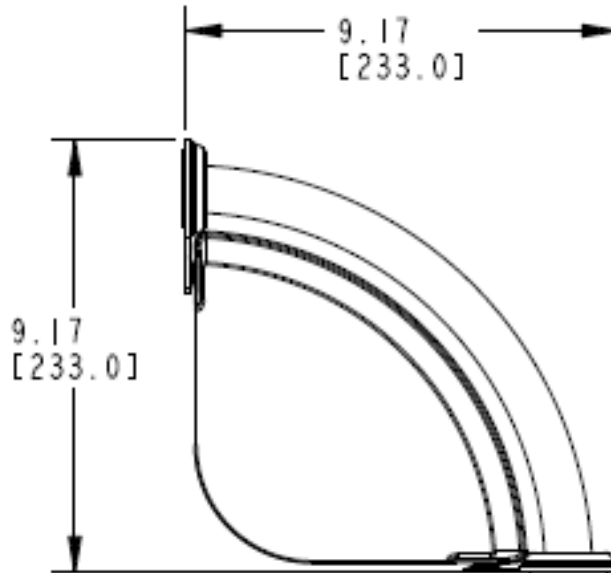
Materials:

Grab Bar is made from Stainless Steel Construction. **Shelf** is constructed of ABS plastic. **SecureMount anchor** is made of POM.

Compliance:

- Tested to 250 lbs. Weight Capacity

Dimensions:



Stock Number: _____ Grab Bar with Corner Shelf By Creative Specialties

25300 AL MOEN DRIVE • NORTH OLMSTED, OH 44070
CORPORATE HEADQUARTERS: (800) 321-8809 • FAX: (800) 848-6636
INTERNATIONAL: (440) 962-2000 • FAX: (440) 962-2726
CUSTOMER SERVICE (USA): 800-882-0116 • FAX: (888) 379-2720
WWW.MOEN.COM

©Copyright Creative Specialties International

Literature #BA1616

