



Buy it for looks. Buy it for life.®

# Specifications

### DESCRIPTION

- Metallic spray face and shell
- Brass swivel ball assembly
- 1/2" IPS connection
- Available in various finishes identified by suffix

### OPERATION

- Single spray function

### FLOW

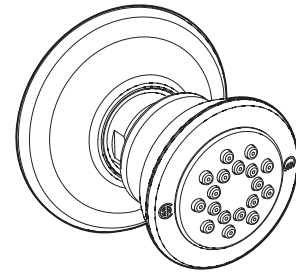
- Designed to deliver 1.75 gpm max (6.6 L/min) at 80 psi

### STANDARDS

- Third party certified to ASME A112.18.1/CSA B125.1 and all applicable requirements referenced therein

### WARRANTY

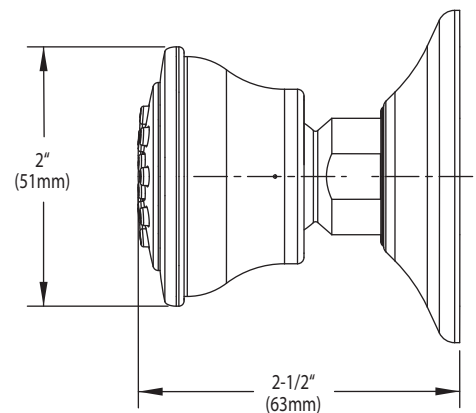
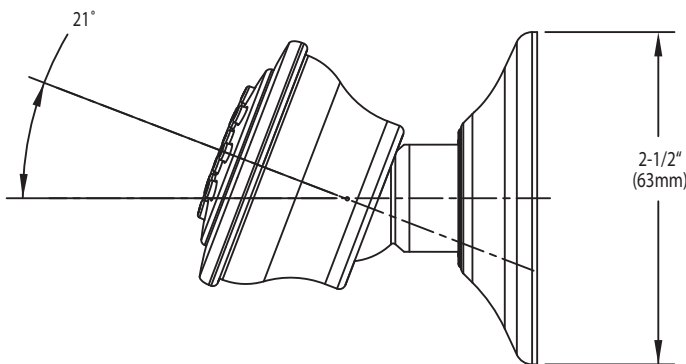
- Warranted for one year against material or manufacturing defects



## Small Single Function Body Spray

Models: A501 series

### A501 Series



## CRITICAL DIMENSIONS

(DO NOT SCALE)