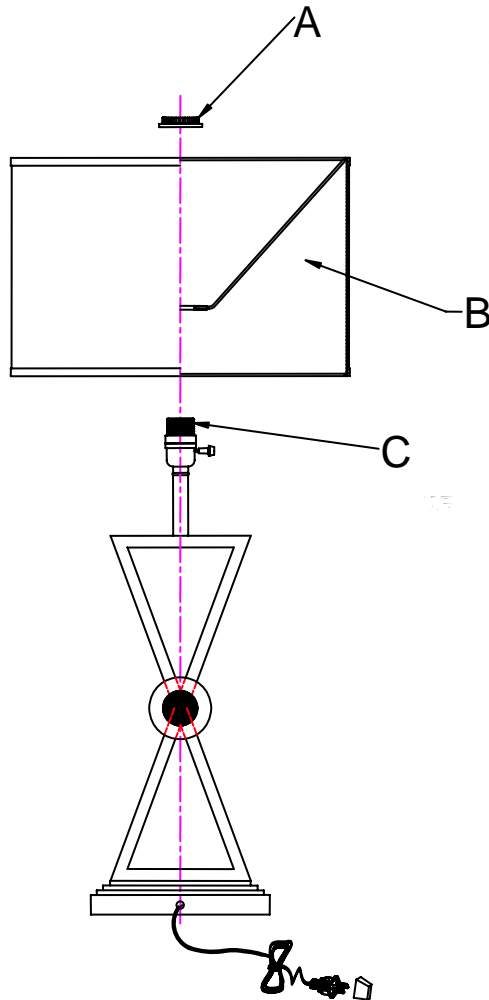


Installation Instructions

Item#N12359-1-267B, N12359-1-77



WARNING:

- Risk of shock, do not plug the unit before assembly.
- Do not exceed the maximum wattage rating.
- Before you light it up, please follow the instruction manual step by step.

INSTALLATION

1. Place Shade (B) over the Socket (C) and secure in place with Screw Shell (A).
2. Install the light bulb in accordance with the fixture's specifications. Please use E26 MEDIUM BASE 100W MAX bulb.

IMPORTANT SAFETY INSTRUCTIONS

This portable lamp has a polarized plug (one blade is wider than the other) as a safety feature to reduce the risk of electric shock. This plug will fit in a polarized outlet only one way. If the plug does not fit fully in the outlet, reverse the plug. If it still does not fit, contact a qualified electrician. Never use with an extension cord unless plug can be fully inserted. Do not alter the plug.

Note: Illustration on this manual is for installation purposes only. It may or may not be identical to the fixture purchased

LA-1673E (Date: Nov. 24, 2015)

MADE IN CHINA



IN AN ONGOING EFFORT TO BE ENVIRONMENTALLY FRIENDLY AND IN COMPLIANCE WITH CALIFORNIA TITLE 20 AN ENERGY SAVING COMPACT FLUORESCENT BULB(S) IS INCLUDED. PLEASE NOTE THAT THE LIFE EXPECTANCY OF THE BULB(S) IS NOT GUARANTEED.