



# MAIDSTONE

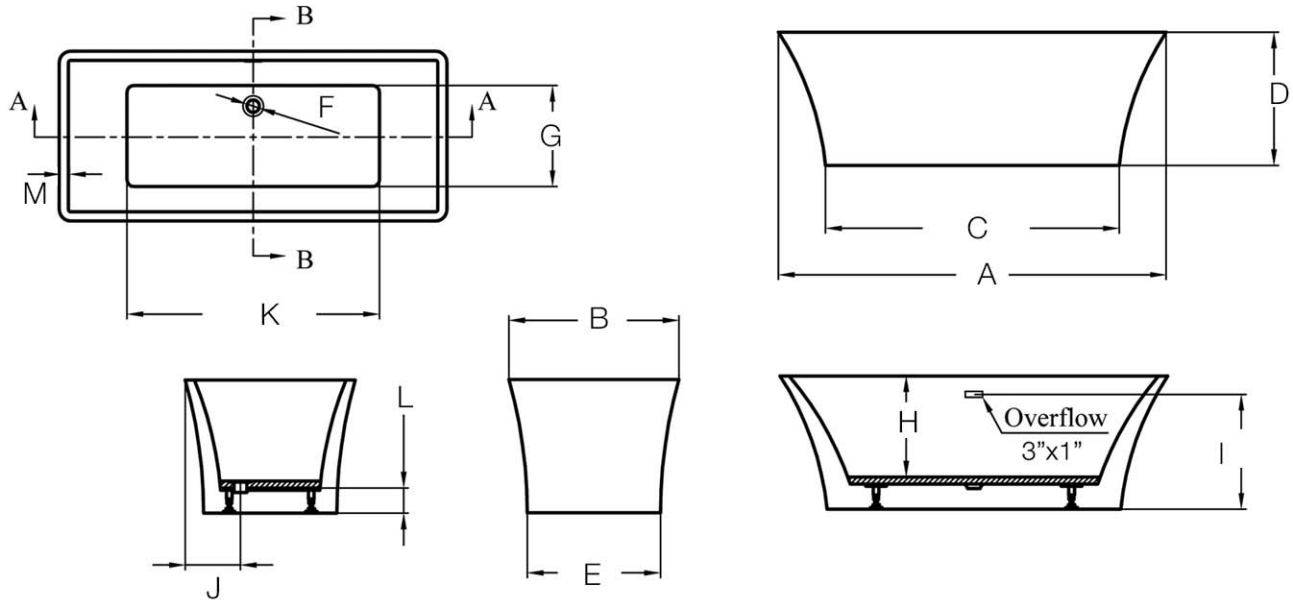
www.MaidstoneSupply.com

## Double End Freestanding Tub

Part No: 220HU

220HU60 & 220HU66

### TECHNICAL INFORMATION



### DIMENSIONS (INCHES)

	A	B	C	D	E	F	G	H	I	J	K	L	M
<b>60</b>	60	29	43 <sup>11</sup> / <sub>16</sub>	22 <sup>1</sup> / <sub>2</sub>	23	2	17	17	19 <sup>11</sup> / <sub>16</sub>	9 <sup>1</sup> / <sub>2</sub>	36 <sup>19</sup> / <sub>32</sub>	4	2 <sup>3</sup> / <sub>4</sub>
<b>66</b>	66	29	50 <sup>3</sup> / <sub>8</sub>	23	23	2	17	17	19 <sup>11</sup> / <sub>16</sub>	9 <sup>1</sup> / <sub>2</sub>	43 <sup>5</sup> / <sub>16</sub>	4	2 <sup>3</sup> / <sub>4</sub>

	60	66
<b>EMPTY (LB)</b>	92	102
<b>CAPACITY (GAL)</b>	50	54

Approximate Measurements

Contact Maidstone for additional information and specifications. For complete warranty information and a list of dealers visit [www.MaidstoneSupply.com](http://www.MaidstoneSupply.com). All products and specifications are subject to change without notice. Maidstone is not responsible for typographical and/or dimensional errors. Typographical errors are subject to correction.

Note: Rough-in dimensions may vary +/- 1/2" and are subject to change. No responsibility is assumed by Maidstone.