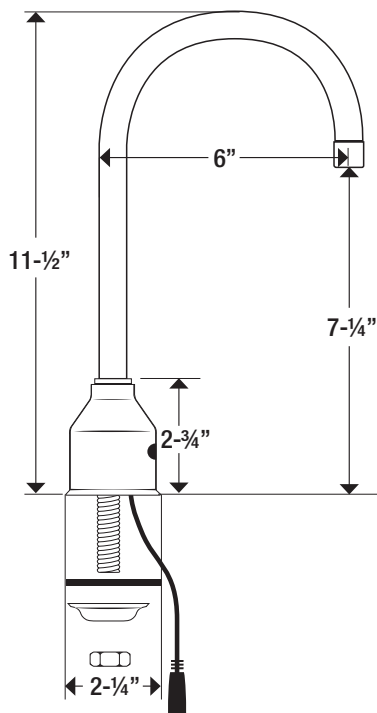




Model: _____ Item #: _____ Date: _____

Project: _____ Qty: _____ Approved By: _____

Model 16-650 Electronic Deck Mount Faucet Single Hole w/ 6" Gooseneck



1 **Electronic Deck Mount Faucet**
• Single Hole
• 0.5 GPM aerator installed

2 **Electronic Faucet Sensor**
• 24" Long

3 **Flexible Stainless Steel Spout Supply Hose**
• 1/2" NPSM x 1/4" NPSM
• 18" Long

4 **Control Module**
• 4"W x 3-3/8"H x 2"D
• Battery powered (4) AA or AC powered (AC adapter not included)

5 **Mechanical Mixing Valve**

6 **Flexible Stainless Steel Supply Hoses**
• 3/8" Compression x 1/2" NPSM
• 18" Long

Standard Features

- Includes Electronic Faucet with Sensor, Control Module, Mechanical Mixing Valve, Supply Hoses & Mounting Hardware. AC Adapter is optional.
- Single Hole
- Infrared sensor turns water on and off for hands free, fast and safe operation
- Saves water
- Eliminates cross contamination
- Built-in filter
- Operates on battery power or A/C adapter (batteries included)
- Battery life 1 - 3 years based on usage
- Built-in low battery indicator light
- Ideal for all hand sinks, scrub sinks, hospitals, restrooms and food establishments
- Ideal for retro-fit, easy installation
- 0.5 GPM aerator installed
- 1.5 GPM aerator included
- Full replacement parts available
- Lead free



NO.	Item	Model
1	Electronic Faucet	16-650
2	Convex Sensor with Cable	16-506
3	Flexible Stainless Steel Spout Supply Hose	16-512
4	Control Module	16-198
5	Mechanical Mixing Valve	16-402L
6	Flexible Stainless Steel Supply Hoses	16-510