

KOHLER® Faucets

Artifacts® with Bell design widespread bathroom sink spout K-72759

Features

- Metal pop-up drain with tailpiece.
- 5-3/8" (137 mm) spout reach.
- Includes stationary spout with aerator and pop-up drain with 1-1/4-inch tailpiece.
- Handles sold separately.
- Laminar flow delivers a graceful stream while conserving water.
- 1.2 gpm (gallons per minute) flow rate.
- Coordinate with your choice of Artifacts handles for a personalized design.

Material

- Brass construction.
- KOHLER finishes resist corrosion and tarnishing.

Installation

- Widespread.

Water Conservation & Rebates

- This product can help a building earn Water Efficiency points in the LEED® Green Building Rating System.

Required Products/Accessories

K-98068-3 Widespread Bathroom Sink Faucet Handles

or

K-98068-3M Widespread Bathroom Sink Faucet Handles

or

K-98068-4 Widespread Bathroom Sink Faucet Handles

or

K-98068-9M Widespread Bathroom Sink Faucet Handles



Codes/Standards

ASME A112.18.1/CSA B125.1

NSF/ANSI 61

NSF/ANSI 372

All applicable US Federal and State material regulations

DOE - Energy Policy Act 1992

EPA WaterSense®

California Energy Commission (CEC)

KOHLER® Faucet Lifetime Limited Warranty

See website for detailed warranty information.

Available Colors/Finishes

Color tiles intended for reference only.

Color Code Description

	CP	Polished Chrome
	SN	Vibrant® Polished Nickel
	BN	Vibrant® Brushed Nickel
	BV	Vibrant® Brushed Bronze
	2BZ	Oil-Rubbed Bronze
	VNT	Vintage Nickel

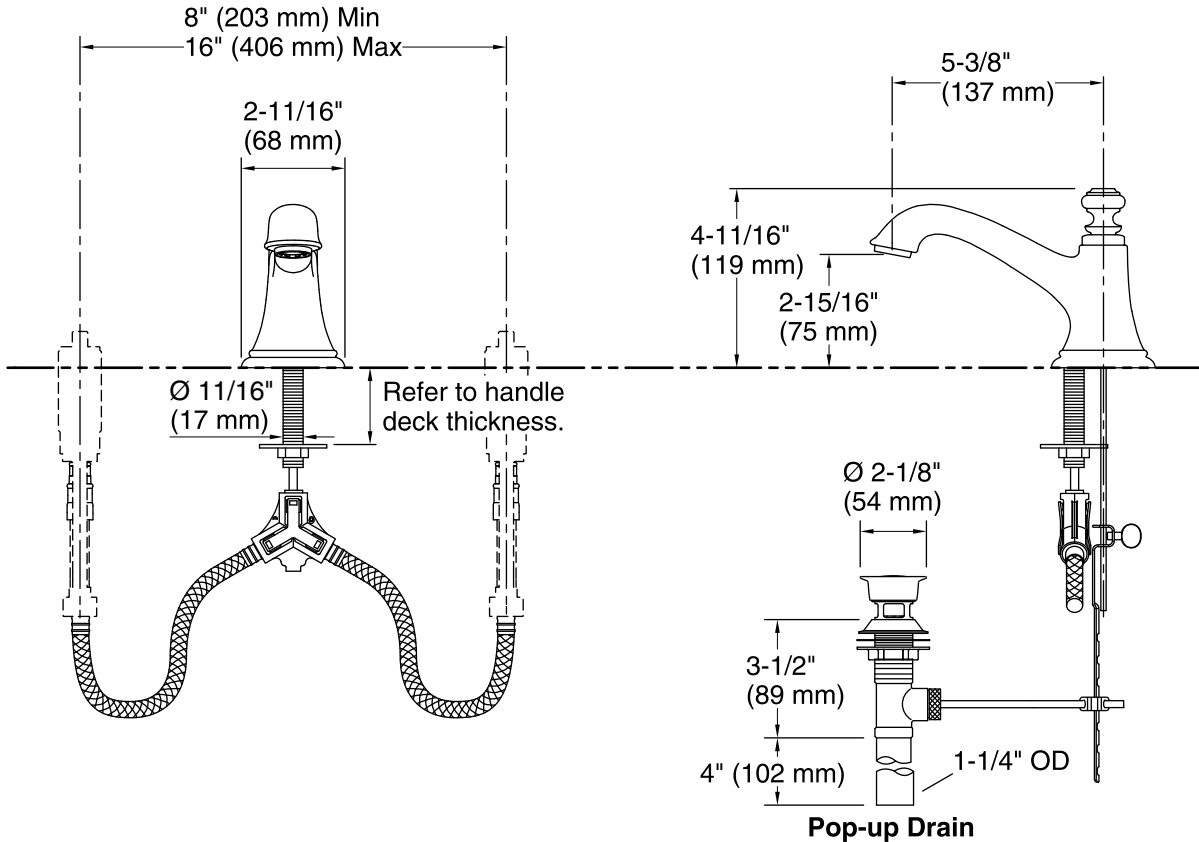
1-800-4KOHLER (1-800-456-4537)

Kohler Co. reserves the right to make revisions without notice to product specifications.

For the most current Specification Sheet, go to www.kohler.com.

9-7-2019 13:43 - US/CA/MX

THE BOLD LOOK
OF **KOHLER**®



Technical Information

All product dimensions are nominal.

Faucet:

Flow rate: 1.2 gal/min (4.5 l/min)

Pressure: 60 psi (4.1 bar)

Drain included: Yes

Drain tailpiece included: Yes

Spout:

Spout reach: 5-3/8" (137 mm)

Notes

Install this product according to the installation guide.