



Brenham™
Wall-Mount Bathroom Sink
K-1997-1L

Features

- Single faucet hole.
- Oval basin.
- Overflow drain.
- Left-hand hole drilled for soap or lotion dispenser.
- Includes wall hanger.

Material

- Vitreous china.

Installation

- Wall-mount
- Drilled for concealed arm carrier installation.

Optional Products/Accessories

K-1998 Shroud
K-8998 P-Trap

Included Components

Additional Components:
Hanger(s) (Qty 2)



ADA **CSA B651** **OBC**

Codes/Standards

ASME A112.19.2/CSA B45.1
ADA
ICC/ANSI A117.1
CSA B651
OBC

KOHLER® One-Year Limited Warranty

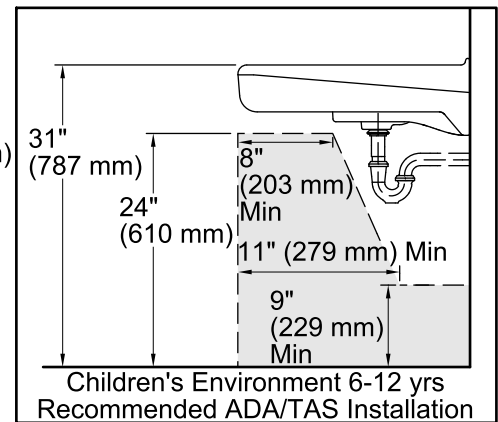
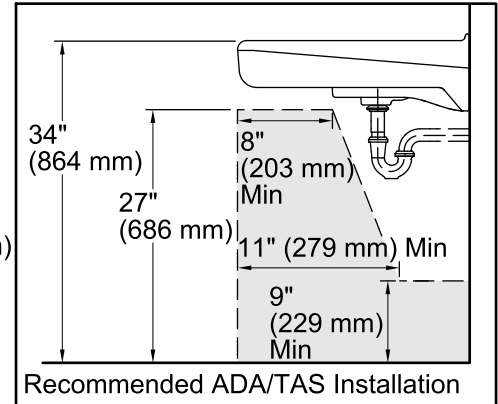
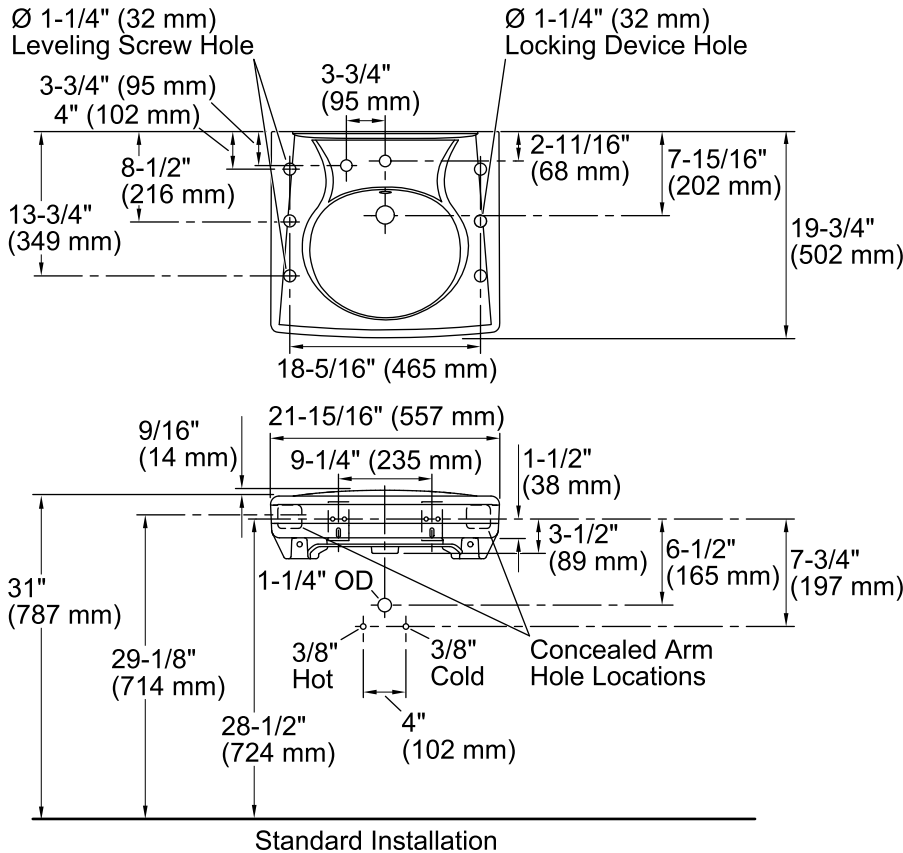
See website for detailed warranty information.

Available Colors/Finishes

Color tiles intended for reference only.

Color Code Description

■ 0 White



Technical Information

All product dimensions are nominal.

Bowl configuration: Single

Installation: Wall-mount

Bowl area (Only): Length: $14\text{-}3/8\text{''}$ (365 mm)
 Width: $12\text{-}5/16\text{''}$ (313 mm)
 With overflow: Yes
 Water depth: $3\text{-}1/4\text{''}$ (83 mm)

Number of deck holes: 2

Faucet hole(s): $1\text{-}3/8\text{''}$ (35 mm)

Soap/Lotion hole: $1\text{-}1/4\text{''}$ (32 mm)

Drain hole: $1\text{-}3/4\text{''}$ (44 mm)

Notes

Install this product according to the installation instructions.

ADA, OBC, CSA B651 compliant when installed to the specific requirements of these regulations.