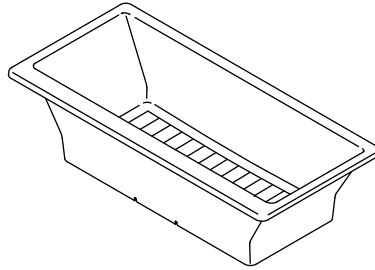


Installation and Care Guide

Drop-In / Under-mount Bath

K-817, K-892

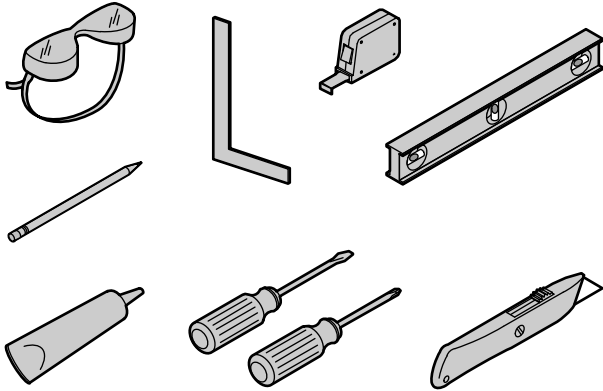


Record the model number for reference:
Enregistrer le numéro du modèle pour référence:
Apunte el número de modelo para referencia:

Français, page "Français-1"
Español, página "Español-1"

THE BOLD LOOK
OF **KOHLER**®

Tools



Plus:

All Installations

- Conventional woodworking tools and materials
- Drop cloth
- 2x4s or 2x6s
- Water-Resistant Deck Material
- Rags
- Metal Shims
- Finished Material

Undermount Installations

- Template
- Masking tape
- File
- Jigsaw
- Router
- Weights

Before You Begin



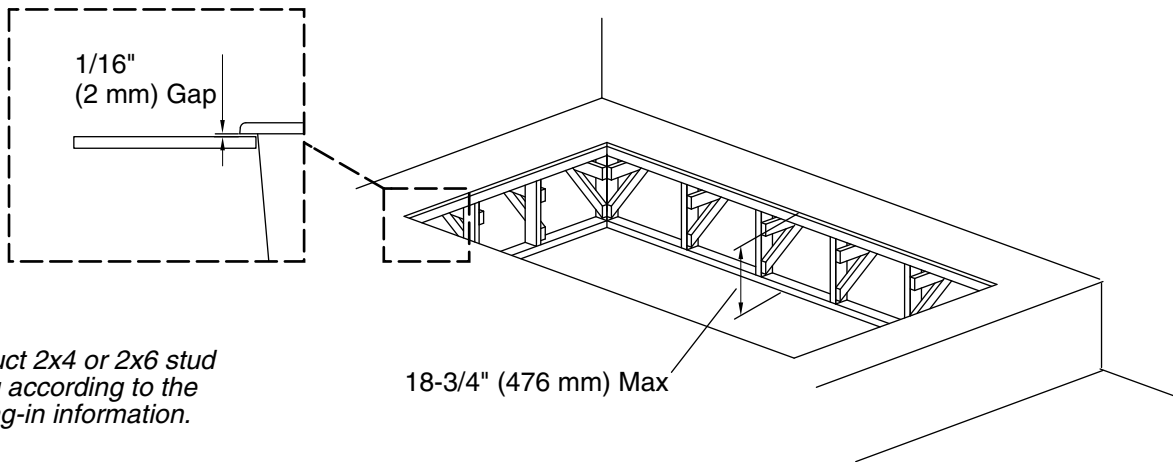
WARNING: Risk of personal injury. Wear personal protective equipment and obtain sufficient help to carefully lift or move the bath. Cast iron baths are extremely heavy. If the cast iron bath is not lifted properly, personal injury may occur.



CAUTION: Risk of property damage. When planning the framing, take into consideration the height of the bath **with** the feet. The bath must be supported by the feet only to avoid property damage. **Do not support the bath by the framing or bath rim.**

NOTICE: This product requires a K-7271 drain (brass pipe) or a K-7272 drain (PVC pipe) for proper installation.

- Observe all local plumbing and building codes.
- Before moving the bath, carefully plan the installation area. This bath is heavy and will not easily fit through doorways.
- Unpack and inspect the bath for damage. Return the bath to the carton until installation.
- Ensure proper access to final plumbing connections.
- These instructions are for both freestanding and drop-in installations. Follow the instructions that apply to your particular installation.
- This bath conforms to ASME Standard A112.19.1/CSA B45.2. All dimensions are nominal.



1. Prepare the Framing

NOTICE: Measure your product for site preparation. Visit the product page at www.kohler.com for more information.

Framing Considerations



CAUTION: Risk of property damage. When planning the framing for the height of the bath, take into consideration the height of the bath **with** the feet. **Do not support the bath by the framing or bath rim.**

- When planning the framing, take into consideration the thickness of the water-resistant deck material and finished material.
- If a deck-mount faucet and valving are planned, ensure that adequate space is available for their installation.
- An access panel is recommended to simplify future maintenance to plumbing.

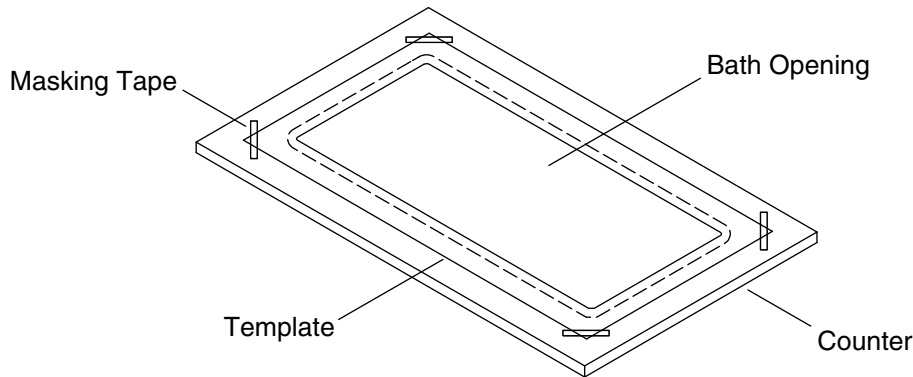
NOTICE: To ensure the bath rim running the length of the bath will be used as intended:

- Ensure a 1/16" (2 mm) gap will exist between the finished material and the underside of the bath rim.
- Allow a minimum of 2" (51 mm) of clearance between the edge of the bath rim and the finished wall.

Prepare the Site

NOTICE: Install to a level subfloor that is adequately supported.

- Install a level subfloor. Adjust for level, if necessary.
- Construct 2x4 or 2x6 stud framing designed for your particular installation.
- Position the plumbing. Cap the supplies and check for leaks.



2. Prepare the Counter – Under-mount Only

- With the edges of the template (provided) parallel with the edges of the counter, affix the template to the counter using masking tape.

NOTE: A counter with radius edges is recommended.

- Determine the preferred edge treatment for the counter. Consult with your local counter fabricator for instructions on cutting the counter edges properly.
- Using the proper cutting method for your counter type, cut along the edge of the template cutout line.
- Remove the template when cutting is complete.
- Smooth the edge of the counter as needed.
- Carefully position the counter on top of the bath to ensure correct fit and appearance. Adjust as necessary.



CAUTION: Risk of property damage. Braces must be installed to support the weight of the counter from below. Do not rely on the bath alone to support this weight. Refer to any instructions supplied with the counter for proper bracing installation. If braces are not installed, the counter may flex and possibly damage the bath.

- Using 2x4s or other bracing material, add braces (required) to the underside of the counter.

3. Prepare the Plumbing

NOTE: For through-the-floor drain installations: A drain hole will need to be cut to accommodate the drain connections. **For above-the-floor drain installations:** A hole will not need to be cut.

- Position the plumbing.
- Cap the supplies and check for leaks.

4. Prepare the Bath

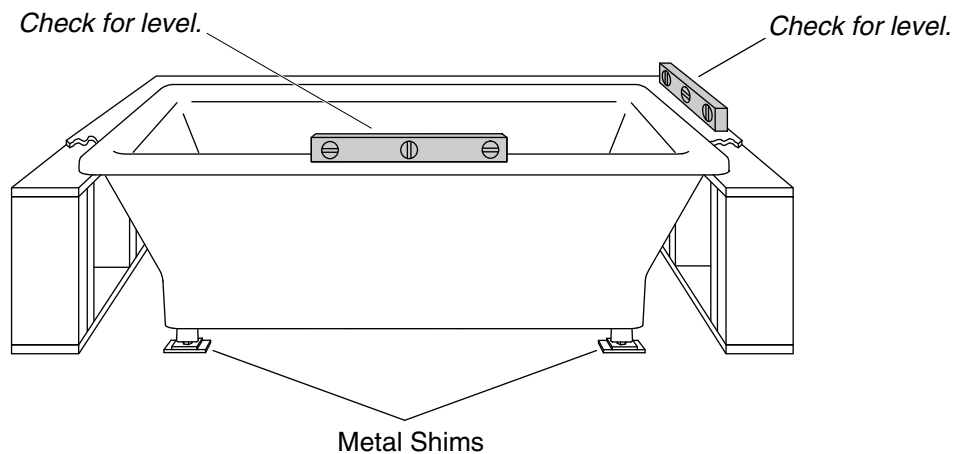


WARNING: Risk of personal injury. Wear personal protective equipment and obtain sufficient help to carefully lift or move the bath. Cast iron baths are extremely heavy. If the cast iron bath is not lifted properly, personal injury may occur.

- Place protective floor covering or throw rug near the installation area. This will prevent damage to the floor and bath when the bath is set down.
- With help, remove the bath from its carton and place it on top of the protective floor covering.

Prepare the Bath (cont.)

- Attach the drain to the bath according to the drain manufacturer's instructions. **Do not connect the trap at this time.**
- Place a clean drop cloth in the bottom of the bath. This will prevent the surface of the bath from scratching during the installation process.



5. Install the Bath



WARNING: Risk of personal injury. Wear personal protective equipment and obtain sufficient help to carefully lift or move the bath. Cast iron baths are extremely heavy. If the cast iron bath is not lifted properly, personal injury may occur.

NOTE: The illustration above shows a drop-in bath. The installation instructions apply for both the drop-in and under-mount bath.

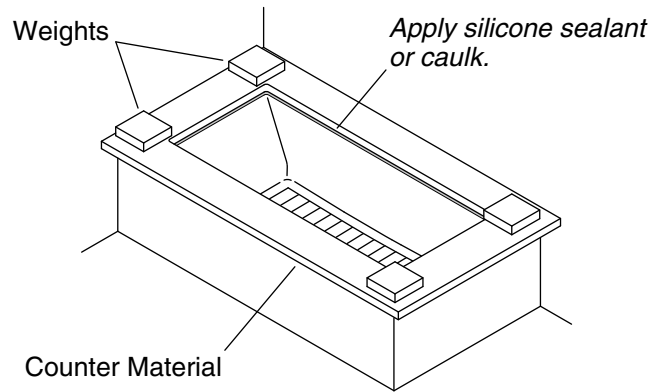
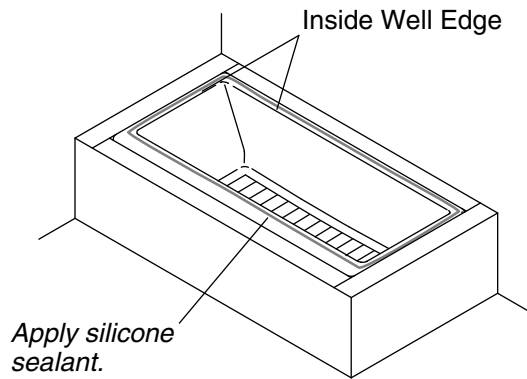
- With help, carefully move the bath into the installation area.
- Connect the tailpiece of the drain to the trap.
- Verify the bath is: (1) level across the top of the bath, (2) plumb along the drain side, and (3) resting on all four feet. If the bath is not level, metal shims must be placed under the bath feet.
- To level the bath, have several people lift the bath while one person slides metal shims underneath the bath feet.

6. Install the Plumbing



CAUTION: Risk of property damage. A watertight seal must exist on all bath drain connections. The watertight seal will prevent property damage.

- Connect the trap to the drain.
- Install the faucet valving according to the faucet manufacturer's instructions. **Do not install the faucet trim at this time.**
- Run water into the bath. Check the drain connections for leaks.
- Fill the bath to the overflow. Check for leaks.



7. Complete the Installation – Under-mount Only

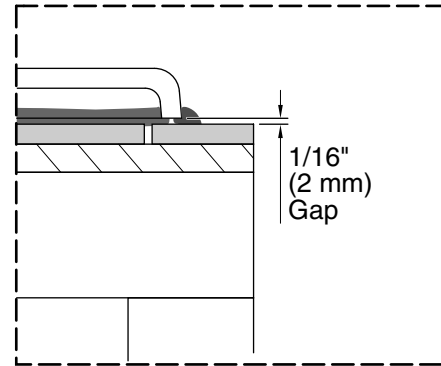
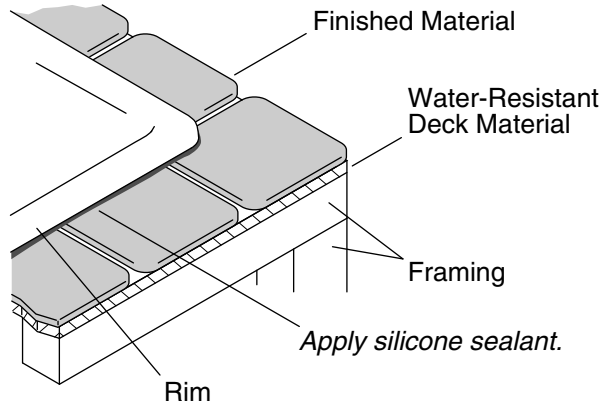


CAUTION: Risk of property damage. Do not use adhesive sealant to secure the counter material to the bath. Adhesive sealant will permanently bond the counter material to the bath making separation difficult and costly. Instead, use silicone sealant or caulk which will ease future maintenance or removal of the counter material.

- Clean the rim of the bath.

NOTICE: The bead of silicone sealant or caulk must be placed a minimum of 2" (51 mm) away from the inside well edge of the rim.

- Apply a continuous bead of silicone sealant or caulk to all areas where the rim and counter material meet.
- Align and properly position the counter material over the bath.
- Press the counter firmly onto the bath.
- Temporarily set weights on the counter material. This will hold the counter material in place while the silicone sealant dries.
- Apply a continuous bead of clear silicone sealant where the rim and the counter material meet.
- Install the faucet trim according to the manufacturer's instructions.



8. Complete the Installation - Drop-in Only

- Cover the framing with water-resistant deck material.

NOTICE: Only apply silicone sealant where instructed.

- Using silicone sealant, seal the joints between the water-resistant deck material and the bath rim at the head and drain end of the bath. **Do not apply silicone sealant to the bath rim running the length of the bath.**

NOTICE: To ensure the bath rim is used as designed, allow a 1/16" (2 mm) gap between the bath rim and the finished material.

- Install the finished material. Ensure a 1/16" (2 mm) gap exists between the bath rim and the finished material for the length of the bath.
- Apply a bead of silicone sealant in the groove between the finished material and the bath rim for the length of the bath.
- Install the faucet trim according to the manufacturer's instructions.

Care and Cleaning

For best results, keep the following in mind when caring for your KOHLER product:

- Always test your cleaning solution on an inconspicuous area before applying to the entire surface.
- Wipe surfaces clean and rinse completely with water immediately after applying cleaner. Rinse and dry any overspray that lands on nearby surfaces.
- Do not allow cleaners to soak on surfaces.
- Use a soft, dampened sponge or cloth. Never use an abrasive material such as a brush or scouring pad to clean surfaces.
- The ideal cleaning technique is to rinse thoroughly and blot dry any water from the surface after each use.
- Use a soft nylon brush on Safeguard® slip-resistant surfaces. Be sure to use a water-soluble cleaner (dissolves 100% in water).

For detailed cleaning information and products to consider, visit www.kohler.com/clean. To order Care & Cleaning information, call 1-800-456-4537.

Warranty

Kohler Co. warrants the cast iron components of products manufactured after February 10, 2000, to be free of defects in material and workmanship during normal residential use for as long as the original consumer purchaser owns his or her home. Gloss reduction, scratching, staining and alkaline etching of the finish over

Warranty (cont.)

time due to use, cleaning practices or water or atmospheric conditions, are not manufacturing defects but are indicative of normal wear and tear. This warranty applies only for KOHLER Cast Iron products installed in the United States of America, Canada or Mexico (North America).

If a defect is found in normal residential use, Kohler Co. will, at its election, repair, replace or make appropriate adjustment. Damage caused by accident, misuse, or abuse is not covered by this warranty. Improper care and cleaning will void the warranty. Proof of purchase (original sales receipt) must be provided to Kohler Co. with all warranty claims. Kohler Co. is not responsible for labor charges, installation, or other incidental or consequential costs. In no event shall the liability of Kohler Co. exceed the purchase price of the product.

If the cast iron product is used commercially or is installed outside of North America, Kohler Co. warrants the cast iron product to be free from defects in material and workmanship for one (1) year from the date the product is installed, with all other terms of this warranty applying except duration. All other components other than the enameled cast iron carry Kohler Co.'s one-year limited warranty unless otherwise specified.

If you believe that you have a warranty claim, contact Kohler Co., either through your Dealer, Plumbing Contractor, Home Center or E-tailer, or by writing: Kohler Co., Attn.: Customer Care Center, 444 Highland Drive, Kohler, WI 53044, USA. Please be sure to provide all pertinent information regarding your claim, including a complete description of the problem, the product, model number, color, finish, the date the product was purchased and from whom the product was purchased. Also include your original invoice. For other information, or to obtain the name and address of the service and repair facility nearest you call 1-800-4-KOHLER (1-800-456-4537) from within the USA and Canada, and 001-800-456-4537 from within Mexico, or visit www.kohler.com within the USA, www.ca.kohler.com from within Canada, or www.mx.kohler.com in Mexico.

KOHLER CO. AND/OR SELLER ARE PROVIDING THIS WARRANTY IN LIEU OF ALL OTHER WARRANTIES, EXPRESSED OR IMPLIED, INCLUDING BUT NOT LIMITED TO THE IMPLIED WARRANTIES OF MERCHANTABILITY AND FITNESS FOR A PARTICULAR PURPOSE. KOHLER CO. AND/OR SELLER DISCLAIMS ANY LIABILITY FOR SPECIAL, INCIDENTAL OR CONSEQUENTIAL DAMAGES.

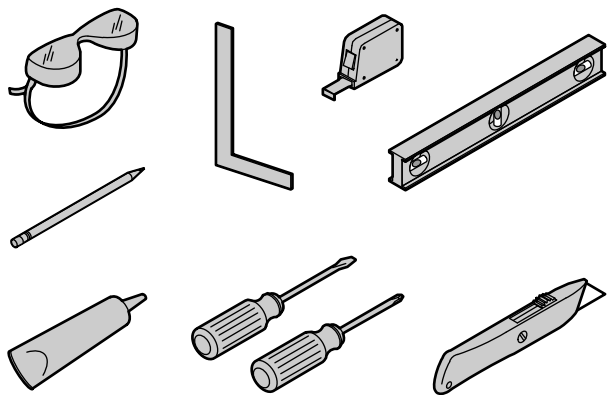
Some states/provinces do not allow limitations on how long an implied warranty lasts, or the exclusion or limitation of special, incidental or consequential damages, so these limitations and exclusions may not apply to you. This warranty gives the consumer specific legal rights. You may also have other rights, which vary, from state/province to state/province. This warranty is to the original consumer purchaser only, and excludes product damage due to installation error, product abuse, or product misuse, whether performed by a contractor, service company or the consumer.

This is Kohler Co.'s exclusive written warranty.

Guide d'installation et d'entretien

Baignoire à encastrer par le dessus/par le dessous

Outils



Plus:

Toutes les installations

- Outils et matériel de menuiserie conventionnels
- Bâche de protection
- 2x4 ou 2x6
- Matériau de comptoir hydrorésistant
- Chiffons
- Cales en métal
- Matériau fini

Installations à encastrer par le dessous

- Gabarit
- Ruban-cache
- Lime
- Scie sauteuse
- Évideuse
- Poids

Avant de commencer



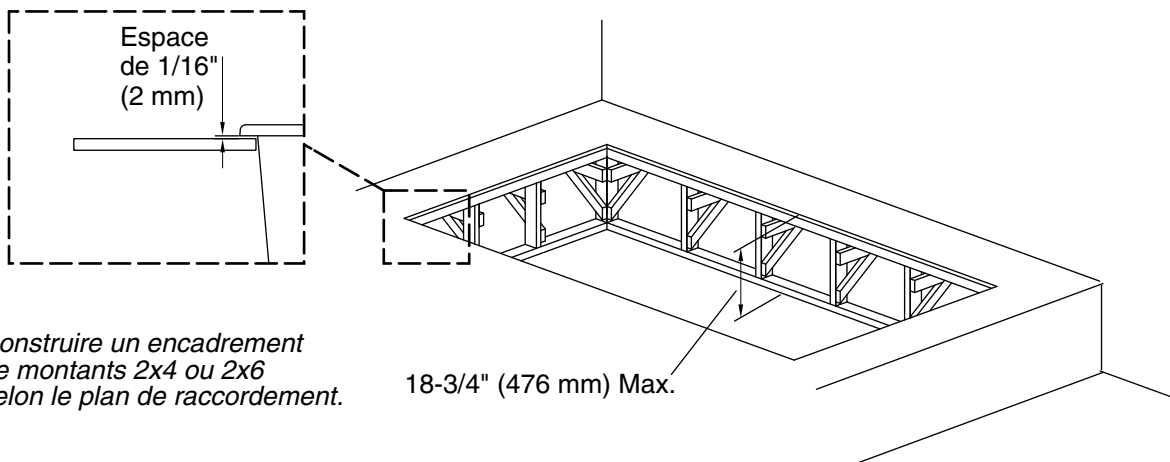
AVERTISSEMENT: Risque de blessures. Porter un équipement de protection et obtenir suffisamment d'aide pour soulever ou déplacer la baignoire. Les baignoires en fonte sont très lourdes. Si la baignoire en fonte n'est pas soulevée correctement, des blessures peuvent être occasionnées.



ATTENTION: Risque de dommages matériels. Lors de la planification de la charpente, prendre en considération la hauteur de la baignoire avec les pieds. Afin d'éviter des dommages matériels, la baignoire doit être supportée par les pieds uniquement. **Ne pas supporter la baignoire par la charpente ou par le rebord.**

AVIS: Pour une installation appropriée ce produit exige un drain K-7271 (tuyau en laiton) ou un drain K-7272 (tuyau en PVC).

- Respecter tous les codes de plomberie et de bâtiment locaux.
- Avant de déplacer la baignoire, planifier avec attention l'emplacement d'installation. Cette baignoire est lourde et ne passe pas facilement entre les montants des portes.
- Déballer et examiner la baignoire pour y déceler tout dommage. Remettre la baignoire dans l'emballage jusqu'à l'installation.
- Assurer un bon accès aux connexions de plomberie finales.
- Ces instructions sont destinées à des installations autoportantes et à encastrer par le dessus. Suivre les instructions qui s'appliquent pour l'installation en question.
- Cette baignoire est conforme aux normes ASME A112.19.1/CSA B45.2. Toutes les dimensions sont nominales.



Construire un encadrement de montants 2x4 ou 2x6 selon le plan de raccordement.

18-3/4" (476 mm) Max.

1. Préparer la charpente

AVIS: Mesurer le produit pour la préparation du site. Pour de plus amples informations, consulter la page du produit sur le site www.kohler.com.

Mesures à considérer pour la charpente



ATTENTION: Risque de dommages matériels. Lors de la planification de la charpente pour la hauteur de la baignoire, tenir compte de la hauteur de la baignoire **avec les pieds**. **Ne pas supporter la baignoire par la charpente ou par le rebord.**

- Lors de la planification de la charpente, tenir compte de l'épaisseur du matériau hydro-résistant du comptoir et du matériau fini.
- Si l'on prévoit la pose d'un robinet et de vannes à montage sur comptoir, s'assurer de prévoir suffisamment d'espace pour leur installation.
- Un panneau d'accès est recommandé pour simplifier la maintenance future de la plomberie.

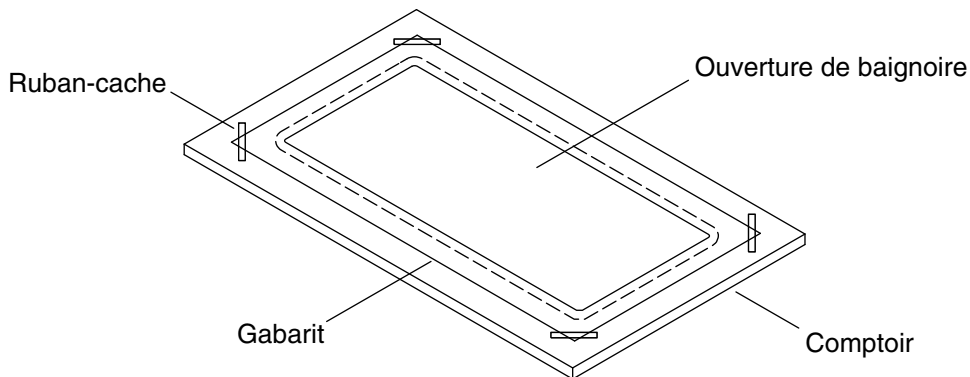
AVIS: Pour s'assurer que le rebord sur toute la longueur de la baignoire soit utilisé comme prévu:

- Assurer un espace de 1/16 (2 mm) entre le matériau fini et le dessous du rebord de la baignoire.
- Laisser un minimum de 2" (51 mm) d'espace entre le bord du rebord de la baignoire et le mur fini.

Préparer le site

AVIS: Installer sur un sous-plancher nivelé qui est supporté de manière adéquate.

- Installer un sous-plancher nivelé. Ajuster le nivellement le cas échéant.
- Construire un encadrement de montants de 2x4 ou 2x6 conçu pour l'installation en question.
- Positionner la plomberie. Boucher les alimentations et s'assurer de l'absence de fuites.



2. Préparer le comptoir – Encastrement par le dessous seulement

- Avec les bords du gabarit (fourni) parallèles à ceux du comptoir, appliquer le gabarit sur le comptoir avec du ruban-cache.

REMARQUE: Un comptoir avec des rebords arrondis est recommandé.

- Déterminer le traitement préféré pour le bord du comptoir. Consulter le fabricant de comptoirs local pour les instructions de découpe correcte de bords de comptoir.
- En utilisant la méthode de découpe appropriée pour le type de comptoir en question, découper le long du bord de la ligne de découpe du gabarit.
- Retirer le gabarit lorsque la découpe est terminée.
- Lisser le bord du comptoir selon les besoins.
- Positionner délicatement le comptoir au-dessus de la baignoire pour assurer un ajustement et une apparence corrects. Ajuster selon les besoins.



ATTENTION: Risque de dommages matériels. Des renforts doivent être installés pour supporter le poids du comptoir par le dessous. Ne pas compter sur la baignoire seule pour supporter ce poids. Se référer à toutes les instructions fournies avec le comptoir pour une installation correcte des renforts. Si les renforts ne sont pas installés, le comptoir pourrait fléchir et risquerait d'endommager la baignoire.

- Avec des 2x4 ou un autre matériau de renfort, rajouter les renforts (requis) sur le dessous du comptoir.

3. Préparer la plomberie

REMARQUE: Pour des installations de drain à travers le plancher: Un orifice de drain doit être découpé pour recevoir les connexions de drain. **Pour des installations de drain au-dessus du plancher:** Il ne sera pas nécessaire de découper un orifice.

- Positionner la plomberie.
- Boucher les alimentations et s'assurer de l'absence de fuites.

4. Préparer la baignoire

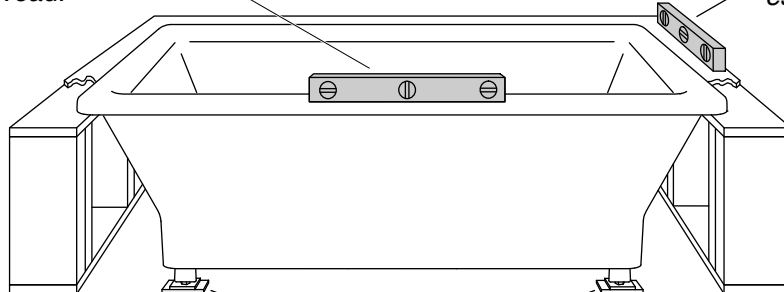


AVERTISSEMENT: Risque de blessures. Porter un équipement de protection et obtenir suffisamment d'aide pour soulever ou déplacer la baignoire. Les baignoires en fonte sont très lourdes. Si la baignoire en fonte n'est pas soulevée correctement, des blessures peuvent être occasionnées.

Préparer la baignoire (cont.)

- Placer une couverture de protection de plancher ou un tapis près de la zone d'installation. Ceci évitera un endommagement du sol et de la baignoire lorsque la baignoire est posée.
- Avec de l'assistance, retirer la baignoire de son emballage et la placer au-dessus de la couverture de protection du plancher.
- Attacher le drain sur la baignoire selon les instructions du fabricant du drain. **Ne pas connecter le siphon pour l'instant.**
- Placer une bâche propre sur le fond de la baignoire. Ceci empêchera de rayer la surface de la baignoire pendant la procédure d'installation.

S'assurer que la surface est à niveau.



S'assurer que la surface est à niveau.

Cales de métal

5. Installer la baignoire



AVERTISSEMENT: Risque de blessures. Porter un équipement de protection et obtenir suffisamment d'aide pour soulever ou déplacer la baignoire. Les baignoires en fonte sont très lourdes. Si la baignoire en fonte n'est pas soulevée correctement, des blessures peuvent être occasionnées.

REMARQUE: L'illustration ci-dessus montre une baignoire à encastrement par le dessus. Ces instructions d'installation s'appliquent aux installations à encastrer par le dessus et à celles à encaster par le dessous.

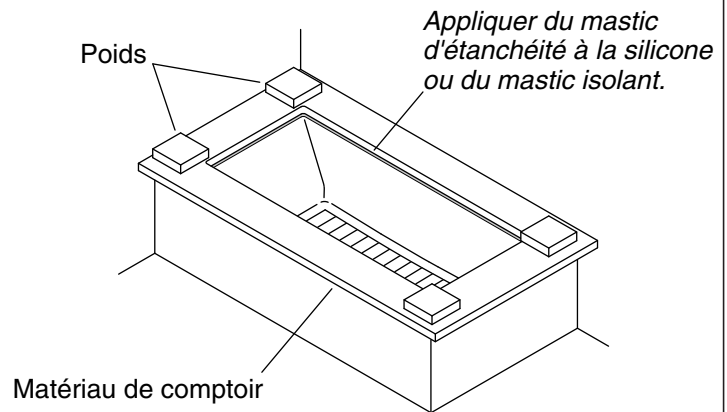
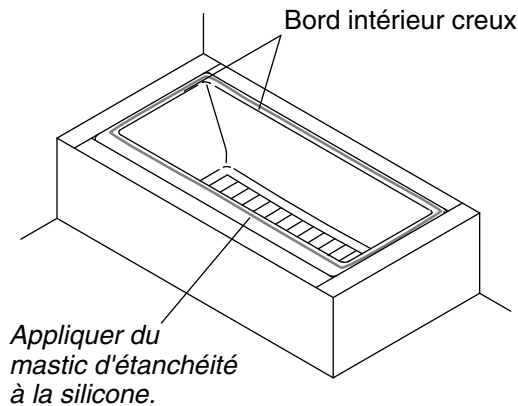
- Avec de l'aide, déplacer soigneusement la baignoire dans l'emplacement d'installation.
- Connecter la pièce de raccordement du drain au siphon.
- Vérifier que la baignoire est: (1) nivelée sur le dessus de la baignoire, (2) d'aplomb sur le côté du drain, et (3) posée sur ses quatre pieds. Si la baignoire n'est pas nivelée, des cales métalliques doivent être placées sous les pieds de la baignoire.
- Pour niveler la baignoire, demander à plusieurs personnes de soulever celle-ci pendant qu'une personne glisse les cales en métal sous les pieds de la baignoire.

6. Installer la plomberie



ATTENTION: Risque de dommages matériels. Un joint étanche doit être présent sur toutes les connexions de drain de la baignoire. Le joint étanche empêchera les dommages matériels.

- Connecter le siphon au drain.
- Installer la robinetterie selon les instructions du fabricant du robinet. **Ne pas installer la garniture du robinet pour l'instant.**
- Faire couler l'eau dans la baignoire. Inspecter les connexions du drain pour y rechercher des fuites.
- Remplir la baignoire jusqu'au trop-plein. Rechercher des fuites.



7. Terminer l'installation – Encastrement par le dessous seulement

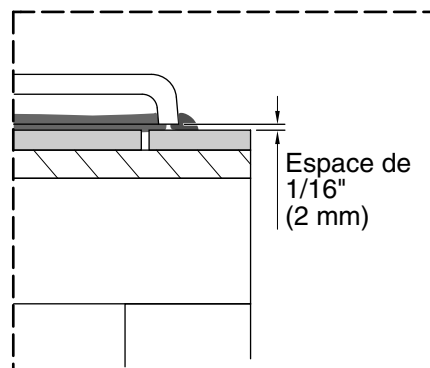
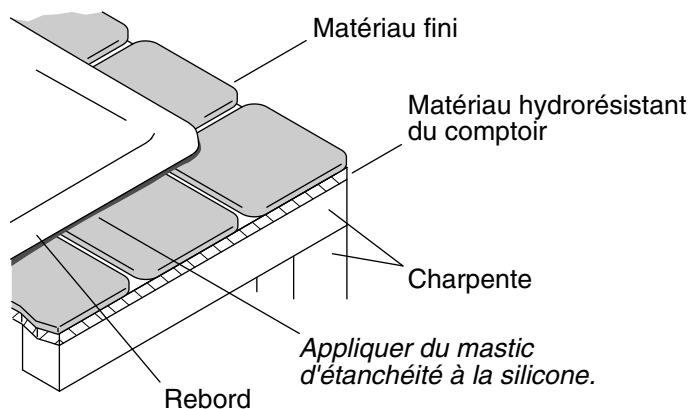


ATTENTION: Risque de dommages matériels. Ne pas utiliser de matériau d'étanchéité adhésif pour sécuriser le matériau du comptoir sur la baignoire. Un matériau d'étanchéité adhésif scellera de manière permanente le matériau du comptoir à la baignoire, ce qui rendrait la séparation difficile et onéreuse. Au lieu de cela, utiliser du mastic d'étanchéité à la silicone ou un mastic isolant qui facilitera la maintenance future ou l'extraction du matériau du comptoir.

- Nettoyer le rebord de la baignoire.

AVIS: Le boudin de mastic d'étanchéité à la silicone ou un mastic isolant doit être placé à un minimum de 2" (51 mm) du bord intérieur creux du rebord.

- Appliquer un boudin continu de mastic d'étanchéité à la silicone ou un mastic isolant sur tous les emplacements de jonction du rebord et du matériau du comptoir.
- Aligner et positionner correctement le matériau du comptoir par-dessus la baignoire.
- Presser fermement le comptoir sur la baignoire.
- Poser temporairement des poids sur le matériau du comptoir. Ceci maintiendra le matériau du comptoir en place pendant que le mastic d'étanchéité à la silicone sèche.
- Appliquer un boudin continu de mastic d'étanchéité à la silicone transparent à l'emplacement de jonction du rebord et du matériau du comptoir.
- Installer la garniture du robinet conformément aux instructions du fabricant.



8. Compléter l'installation – Encastrement par le dessus seulement

- Couvrir la charpente avec du matériau de comptoir hydro-résistant.

AVIS: Appliquer le mastic d'étanchéité à la silicone aux emplacements indiqués seulement.

- Utiliser du mastic d'étanchéité à la silicone pour sceller les joints entre le matériau de comptoir hydro-résistant et le rebord de la baignoire au niveau de la tête et du côté drain de la baignoire seulement. **Ne pas appliquer de mastic d'étanchéité à la silicone sur le rebord de la baignoire, le long de celle-ci.**

AVIS: Pour assurer l'utilisation prévue du rebord de la baignoire, laisser un espace de 1/16" (2 mm) entre le rebord de la baignoire et le matériau fini.

- Installer le matériau fini. Assurer un espace de 1/16" (2 mm) entre le rebord de la baignoire et le matériau fini sur toute la longueur de la baignoire.
- Appliquer un boudin de mastic d'étanchéité à la silicone dans la rainure entre le matériau fini et le rebord de la baignoire sur toute la longueur de celle-ci.
- Installer la garniture du robinet conformément aux instructions du fabricant.

Entretien et nettoyage

Pour obtenir les meilleurs résultats possibles, prendre ce qui suit en considération lors de l'entretien de votre produit KOHLER:

- Toujours tester la solution de nettoyage sur une surface non visible avant de l'appliquer sur l'ensemble de la surface.
- Essuyer les surfaces et rincer complètement avec de l'eau immédiatement après l'application du nettoyant. Rincer et sécher tout éclaboussement sur les surfaces avoisinantes.
- Ne pas laisser les nettoyants tremper sur les surfaces.
- Utiliser une éponge ou un chiffon doux et humide. Ne jamais utiliser de matériau abrasif tel qu'une brosse ou une éponge à récurer pour nettoyer les surfaces.
- La technique idéale de nettoyage est de bien rincer et de sécher toute eau de la surface après chaque usage.
- Utiliser une brosse douce en nylon sur les surfaces anti-glissantes Safeguard®. S'assurer d'utiliser un nettoyant hydrosoluble (qui se dissout à 100% dans l'eau).

Pour obtenir des informations détaillées sur le nettoyage et les produits à considérer, consulter le site www.kohler.com/clean. Pour commander des informations sur l'entretien & le nettoyage, appeler le 1-800-456-4537.

Garantie

Kohler Co. garantit les éléments en fonte des produits fabriqués après le 10 février 2000, contre tout vice de matériau et de fabrication lors d'une utilisation domestique normale, aussi longtemps que l'acquéreur d'origine demeure propriétaire de son domicile. Les ternissements, les rayures, les taches et les attaques alcalines sur la finition au fil du temps d'utilisation; les pratiques de nettoyage ou les conditions atmosphériques ou de l'eau ne sont pas considérés comme étant des vices de fabrication, mais sont des signes d'usure normale. La présente garantie s'applique uniquement aux produits en fonte KOHLER installés aux États-Unis, au Canada ou au Mexique (Amérique du Nord).

Si un vice est décelé lors d'une utilisation domestique normale, Kohler Co. choisira, à sa discrétion, la réparation, le remplacement ou la correction approprié. Tout dommage causé par un accident, une mauvaise utilisation ou un mauvais traitement n'est pas couvert par la présente garantie. Un entretien et un nettoyage inadéquats annulent la présente garantie. Une preuve d'achat (ticket de caisse d'origine) doit être présentée à Kohler Co. avec toutes les réclamations au titre de la garantie. Kohler Co. n'est pas responsable des frais de main-d'œuvre, d'installation ou de tout autre frais particulier, accessoire ou indirect. La responsabilité de Kohler Co. ne dépassera en aucun cas le prix d'achat du produit.

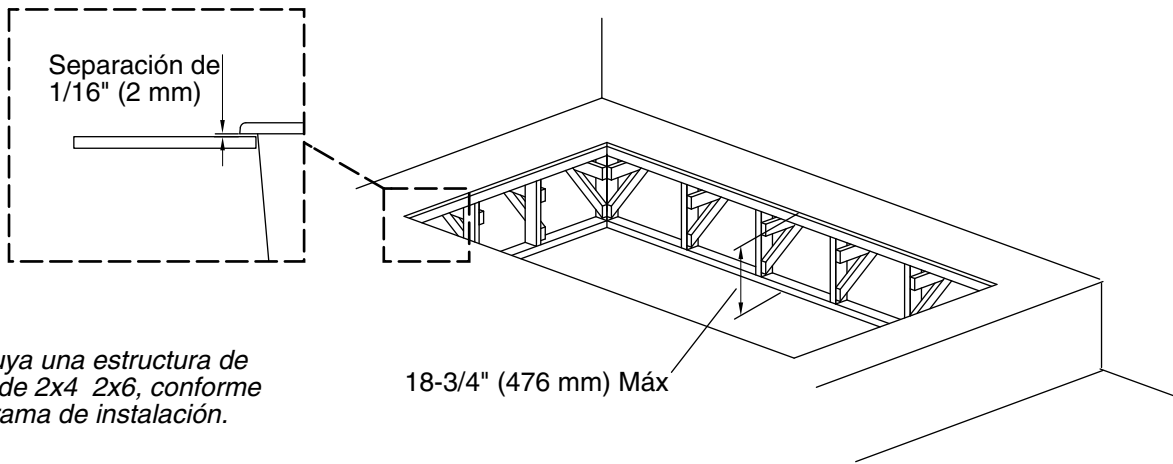
Si le produit en fonte est utilisé commercialement ou s'il est installé en dehors d'Amérique du Nord, Kohler Co. garantit le produit en fonte contre tout vice de matériau et de fabrication pendant un (1) an à partir de la date d'installation dudit produit et toutes les autres modalités de la présente garantie s'appliquent à l'exception de sa durée. Tous les autres éléments autres que ceux en fonte émaillée sont couverts par une garantie limitée d'un an de Kohler Co., sauf indication contraire.

Pour toute réclamation au titre de la présente garantie, contacter Kohler Co. par l'intermédiaire du vendeur, plombier, centre de rénovation ou revendeur par internet, ou bien par écrit à l'adresse suivante: Kohler Co., Attn.: Customer Care Center, 444 Highland Drive, Kohler, WI 53044, USA. Fournir tous les renseignements pertinents à la réclamation, dont notamment une description complète du problème et du produit, le numéro de modèle, la couleur, la finition, la date et le lieu d'achat du produit. Joindre également l'original de la facture. Pour de plus amples renseignements ou pour obtenir les coordonnées du service de réparation le plus proche, appeler le 1-800-4-KOHLER (1-800-456-4537) à partir des E.-U. et du Canada, et le 001-800-456-4537 à partir du Mexique, ou consulter le site www.kohler.com aux É.-U., www.ca.kohler.com à partir du Canada, ou www.mx.kohler.com au Mexique.

KOHLER CO. ET/OU LE REVENDEUR FOURNISSENT CETTE GARANTIE AU LIEU ET PLACE DE TOUTES AUTRES GARANTIES, EXPRESSES OU TACITES, Y COMPRIS LES GARANTIES TACITES DE COMMERCIALITÉ ET D'ADAPTATION À UN USAGE PARTICULIER. KOHLER CO. ET/OU LE REVENDEUR DÉCLINENT TOUTE RESPONSABILITÉ CONTRE LES DOMMAGES PARTICULIERS, ACCESSOIRES OU INDIRECTS.

Certains états et provinces ne permettent pas de limite sur la durée de la garantie tacite, ni l'exclusion ou la limite des dommages particuliers, accessoires ou indirects, et, par conséquent, lesdites limites et exclusions peuvent ne pas s'appliquer à votre cas. La présente garantie accorde au consommateur des droits juridiques particuliers. Vous pouvez également avoir d'autres droits qui varient d'un état ou d'une province à l'autre. La présente garantie est accordée uniquement à l'acquéreur d'origine et exclut tous dommages dus à une mauvaise installation, un usage abusif ou une mauvaise utilisation du produit, qu'ils soient effectués par un entrepreneur, une société de services ou le consommateur.

Ceci constitue la garantie écrite exclusive de Kohler Co.



Construya una estructura de postes de 2x4 2x6, conforme al diagrama de instalación.

18-3/4" (476 mm) Máx

1. Prepare la estructura de madera

AVISO: Mida el producto para la preparación del lugar. Visite la página del producto en www.kohler.com para más información.

Consideraciones de la estructura de postes de madera



PRECAUCIÓN: Riesgo de daños a la propiedad. Al planear la estructura de madera para la altura de la bañera, tome en cuenta la altura de la bañera **con los pies**. **No apoye la bañera sobre la estructura o el borde de la bañera.**

- Al planear la estructura de madera, tome en cuenta el espesor del material resistente al agua de la cubierta y el material de acabado.
- Si planea utilizar grifería y válvulas de montaje en cubierta, asegúrese de que haya suficiente espacio para su instalación.
- Se recomienda un panel de acceso para facilitar el mantenimiento futuro de la plomería.

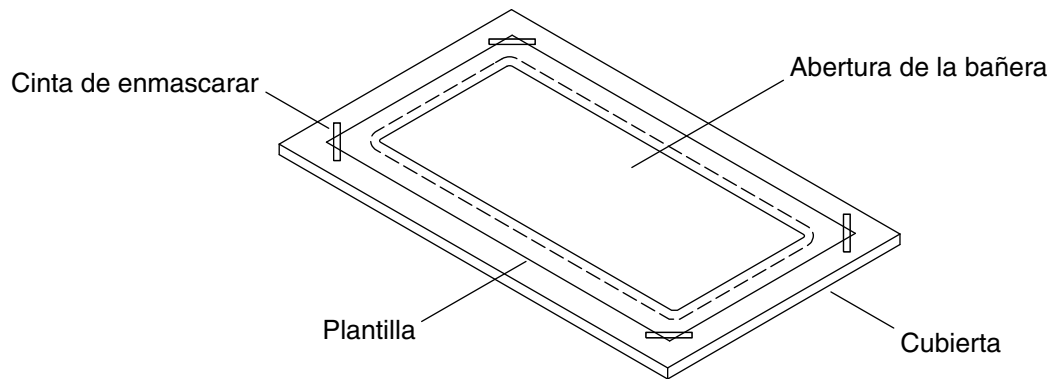
AVISO: Para asegurar que el borde la bañera a lo largo de la bañera se utilizará según el diseño:

- Asegúrese de que exista una separación de 1/16" (2 mm) entre el material de acabado y el lado inferior del borde de la bañera.
- Deje un espacio libre mínimo de 2" (51 mm) entre el filo del borde de la bañera y la pared acabada.

Prepare el sitio

AVISO: Instale en un subpiso a nivel que tenga el soporte adecuado.

- Instale un subpiso a nivel. Ajuste a que quede a nivel, si es necesario.
- Construya una estructura de postes de 2x4 ó 2x6 para su instalación en particular.
- Coloque las tuberías de plomería. Tape los suministros y verifique que no haya fugas.



2. Prepare la cubierta – Sólo instalación por abajo

- Con los fillos de la plantilla (provista) paralelos con los fillos de la cubierta, pegue la plantilla a la cubierta utilizando cinta de enmascarar.

NOTA: Se recomienda utilizar una cubierta con fillos en radio.

- Determine el tratamiento deseado para el filo de la cubierta. Consulte con el fabricante local de cubiertas para obtener las instrucciones correctas de corte de los fillos de la cubierta.
- Utilizando el método de corte adecuado para su tipo de cubierta, corte a lo largo del filo de la línea de corte de la plantilla.
- Retire la plantilla al terminar de cortar.
- Alise el filo de la cubierta según sea necesario.
- Con cuidado coloque la cubierta arriba de la bañera para asegurar que quede correctamente y se vea bien. Ajuste según sea necesario.



PRECAUCIÓN: Riesgo de daños a la propiedad. Se deben instalar refuerzos para soportar el peso de la cubierta desde abajo. No confíe en que la bañera sola soportará este peso. Consulte las instrucciones provistas con la cubierta para la instalación correcta del refuerzo. Si no instala refuerzos, la cubierta puede flexionarse y posiblemente dañar la bañera.

- Utilizando postes de madera de 2x4 u otro material de refuerzo, agregue refuerzos (se requiere) al lado inferior de la cubierta.

3. Prepare la plomería

NOTA: Para instalaciones de desagüe a través del piso: Necesitará hacer un orificio para desagüe para realizar las conexiones del desagüe. Para instalaciones de desagüe arriba del nivel del piso: No será necesario hacer un orificio.

- Coloque las tuberías de plomería.
- Tape los suministros y verifique que no haya fugas.

4. Prepare la bañera



ADVERTENCIA: Riesgo de lesiones personales. Utilice equipo de protección personal y obtenga suficiente ayuda para levantar o desplazar la bañera con cuidado. Las bañeras de hierro fundido son muy pesadas. Si la bañera de hierro fundido no se levanta correctamente, pueden ocurrir lesiones personales.

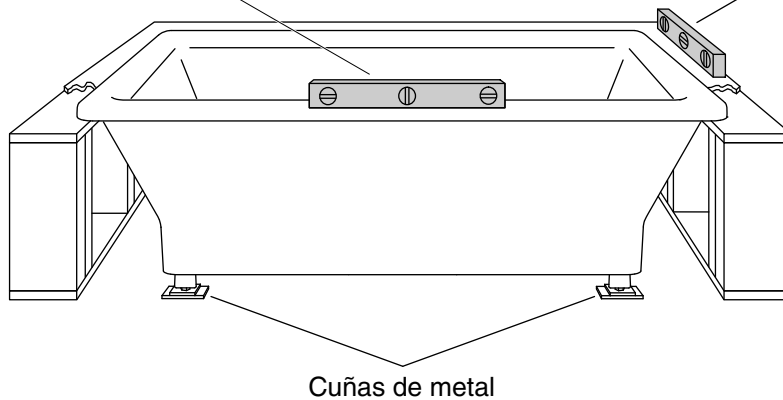
- Coloque una protección de piso o tapete cerca del área de instalación. Esto evitará daños al piso y a la bañera, al colocar la bañera en el piso.

Prepare la bañera (cont.)

- Con la ayuda de un asistente, saque la bañera de la caja de cartón y colóquela arriba de la protección del piso.
- Fije el desagüe en la bañera según las instrucciones del fabricante del desagüe. **Aún no conecte la trampa.**
- Coloque una lona limpia en el fondo de la bañera. Esto evitará que la superficie de la bañera se raye durante el proceso de instalación.

Verifique que esté a nivel.

Verifique que esté a nivel.



5. Instale la bañera



ADVERTENCIA: Riesgo de lesiones personales. Utilice equipo de protección personal y obtenga suficiente ayuda para levantar o desplazar la bañera con cuidado. Las bañeras de hierro fundido son muy pesadas. Si la bañera de hierro fundido no se levanta correctamente, pueden ocurrir lesiones personales.

NOTA: La ilustración de arriba muestra una bañera de sobreponer. Las instrucciones de instalación aplican para ambas bañeras, de instalación por abajo y de sobreponer.

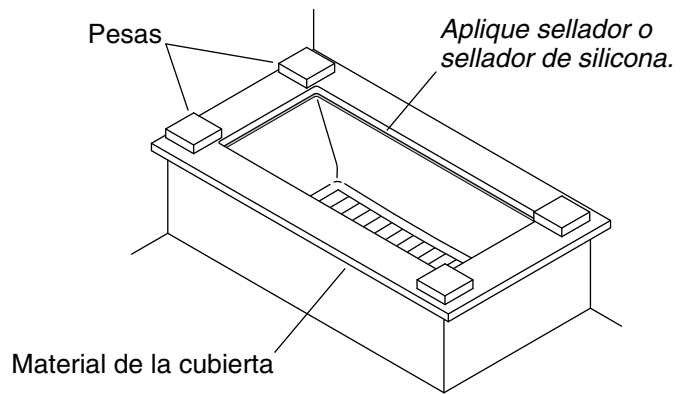
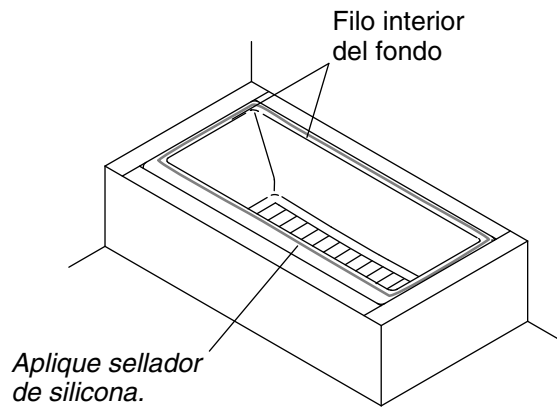
- Con ayuda, mueva con cuidado la bañera al lugar de instalación.
- Conecte el tubo final del desagüe a la trampa.
- Verifique que la bañera: (1) esté a nivel en la parte superior de la bañera, (2) esté a plomo del lado del desagüe y (3) descansa en los cuatro pies. Si la bañera no está a nivel, debe instalar cuñas de metal debajo de los pies de la bañera.
- Para nivelar la bañera, pida que varias personas levanten la bañera mientras una persona desliza las cuñas de metal debajo de los pies de la bañera.

6. Instale la plomería



PRECAUCIÓN: Riesgo de daños a la propiedad. Debe existir un sello hermético en todas las conexiones del desagüe de la bañera. Este sello hermético evitará daños a la propiedad.

- Conecte la trampa al desagüe.
- Instale las válvulas de la grifería según las instrucciones del fabricante de la grifería. **No instale la guarnición de la grifería en este momento.**
- Haga circular agua en la bañera. Revise que no haya fugas en las conexiones de desagüe.
- Llene la bañera hasta el rebosadero. Verifique que no haya fugas.



7. Termine la instalación – Sólo instalación por abajo

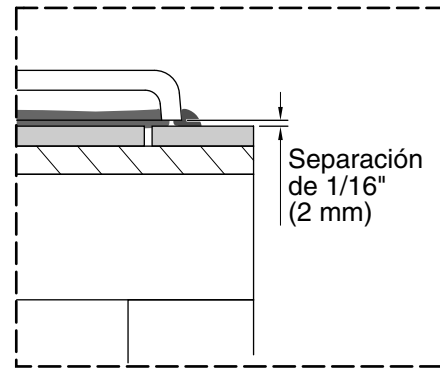
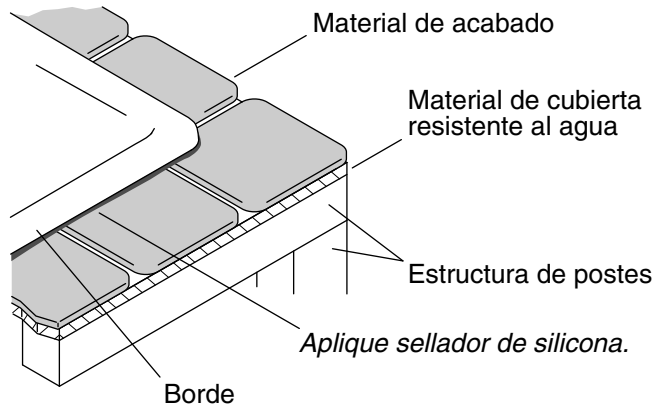


PRECAUCIÓN: Riesgo de daños a la propiedad. No utilice sellador adhesivo para fijar el material de la cubierta a la bañera. El sellador adhesivo pegará permanentemente el material de la cubierta a la bañera haciendo que la separación sea difícil y costosa. En su lugar, utilice sellador de silicona, el cual facilitará el mantenimiento futuro o la desinstalación del material de la cubierta.

- Limpie el borde de la bañera.

AVISO: La tira de sellador de silicona u otro sellador debe colocarse no más cerca de 2" (51 mm) del filo interior del lado del fondo del borde.

- Aplique una tira continua de sellador de silicona u otro sellador en todas las áreas donde el borde de la bañera hará contacto con el material de la cubierta.
- Alinee y coloque correctamente el material de la cubierta sobre la bañera.
- Presione firmemente la cubierta sobre la bañera.
- Coloque provisionalmente pesas en el material de la cubierta. Esto sostendrá el material de la cubierta en su lugar mientras se seca el sellador de silicona.
- Aplique una tira continua de sellador de silicona transparente donde el borde de la bañera hará contacto con el material de la cubierta.
- Instale la guarnición de la grifería según las instrucciones del fabricante.



8. Termine la instalación Sólo instalación de sobreponer

- Cubra la estructura con material de cubierta resistente al agua.

AVISO: Sólo aplique sellador de silicona donde se indique.

- Utilice sellador de silicona para sellar las juntas entre el material de cubierta resistente al agua y el borde de la bañera solamente en el extremo de la cabeza y del desagüe de la bañera. **No aplique sellador de silicona al borde de la bañera a lo largo de la bañera.**

AVISO: Para asegurar que el borde de la bañera se utilice según el diseño, deje una separación de 1/16" (2 mm) entre el borde de la bañera y el material de acabado.

- Instale el material de acabado. Asegúrese de que exista una separación de 1/16" (2 mm) entre el borde de la bañera y el material de acabado a lo largo de la bañera.
- Aplique una tira de sellador de silicona en la ranura entre el material de acabado y el borde de la bañera para el largo de la bañera.
- Instale la guarnición de la grifería según las instrucciones del fabricante.

Cuidado y limpieza

Para obtener los mejores resultados, tenga presente lo siguiente al limpiar su producto KOHLER:

- Siempre pruebe la solución de limpieza en un área oculta antes de aplicarla a toda la superficie.
- Limpie con un trapo las superficies y enjuague completa e inmediatamente con agua después de aplicar el limpiador. Enjuague y seque las superficies cercanas que se hayan rociado.
- No deje los limpiadores por tiempo prolongado en las superficies.
- Utilice una esponja o trapo suave y húmedo. Para limpiar las superficies, nunca utilice materiales abrasivos como cepillos o estropajos de tallar.
- La técnica de limpieza ideal es enjuagar completamente y secar dando toques suaves el agua de la superficie después de cada uso.
- Utilice un cepillo de nylon suave en la superficie antiresbalante Safeguard®. Asegúrese de utilizar un limpiador soluble en agua (que disuelva al 100% en el agua).

Para obtener información detallada de limpieza y los limpiadores a considerar, visite www.kohler.com/clean. Para solicitar información sobre el cuidado y la limpieza, llame al 1-800-456-4537.

Garantía

Kohler Co. garantiza que los componentes de hierro fundido de productos fabricados después del 10 de febrero del 2000 están libres de defectos de material y mano de obra durante el uso residencial normal, mientras el comprador consumidor original sea el propietario de su casa. La reducción del brillo, las

Garantía (cont.)

raspaduras, las manchas y el ataque alcalino que puedan aparecer con el tiempo como consecuencia del uso, prácticas de limpieza o condiciones atmosféricas o del agua, no serán considerados como defectos de fabricación, sino que son señales indicativas del desgaste normal. Esta garantía se aplica sólo a los productos de hierro fundido KOHLER instalados en los Estados Unidos de América, Canadá y México (Norteamérica).

Si se encuentra un defecto durante el uso residencial normal, Kohler Co., a su criterio, reparará, reemplazará o realizará los ajustes pertinentes. Esta garantía no cubre daños causados por accidente, abuso o uso indebido. El cuidado y la limpieza indebidos anularán la garantía. Al presentar las reclamaciones de garantía a Kohler Co., es necesario incluir la prueba de compra (recibo de venta original). Kohler Co. no se hace responsable de costos de mano de obra, instalación u otros costos incidentales o indirectos. En ningún caso la responsabilidad de Kohler Co. excederá el precio de compra del producto.

Si el producto de hierro fundido se utiliza comercialmente o se instala fuera del territorio de Norteamérica, Kohler Co. garantiza que el producto de hierro fundido está libre de defectos de material y mano de obra por un (1) año, a partir de la fecha de instalación del producto, estando en efecto todas las demás condiciones de esta garantía, excepto la duración. Todos los demás componentes, excepto el hierro fundido esmaltado, llevan la garantía limitada de un año de Kohler Co., a menos que se indique lo contrario.

Si usted considera que tiene una reclamación en virtud de la garantía, comuníquese con Kohler Co., a través de su distribuidor, contratista de plomería, centro de remodelación o distribuidor por Internet, o escriba a: Kohler Co., Attn.: Customer Care Center, 444 Highland Drive, Kohler, WI 53044, USA. Por favor, asegúrese de proporcionar toda la información pertinente a su reclamación, incluyendo una descripción completa del problema, el producto, el número de modelo, el color, el acabado, la fecha de compra y el lugar de compra del producto. También incluya el recibo original. Para información adicional, o para obtener el nombre y dirección del lugar de reparación y servicio más cercano a usted, llame al 1-800-4-KOHLER (1-800-456-4537) desde los EE.UU. y Canadá, y al 001-800-456-4537 desde México, o visite www.kohler.com desde los EE.UU., www.ca.kohler.com desde Canadá, o www.mx.kohler.com en México.

KOHLER CO. Y/O EL VENDEDOR OFRECEN ESTAS GARANTÍA QUE SUSTITUYEN TODAS LAS DEMÁS GARANTÍAS, EXPRESAS O IMPLÍCITAS, INCLUYENDO, ENTRE OTRAS, LAS GARANTÍAS IMPLÍCITAS DE COMERCIALIZACIÓN E IDONEIDAD PARA UN USO DETERMINADO. KOHLER CO. Y/O EL VENDEDOR DESCARGAN TODA RESPONSABILIDAD POR CONCEPTO DE DAÑOS PARTICULARES, INCIDENTALES O INDIRECTOS.

Algunos estados/provincias no permiten limitaciones en cuanto a la duración de una garantía implícita o a la exclusión o limitación de daños particulares, incidentales o indirectos, por lo que estas limitaciones y exclusiones pueden no aplicar a su caso. Esta garantía otorga al consumidor ciertos derechos legales específicos. Además, usted puede tener otros derechos que varían de estado a estado y provincia a provincia. Esta garantía está destinada únicamente para el comprador consumidor original y excluye todo daño al producto como resultado de errores de instalación, abuso del producto o uso indebido del mismo, bien sea por parte de un contratista, compañía de servicios o el consumidor mismo.

Ésta es la garantía exclusiva por escrito de Kohler Co.

USA/Canada: 1-800-4KOHLER

México: 001-800-456-4537

kohler.com

THE BOLD LOOK
OF **KOHLER**®

©2012 Kohler Co.

1207305-2-A