



# 6.0 cu. ft. Double Oven Gas Range

KFGD500E



Stainless Steel  
KFGD500ESS

### Also available in:

- White **KFGD500EWH**
- Black **KFGD500EBL**
- Black Stainless Steel with PrintShield™ Finish **KFGD500EBS**

### Key Features & Benefits

#### Even-Heat™ True Convection

Produces flawless results. The unique bow-tie design and convection fan ensure the inside of the entire oven is heated to, and stays at, the perfect temperature.

#### 6.0 Cu. Ft. Total Capacity

Combined upper and lower oven capacities provide more room to cook multiple dishes at the same time.

#### Professionally-Inspired Design

Combines a bold blend of professionally-inspired styling with sleek touches for the home. This double oven range features Satin Textured Handles and the KitchenAid® Badge, a symbol of uncompromised quality.

### Capacity

Upper Oven	2.1 cu. ft.
Lower Oven	3.9 cu. ft.

### General Features & Properties

5 Burners
EasyConvect™ Conversion System
Glass Touch Controls
SatinGlide® Rack
Hidden Bake
Stainless Steel Cooktop

### Electrical Details

Amps	15
Volts	120

### Technical Details

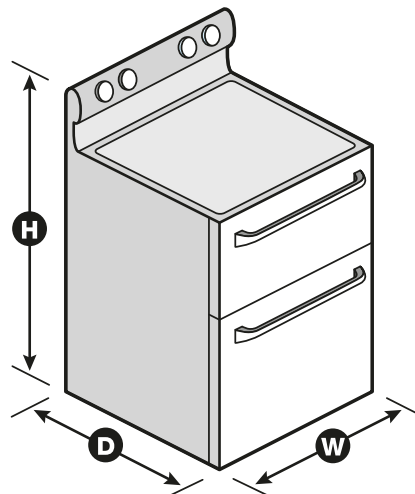
Fuel Type	Gas
Range Type	Freestanding Double Oven
Oven Cooking System	Upper: Thermal Lower: Convection
Number of Oven Racks	Upper: 1 Lower: 2
Cleaning Type	Self-Cleaning
Number of Burners	5
Burner Type	Sealed Burners
Burner Size/Power	(1) 17,000 BTU (1) 10,000 BTU (1) 7350 BTU (2) 5000 BTU

### Dimensions

Product Dimensions (H x W x D)	47-3/8" x 29-15/16" x 28-1/2"
Depth with Door Open 90°	45-1/2"

### Reference Material

- [Dimension Guide](#)
- [Install Guide](#)
- [Use & Care Guide](#)
- [Warranty](#)



NOTE: Dimensions are for planning purposes only. For complete details, see Installation Instructions packed with product. Specifications subject to change without notice.

®/™ © 2020. All rights reserved. Printed in the U.S.A. D200052XXB. KFGD500ESPECSHEETV01.