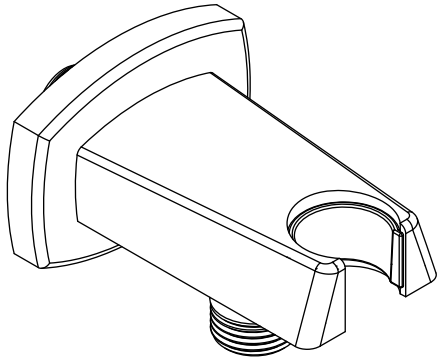


240.8006 | Wall Elbow With Holder Combo

SPECIFICATIONS:

- Solid Brass Construction
- Includes Check Valve with back flow prevention.



Legislation Compliance



ZeroDrip Technology



Technical Diagram

