



160.2400 | 4-Hole Deck Mounted Roman Tub Filler With Hand Held Shower

SPECIFICATIONS:

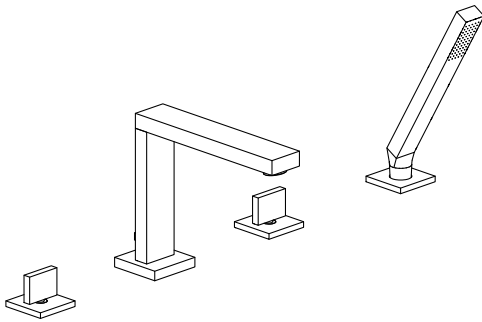
- Solid Brass construction - includes valves
- Four Hole Installation
- Flow Rate = 7.5 GPM @ 60 PSI
- Hand Shower Flow Rate = 2.0 GPM @ 60 PSI w/ back flow prevention
- Diverter handle controls water flow between spout and hand held

FAST SHIP FINISHES :

- Chrome - 160.2400CP, Brushed Nickel - 160.2400BN

STANDARDS:

- ASME A112.18.1 / CSA B125.1



Legislation Compliance



ZeroDrip Technology



Technical Diagram

