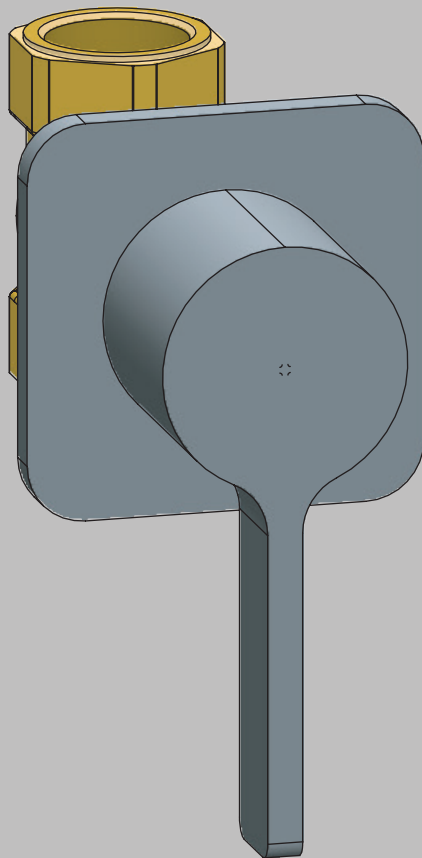




Installation Manual - 260.4511

3/4" Volume Control



BEFORE YOU BEGIN

- You must observe all local plumbing laws and codes.
- Do not install this valve if it does not meet local plumbing codes.
- Shut off the main water supply.

TABLE OF CONTENTS

• Operating Specifications	1
• Valve Installation And Tolerance	
• Cut-Out Dimensions	1
• Rough In Specification	2
• Connecting The Water Lines - & Accompanying Valves	3
• Trim Markings / Water Output	4
• Flushing The Valve / Replacing Volume Cartridge	5
• Cartridge Maintenance	5
• Installing The Trim	6
• Installing The Extension Kit	8

NOTICE TO HOMEOWNER

- We recommend that this product is installed by a qualified professional plumber.
- Please check this product immediately to ensure that it has not been damaged and is complete. Before installation, please make sure this product is the correct model and you have all the parts required for installation and use.
- Please flush the water system to ensure that no metal swarf, solder, and other impurities can enter the product.
- Turn off water supply before commencing work.
- Please read these instructions carefully and retain for future reference.

OPERATING SPECIFICATIONS

WATER TEMPERATURE



This product is to be used with water at a temperature range of 40°F - 120°F ONLY!

WATER PRESSURE



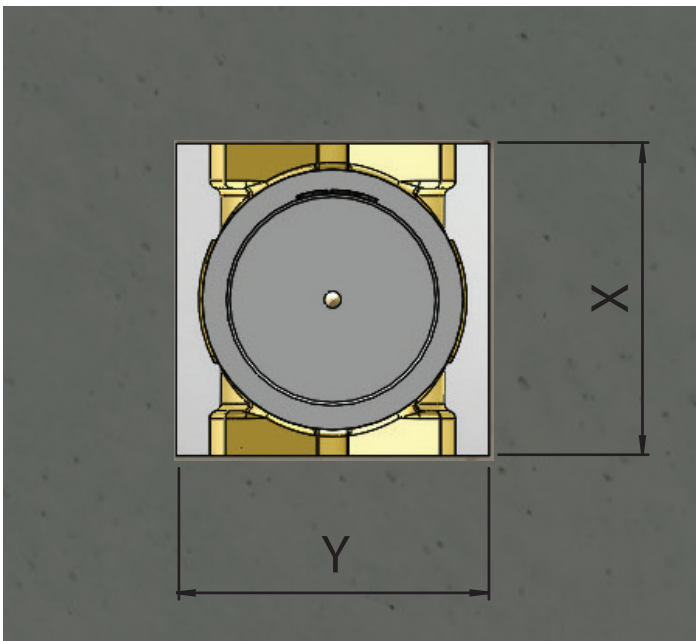
This product is to be used with a water pressure range of 15 PSI to 80 PSI ONLY

If water pressure is greater than 80 PSI install a pressure reducing valve (PRV)

This valve meets or exceeds ANSI A112.18.1 and ASSE 1016

This valve is certified by IAPMO

CUT OUT DIMENSIONS



Isenberg's TVH Series valves come with a black pre-attached mud-guard. This mud-guard is not to be removed or discarded. Its purpose is to guide the installation professional on the proper cut-out dimensions of the drywall.

Wall Cut Out Dimensions
From **Center Point** of Valve:

TVH.4511

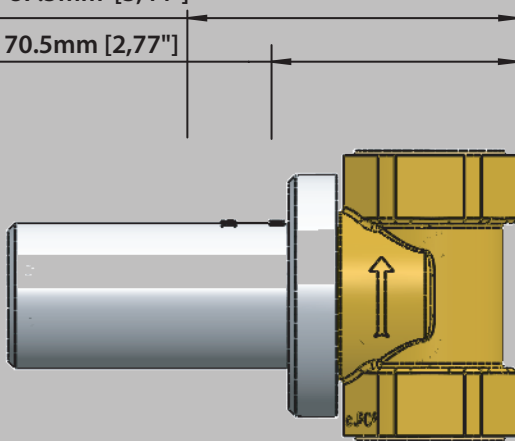
X = 42mm / 1.65"

Y = 42mm / 1.65"

ROUGH IN SPECIFICATION

Maximum = 87.5mm [3,44"]

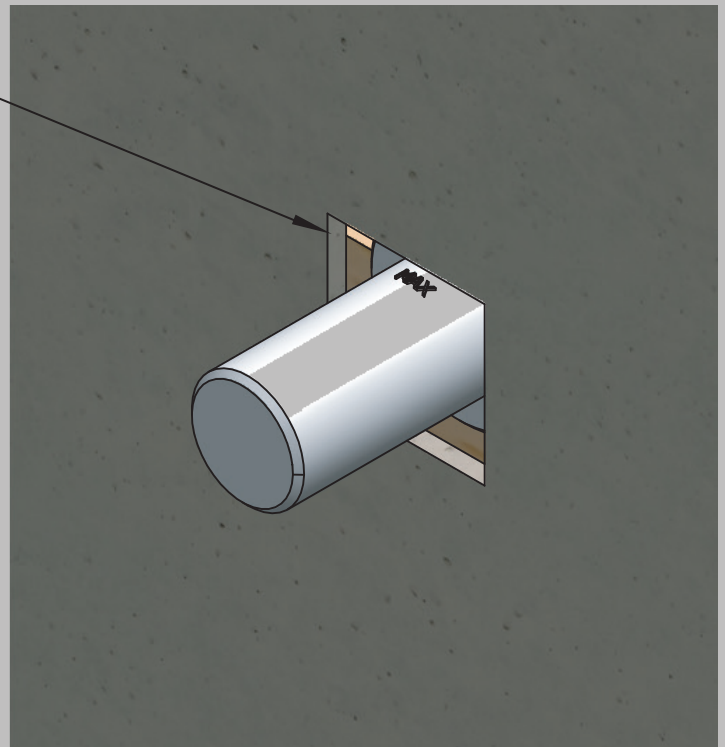
Minimum = 70.5mm [2,77"]



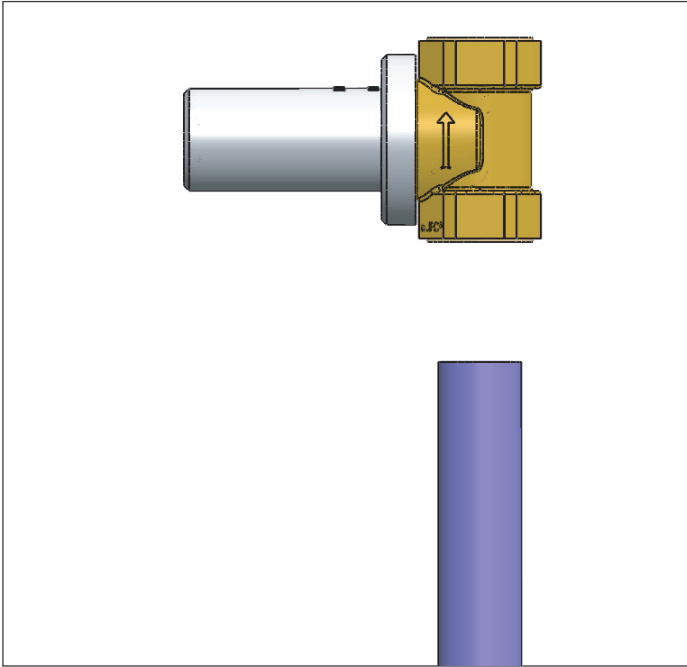
The distance between back of the valve to the finished tile surface should be between 2.77" and 3.44" inches.

Finished tile should fall between Min & Max.

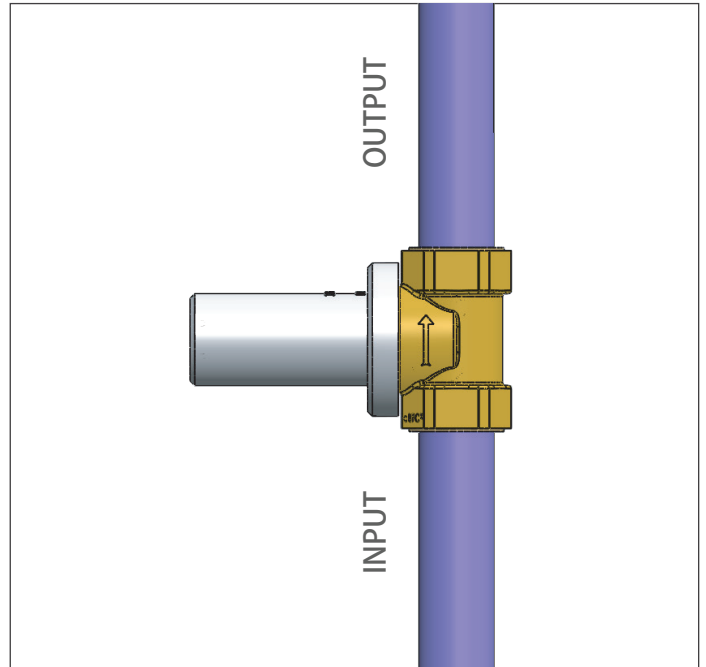
If valve is installed too deep into the wall, extensions are available.



CONNECTING THE WATER LINES



Connect Rigid piping to the input. This will support the valve

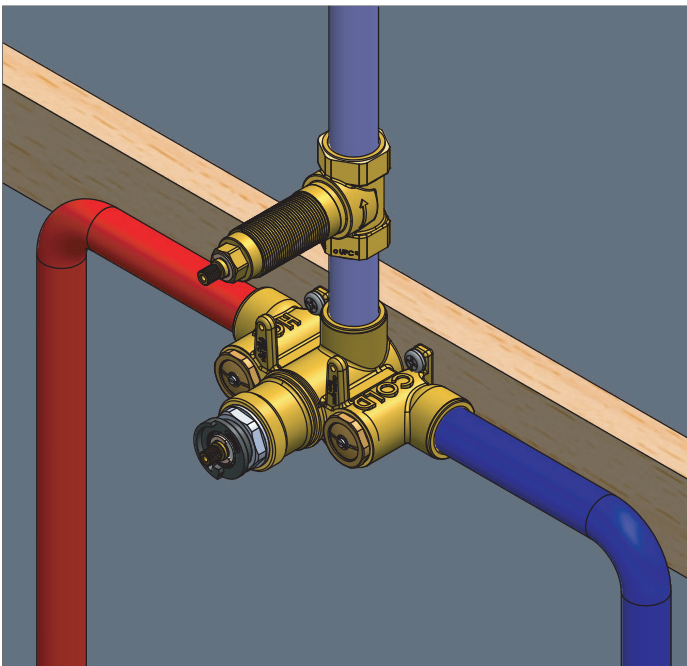


Level Valve

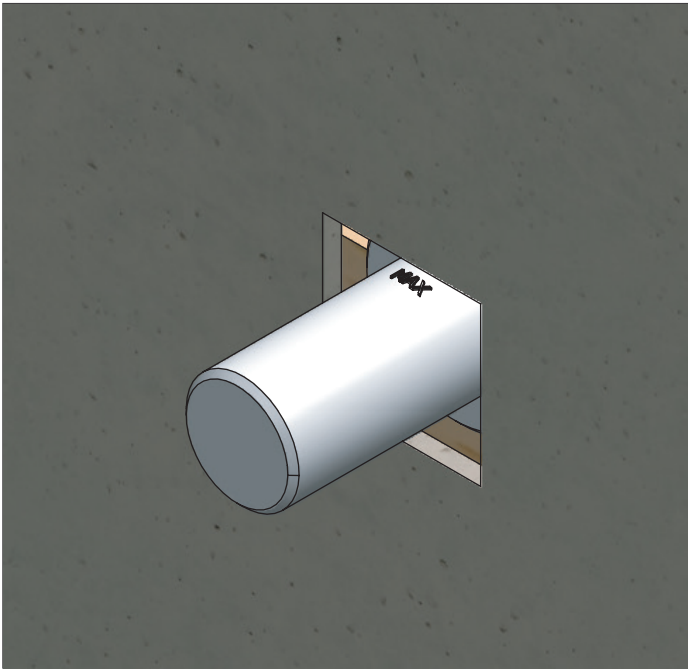
ACCOMPANYING VALVE USAGE

The TVH.4511 valve has no temperature control ability. In order to achieve temperature control ability it should be used in combination with a temperature control valve such as the Isenberg TVH.4201.

The image on the left is for illustrative purposes only and is by no means the only connection scenario.



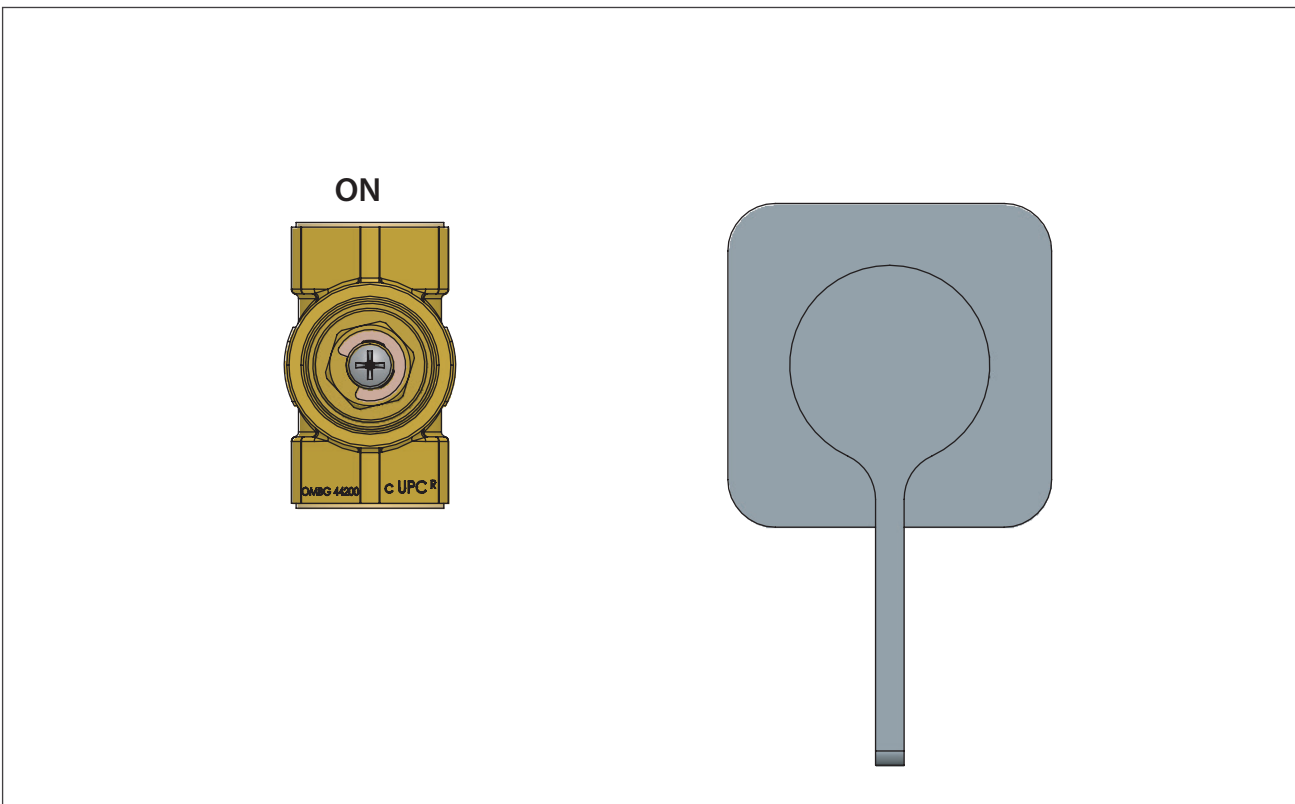
FINISHED TILE POSITION



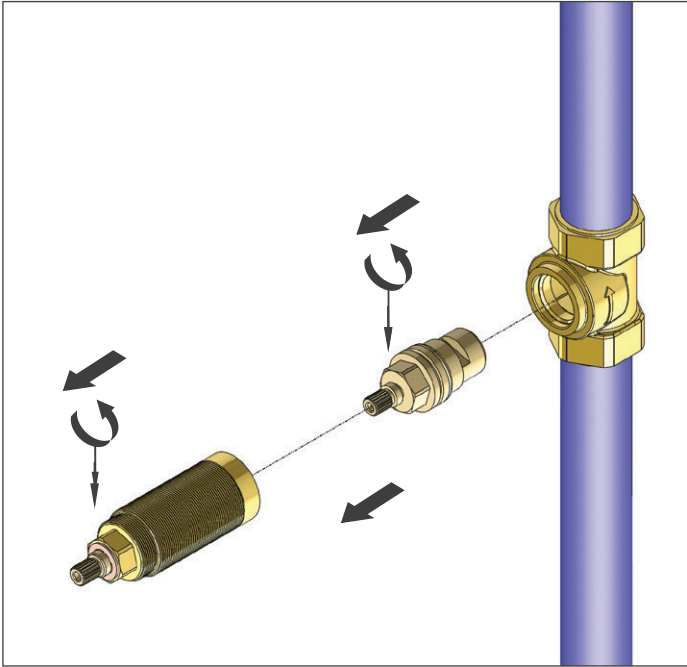
Install Drywall and Tile. Ensure finished tile surface is between the min and max marks on the mid guards.

TRIM MARKINGS / WATER OUTPUT

The below diagram shows the markings on the trim plate and the outputs on the valve. This will help the installation professional to connect the appropriate accessories to the valve output ports



FLUSHING THE VALVE / REPLACING THE VOLUME CARTRIDGE

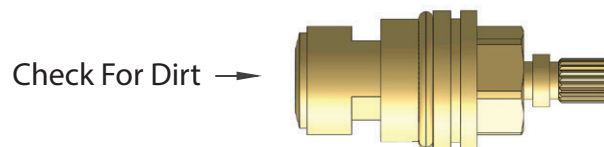


In order to clear dirt in the lines - you must flush the valve before the wall is closed and water is turned on for the first time.

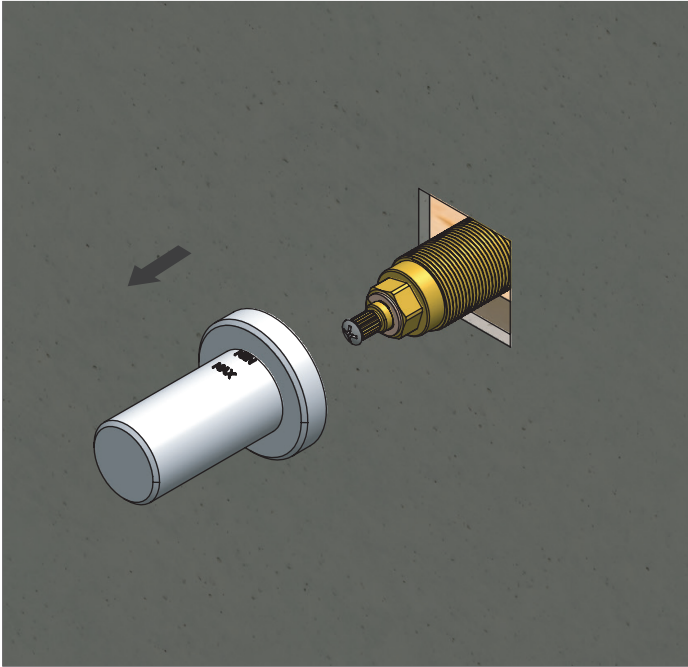
- 1) Remove cartridge by turning with a spanner
- 2) Turn on water supply and let water flow removing any dirt in the lines.

CARTRIDGE CLEANING & MAINTENANCE

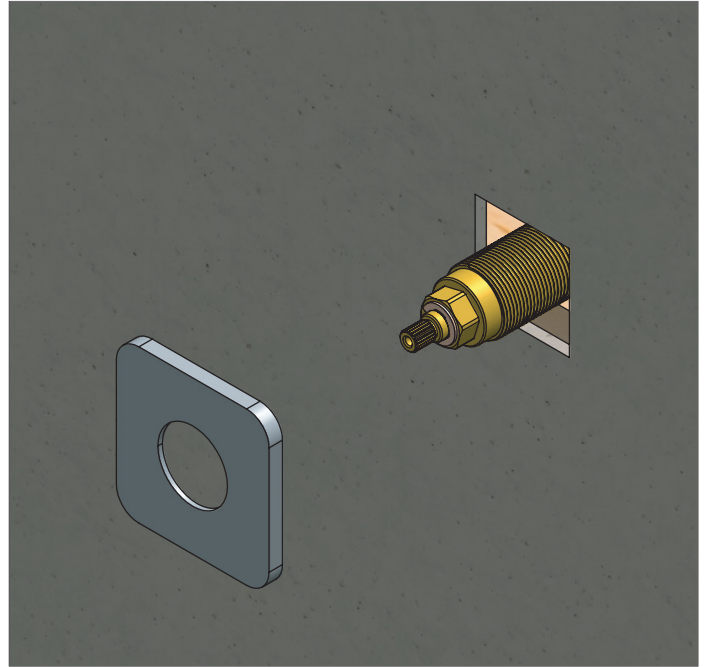
Volume Control Cartridge:



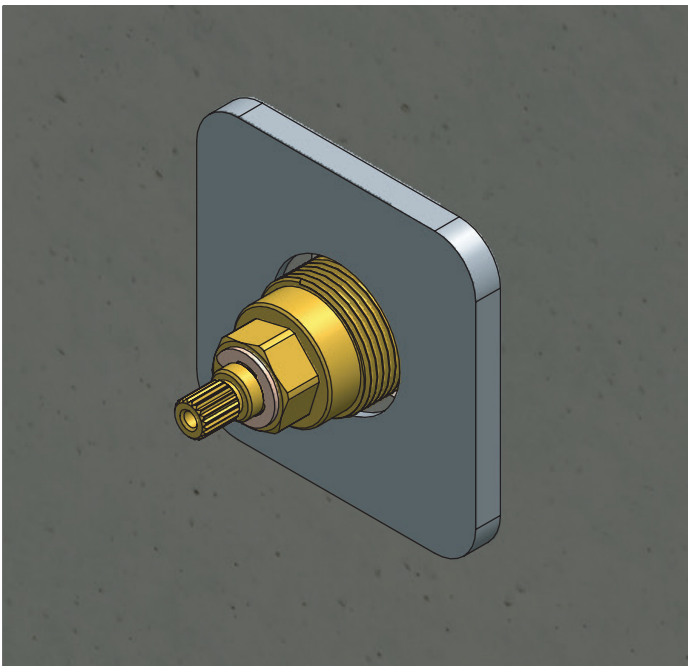
INSTALLING THE TRIM - TRIM PLATE SIZE AND SHAPE MAY VARY - ILLUSTRATION ONLY



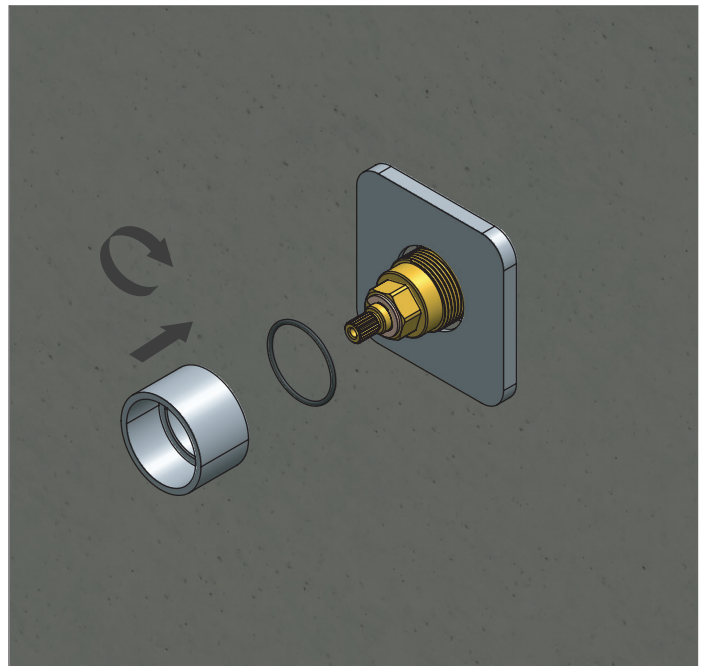
Remove mud guards



Insert trim plate



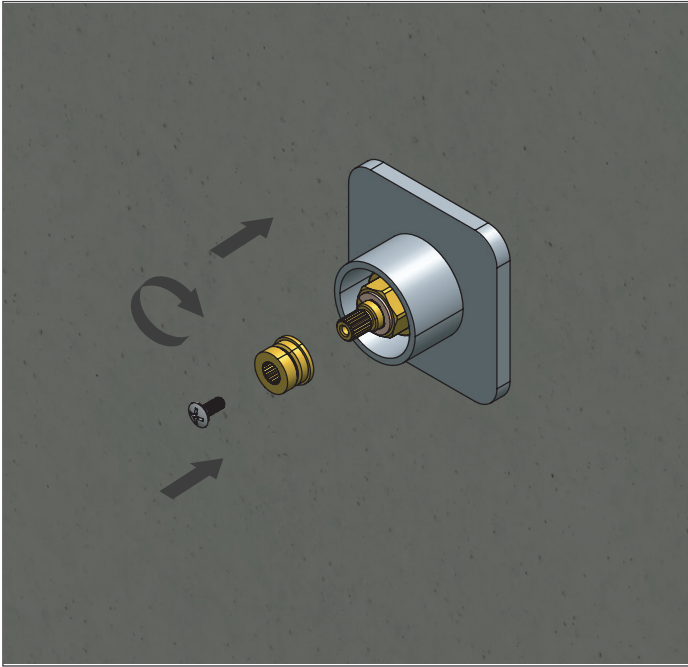
Align Trim plate till it is straight



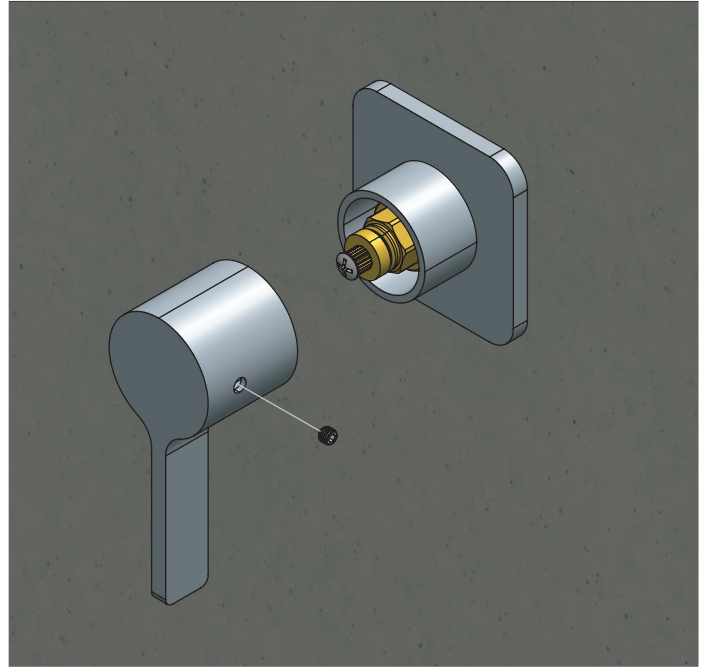
Insert adaptor base and tighten



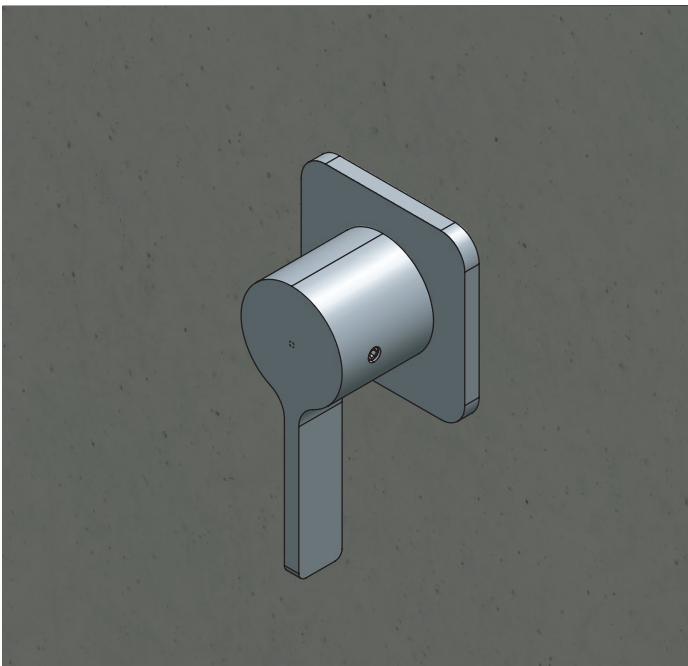
INSTALLING THE TRIM - TRIM PLATE SIZE AND SHAPE MAY VARY - ILLUSTRATION ONLY



Insert centering knob & screws

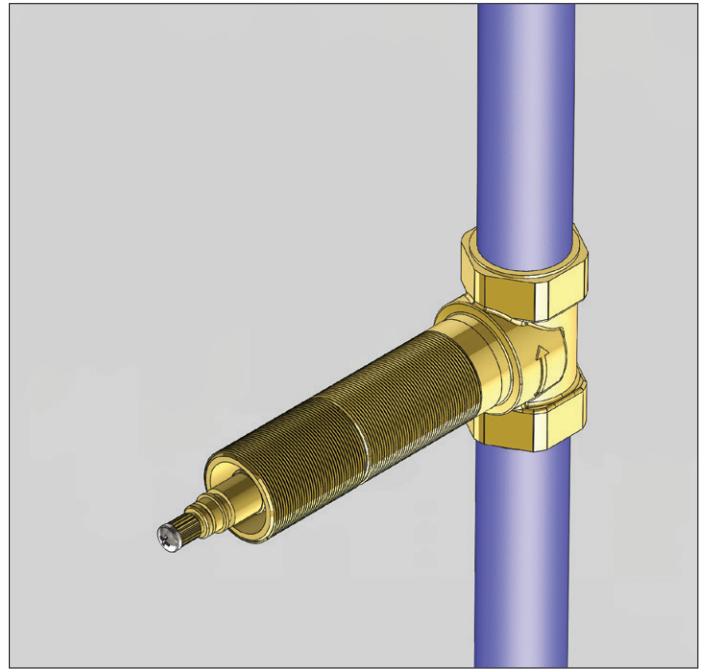
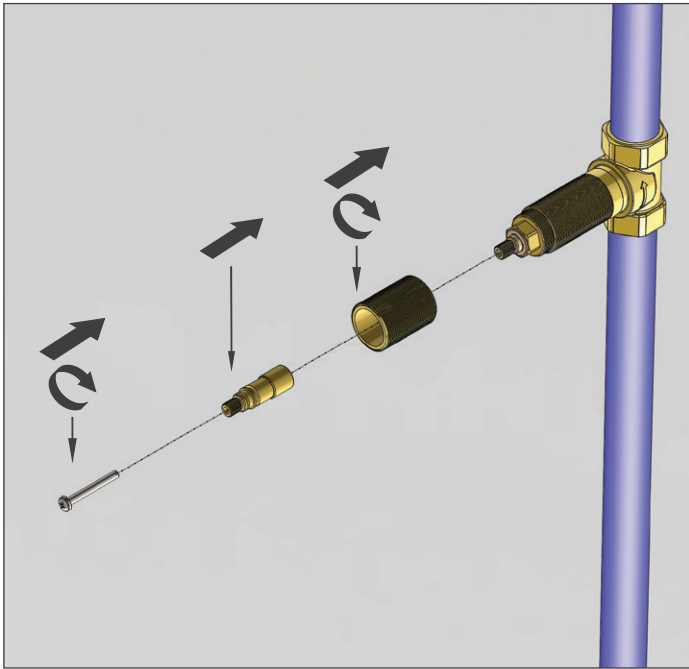


Insert handle. Tighten hex screw & insert cover button. Make sure the diverter is set to the "OFF" marking before your begin



This photo shows a completely installed trim

INSTALLING EXTENSIONS TO THE VALVE - OPTIONAL



Install extension kit - 3 Pieces as shown above