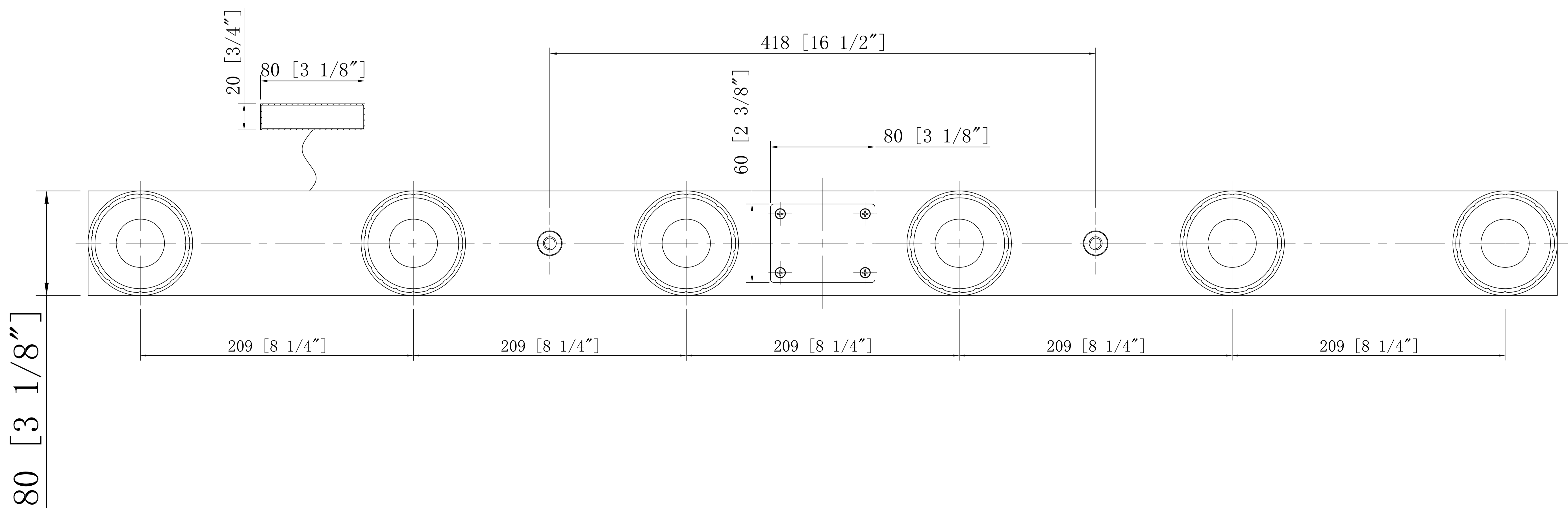
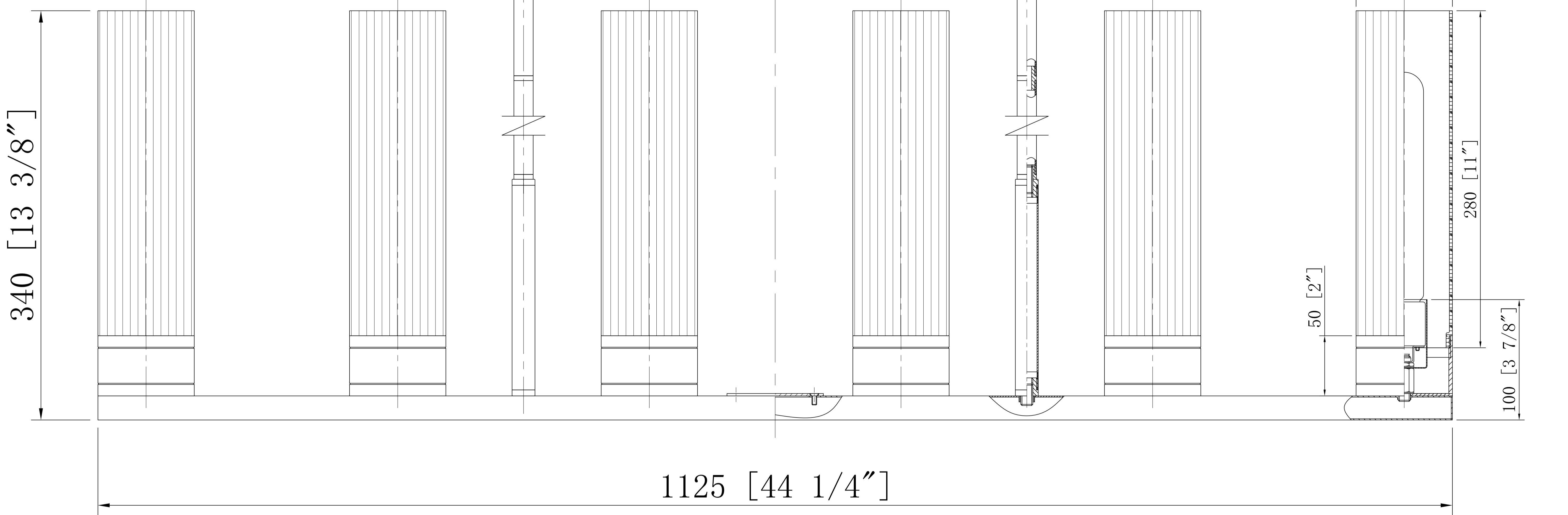
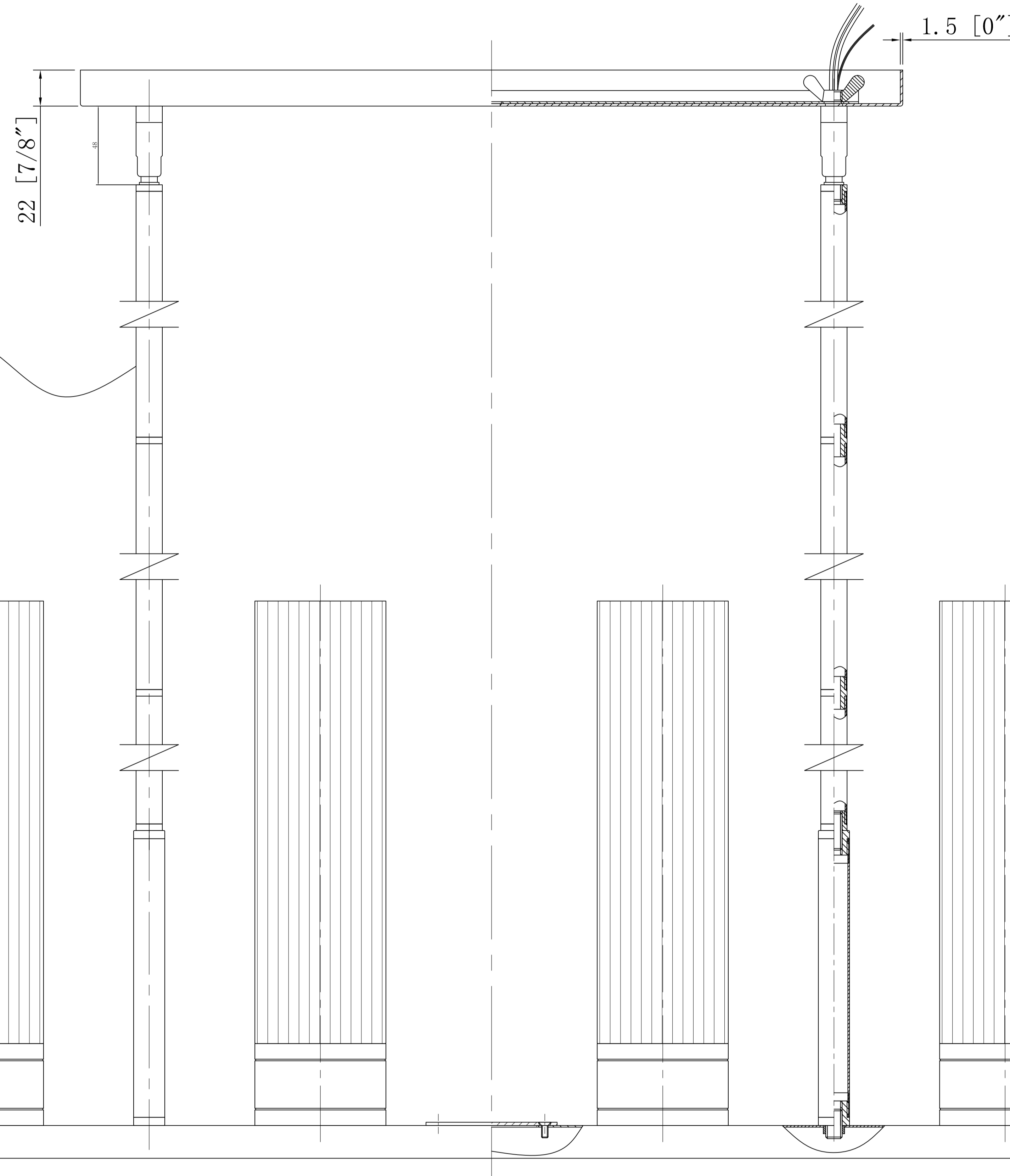
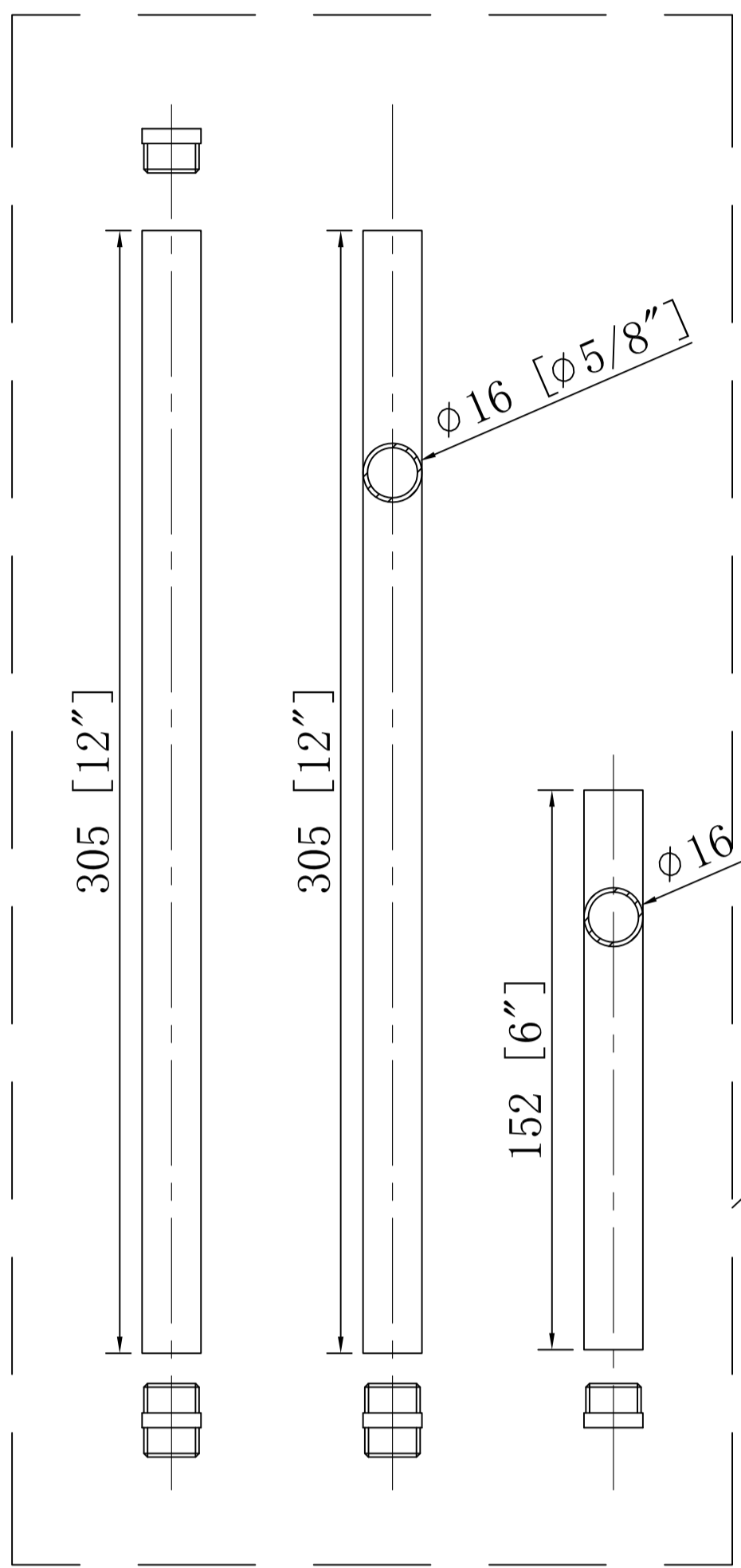
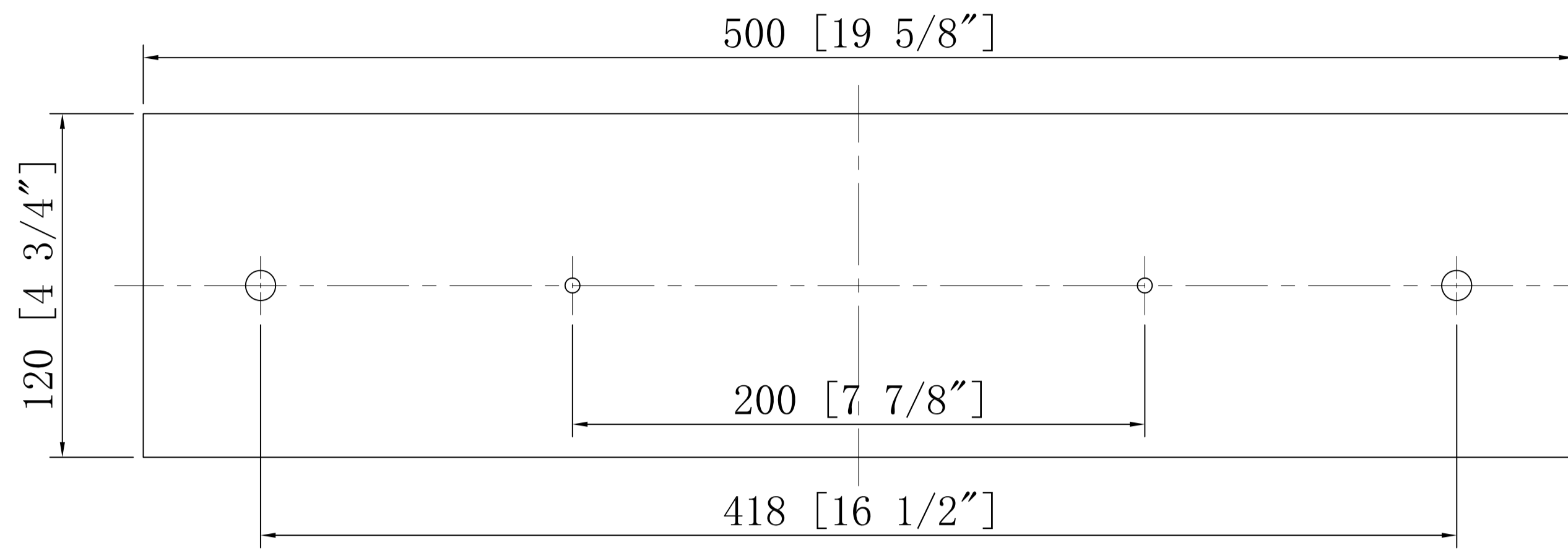


**DESIGN COPYRIGHT – 11/03/2022**  
ALL RIGHTS RESERVED AND MAY  
NOT BE DUPLICATED WITHOUT OUR  
WRITTEN PERMISSION



**ITEM: 429-6I-11**