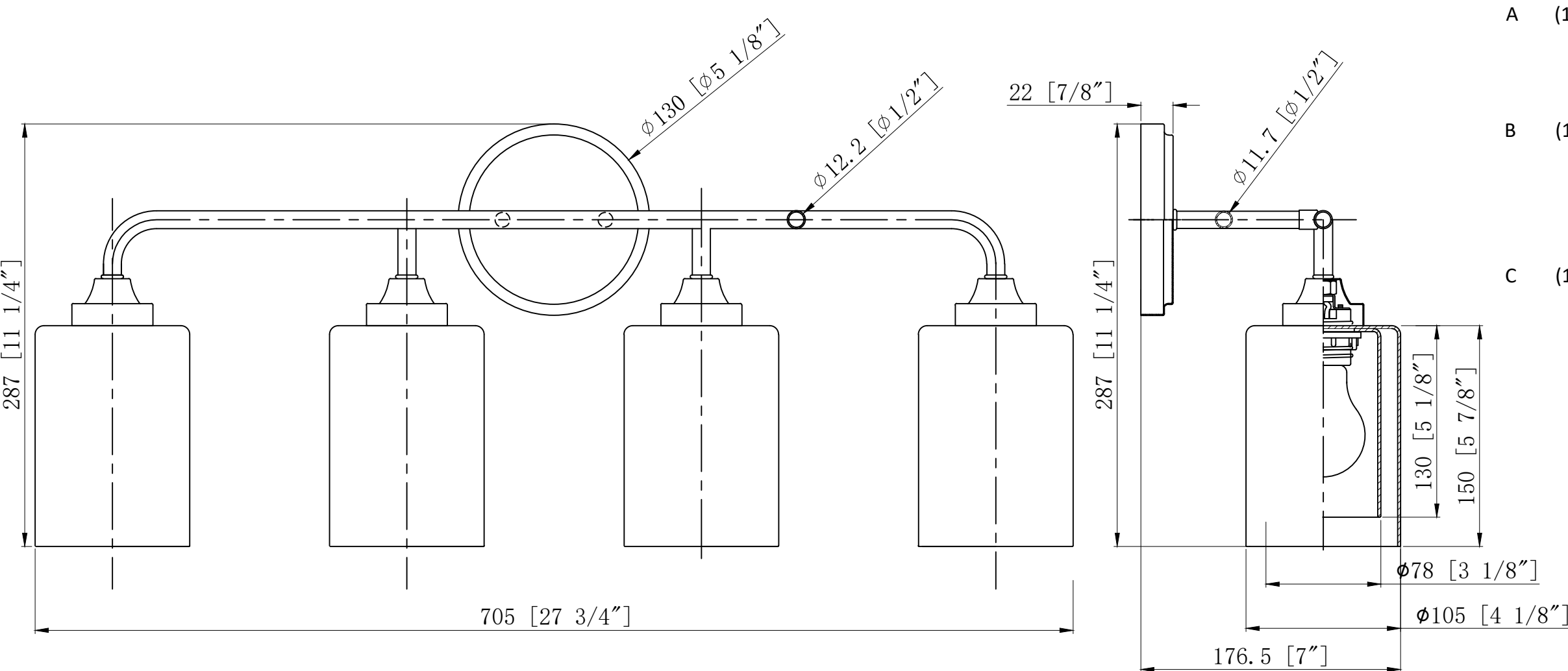


UL SPECIFICATION

- * FIXTURE SHALL BE LISTED FOR LOCATION ONLY AND LABELED AS SUCH.
- * FIXTURE MUST BE MANUFACTURED IN ACCORDANCE WITH UL STANDARD 1598.

PARTS SPECIFICATIONS
ITEM QTY DESCRIPTION

- A (1) SOCKET- UL LISTED/CSA CERTIFIED
BASE= MEDIUM
SOCKET= PORCELIN
SEE LEAD WIRE FOR SOCKET WIRE SPEC.
- B (1) LEAD WIRE- 120"[300] FROM FRAME TOP
UL LISTED/CSA CERTIFIED, AWG #18
105°C BLACK AND WHITE WIRE.
STRIP 1/2 [12.7], SPLIT 3 [76.2].
FROM TOP OF SCROLL.
(SEE CHART FOR COLOR).
- C (1) GROUND WIRE- 120"[300] FROM FRAME TOP
1/4 LAY COPPER GROUND WIRE.
FROM TOP OF SCROLL.
(SEE CHART FOR TINT).



R&D

2020.07.31

Mark

INNOVATIONS LIGHTING
DESIGN COPYRIGHT - 11/12/2019
 ALL RIGHTS RESERVED AND MAY
 NOT BE DUPLICATED WITHOUT OUR
 WRITTEN PERMISSION

NO.	PART NO.	DESCRIPTION	REQ.

NOTICE: ANY DESIGN OR OTHER INFORMATION HEREON DEVELOPED BY THIS COMPANY IS CONFIDENTIAL MATERIAL AND EXCLUSIVE PROPERTY OF THE L.D. ALIYA CO. DISCLOSURE OR REPRODUCTION REQUIRES THE WRITTEN CONSENT OF THE L.D. ALIYA CO.

INNOVATIONS

CREATIVITY MEET. EVOLUTIONARY DESIGN

TITLE
4LT WALL MOUNT

PART NO. WALL	REV. A
ITEM NO. DL190307-4WL(BK)	REV. A

DRAWN IN THIRD ANGLE PROJECTION	"mm" DIMENSION INDICATED IN [] DIMENSION IN [] IS FOR REF. ONLY			
	TOLERANCES (EXCEPT AS NOTED)			
	DECIMAL NONE ±.031 .X ±.015 .XX ±.010 .XXX ±.005	ANGULAR ± 1/2°	FRACTIONAL ± 1/32	SCALE 1:5
	DATE 7/31/2020	DRAWN BY SSL	CHECKED BY X	APPROVED BY X