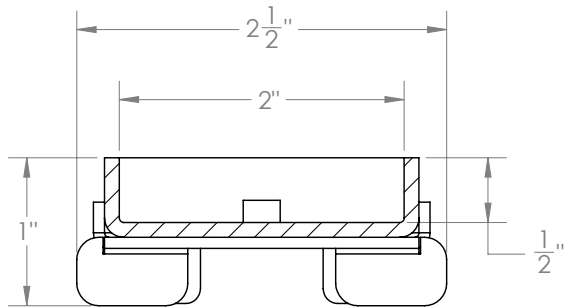


RA 65 Specifications

ID Infinity Drain



RA 65:

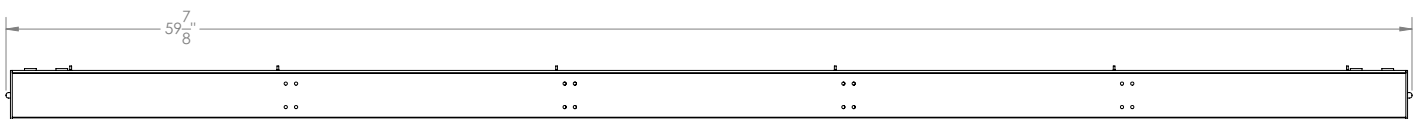
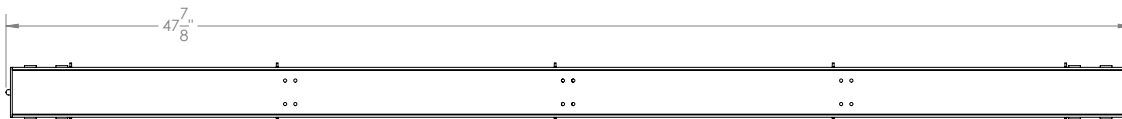
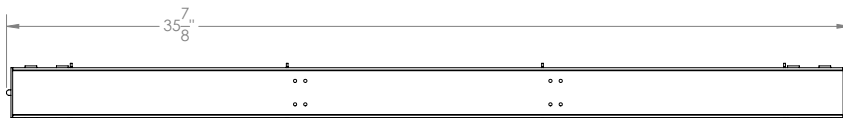
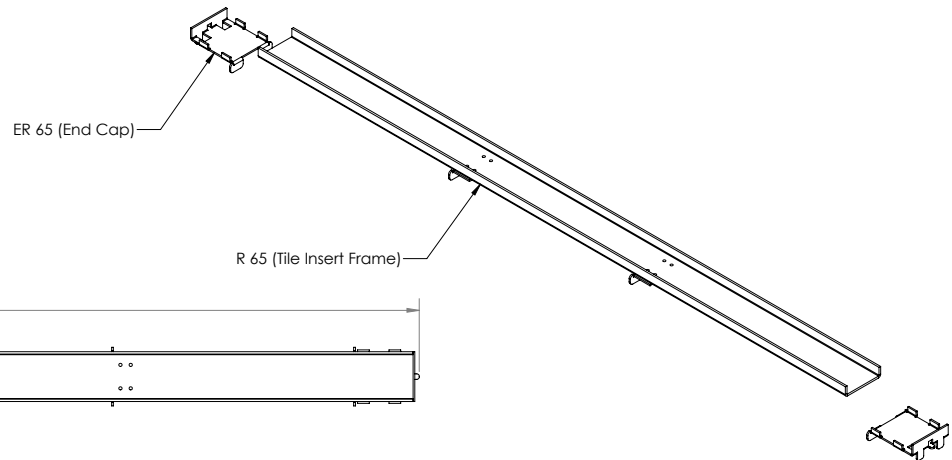
- Tile Insert Frame Assembly for S-LTIF 65, S-LTIFAS 65, S-LTIF 65, S-LTIFAS 99
- 12 gauge, 304L stainless steel
- Accepts flooring material up to 3/8" in thickness
- Includes:
 - 1 - **R 65** Open Ended Frame
 - 2 - **ER 65** Frame End Caps with screws

Models (overall dimensions):

- RA 6536: 35 7/8" L x 2 1/2" W x 1" H
- RA 6548: 47 7/8" L x 2 1/2" W x 1" H
- RA 6560: 59 7/8" L x 2 1/2" W x 1" H

Finishes:

- Satin Stainless - SS
- Polished Stainless - PS
- Satin Bronze - SB
- Oil Rubbed Bronze - ORB
- Matte Black - BK



Infinity Drain
145 Dixon Avenue
Amityville, NY 11701
Phone: 516.767.6786
Fax: 516.740.3066
www.infinitydrain.com



NOTE: Installer must verify all rough-in dimensions prior to installation and consult local and national codes. Conformity and compliance to local and national codes are the responsibility of the installer.