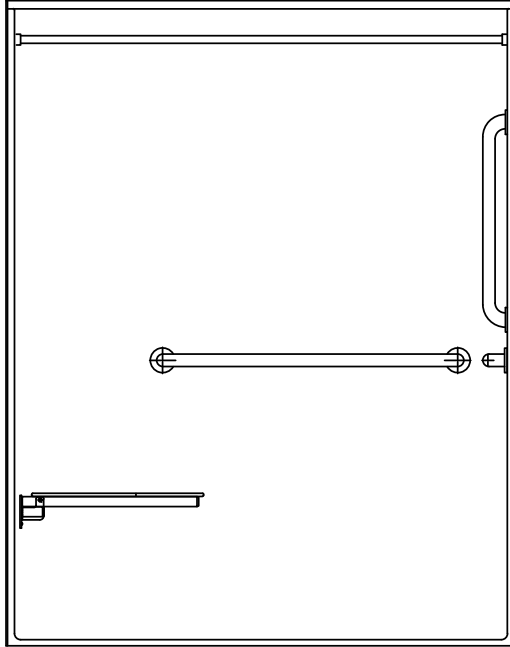


G 6233 IBS-F – CODE COMPLIANT ROLL-IN SHOWER

inches

Interior: 60 x 31 x 77 ¾

Exterior: 62 x 32 ¾ x 78 ½



FEATURES

- Pre-leveled EasyBase™
- AcrylX™ applied acrylic surface
- ¾ change of level threshold
- Barrier free when properly installed
- Smooth wall
- Center drain
- Handed by seat
- Lifetime limited warranty (30 year commercial)

OPTIONS

- Grab bars
- Fold-up seat
- Hand-held shower assembly with slide bar
- Pressure balancing mixing valve
- Curtain rod and/or shower curtain

CODE COMPLIANCE

- ADA
- ICC/ANSI A117.1
- IAPMO Z124-2017
- HUD UM73a
- CAN/CSA-B651-04
- CSA-B45-11

**Code compliant when fully equipped and installed according to guidelines.

COLOR & TRIM OPTIONS

Century Stone Solid	Century Stone Natural
White	Almond
Bone	Ashley
Biscuit	Beach
	Coco
	Cotton Seed
	Dune
	Mink
	Quail
	Rabbit
	Starlight
	Violet

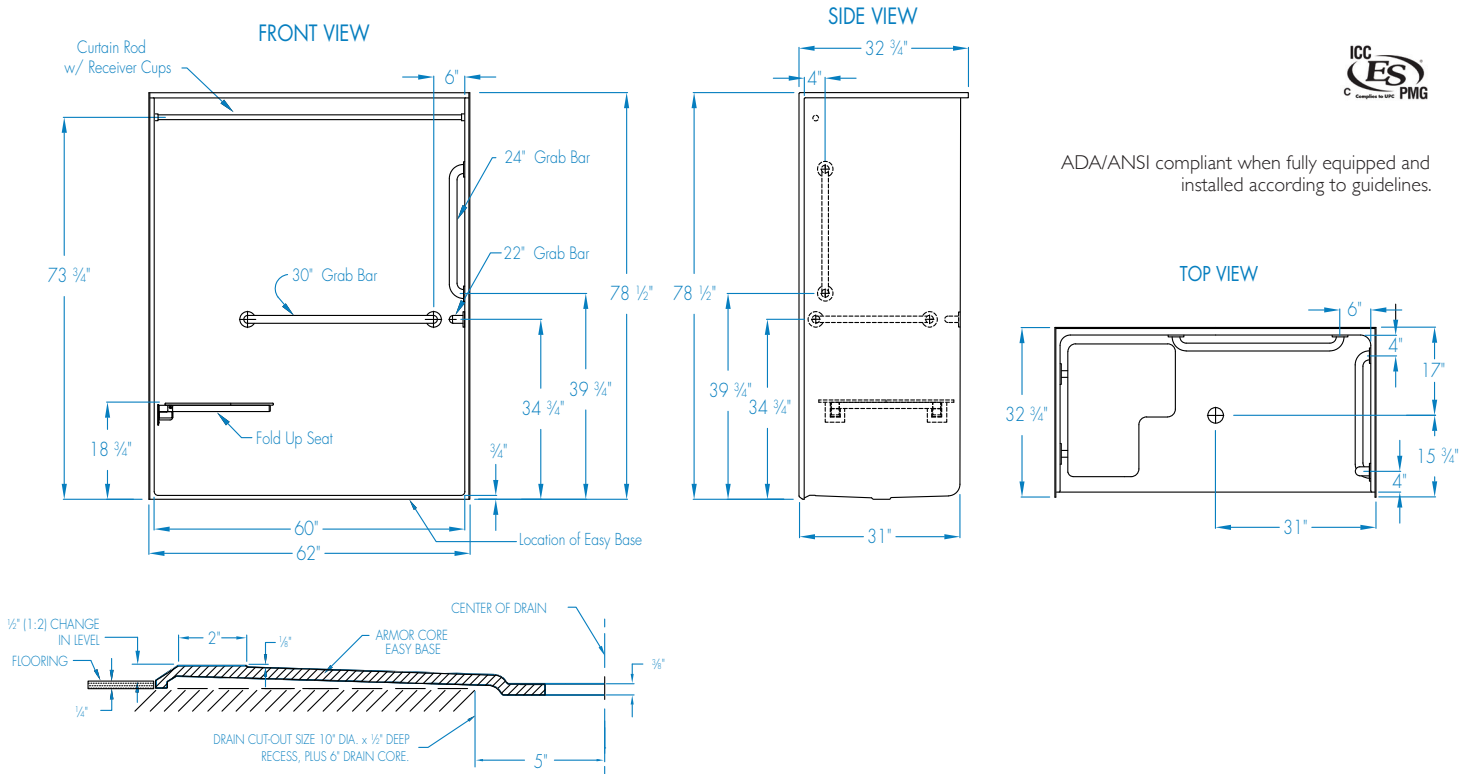


G 6233 IBS-F

Interior: 60 x 31 x 77 ¾
Exterior: 62 x 32 ¾ x 78 ½



ADA/ANSI compliant when fully equipped and installed according to guidelines.



FEATURES

Dimensional Tolerance $\pm 3/8"$. Dimensions needed for site preparation should be measured from the unit. Manufacturer assumes no responsibility for preparatory work.

Type and Model #	Material	Wall Finish	Pieces	Drain	Dam/Skirt Height	Net Wt. lbs	Pkg. Wt. lbs
Shower #G 6233 IBS-F	AcrylX™	Smooth wall	1	Center	¾" COL threshold	225	N/A

DIMENSIONS

Specifications	inches
Width: Overall / Net	62 / 60
Depth: Overall / Net	32 ¾ / 31
Height: Overall / Net	78 ½ / 77 ¾
Enclosure Opening:	60
Skirt Height:	¾ COL
Drain Rough-In (from Back Wall)	17 ½
Drain Rough-In (from Side Wall)	31 ¼

FRAMING DIMENSIONS inches

Type	D Depth	W Width	H Height	A	B	C
Alcove	33	62 ½	-	Box Out	31 ¼	17 ½

