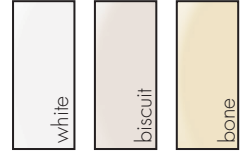


AcrylX™ APPLIED ACRYLIC shower bases



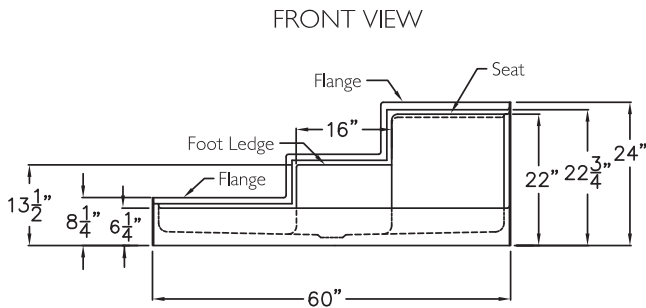
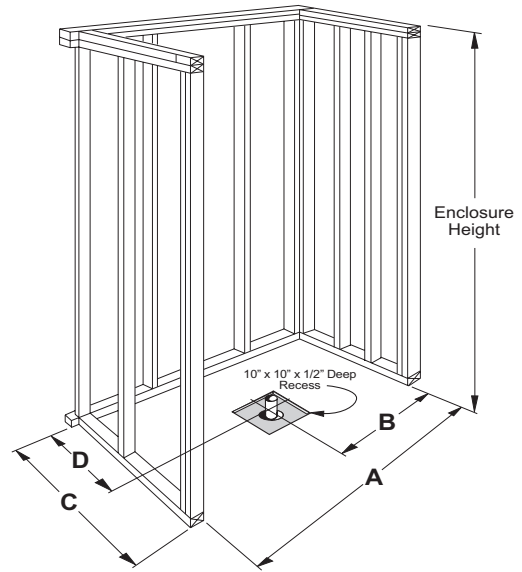
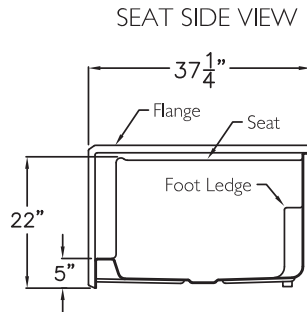
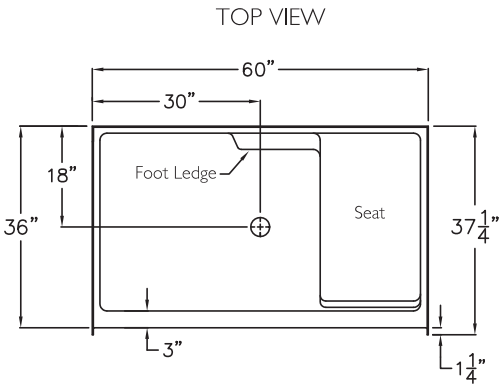
G 6036 SH IS PAN 60" x 36" x 24"

AcrylX™ shower base with one seat, foot ledge and 5" EasyStep™ threshold.

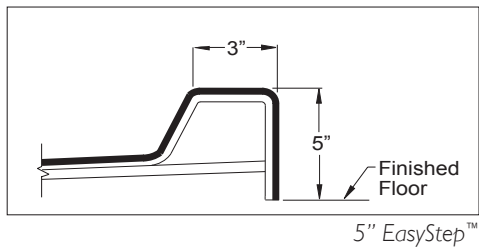
HANDED left or right seat

WEIGHT 97

CODES IPC, UPC, ANSI Z 124.2



| CENTER DRAIN | A | B | C | D |
|------------------|---------|---------|---------|-----|
| G 6036 SH IS PAN | 60 1/4" | 30 1/8" | 37 1/4" | 18" |



upgrade to SOLID SURFACE

Solid Surface is available as an upgrade to standard AcrylX™ and has a 10 year warranty.

