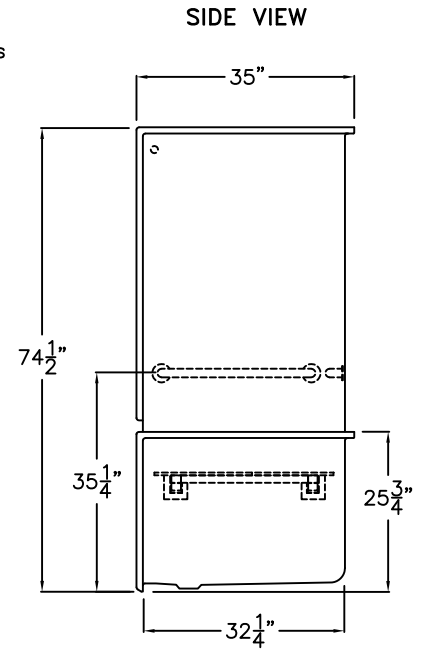
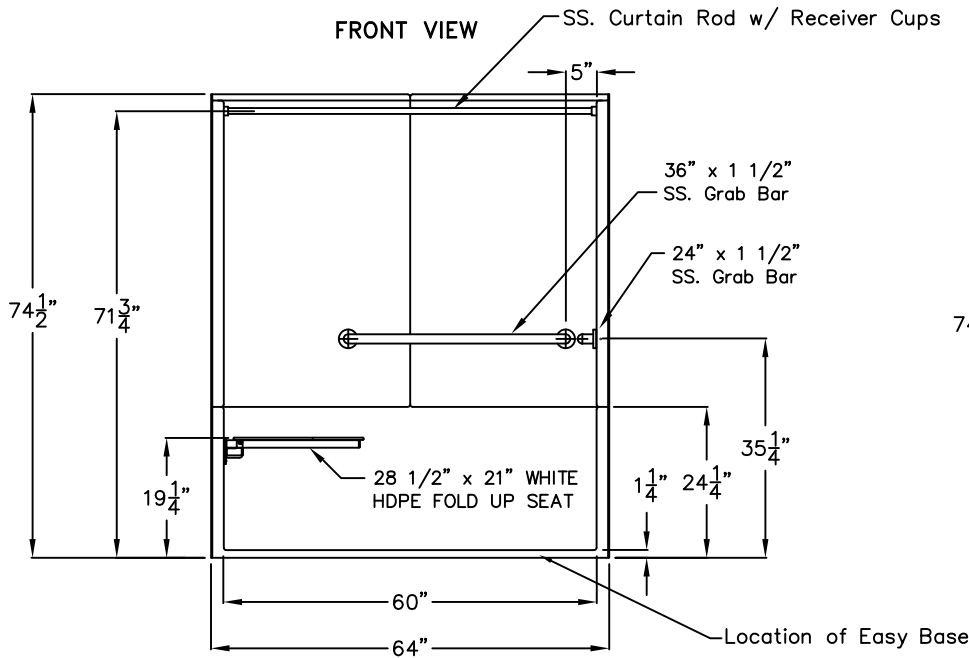


Special Needs Series

SUBMITTAL DATA



Roll-In Shower Stall

The shower enclosure shall be Aquarius model G 6037 BF 3P center, right or left. Finished surface shall be of an applied acrylic. The base shall be attached to the sump of the unit in such a manner to form an integral part with an inner and outer coating of polyester resin. The unit shall have outside dimensions of 64" x 35" x 74 1/2". The unit meets ADA, ANSI A117.1, ANSI Z124.1.2, UPC, CSA B45.5, HUD-UM73, and Home Innovation Research Lab.

This enclosure shall be equipped with the following installed accessories:

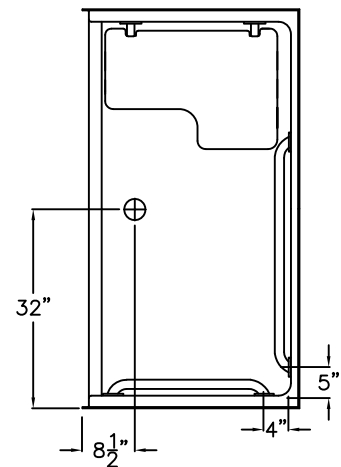
- 1) One 36" x 1 1/2" diameter stainless steel horizontal grab bar on the back wall,
- 2) One 24" x 1 1/2" diameter stainless steel horizontal grab bar on the side wall, both with 1 1/2" statute clearance, mounted with stainless steel bolts, and secured from the rear with 3" x 3" x 11 gauge metal mounting plates,
- 3) 28 1/2" x 21" frameless white HDPE fold up seat,
- 4) One inch diameter, 18 gauge stainless steel curtain rod with receiver cups,
- 5) Three piece sectional design,
- 6) Factory installed Armor Core Easy Base,
- 7) 1 1/4" threshold.

Available Options: 8) Valve package includes: Hand held shower set, swivel connector, 60" flex hose, vacuum breaker, 30" slide bar, wall water outlet fitting, 9) Green anti-bacterial shower curtain and hooks, 10) White shower curtain and hooks. 11) Nurses call box drilling.

This unit features the outside dimensions of 64" of overall width. This does not allow for full enclosure of the bolts that are used to secure the bars and seat in place. This may require the need to notch studs to allow for bolt clearance for installation. For a dry wall enclosed fire wall installation, adjustment of the wallboard may be necessary to provide clearance of the bolts while maintaining the integrity of the drywall fire wall enclosure.

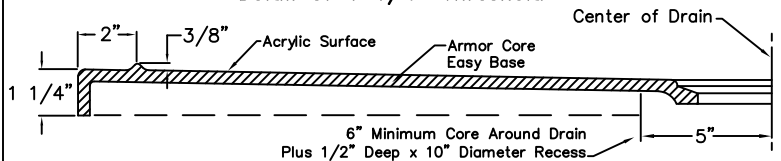
NOTE: THIS UNIT WILL NOT ACCEPT A DOOR.

TOP VIEW



DUE TO THE NATURE OF THE MATERIALS DIMENSIONS MAY VARY ± 1/2"

Detail of 1 1/4" Threshold



HAMILTON

Approved By Print Name:

Approved By Signature:

Rep.:

Date:

Wholesaler:

Drawing#: G 6037 IBS 3P 1.25 Package One ADA

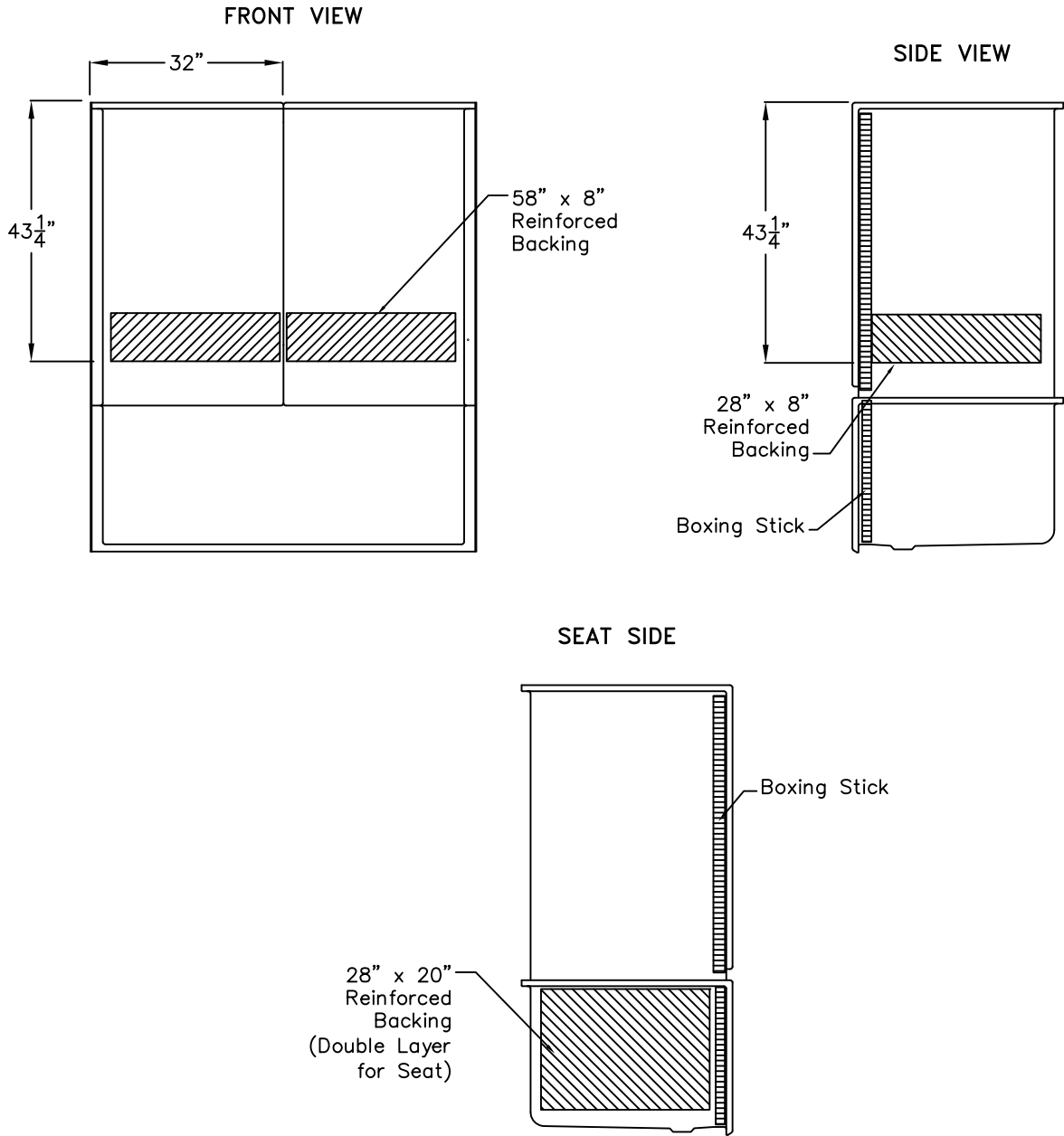
Date: 6-21-07

Revised: 7-3-17

Quote No.:

PRAXIS INDUSTRIES, INC.
 435 INDUSTRIAL ROAD - SAVANNAH, TN 38372
 1 (800) 443-7269 - FAX (901) 925-4290

Backing Placement SUBMITTAL DATA



DUE TO THE NATURE OF THE MATERIALS
DIMENSIONS MAY VARY ± 1/2"

Job Name:	HAMILTON		
Approved by Print Name:	Drawing#: G 6037 IBS 3P 1.25 Package One ADA-BP		
Approved by Signature:	Date:	Date: 8-13-96	Revised: 7-3-17
Rep.:	Wholesaler:	Quote No.:	

PRAXIS INDUSTRIES, LLC.
435 INDUSTRIAL RD - SAVANNAH, TN 38372
1 (800) 443-7269 - FAX (731) 925-4290