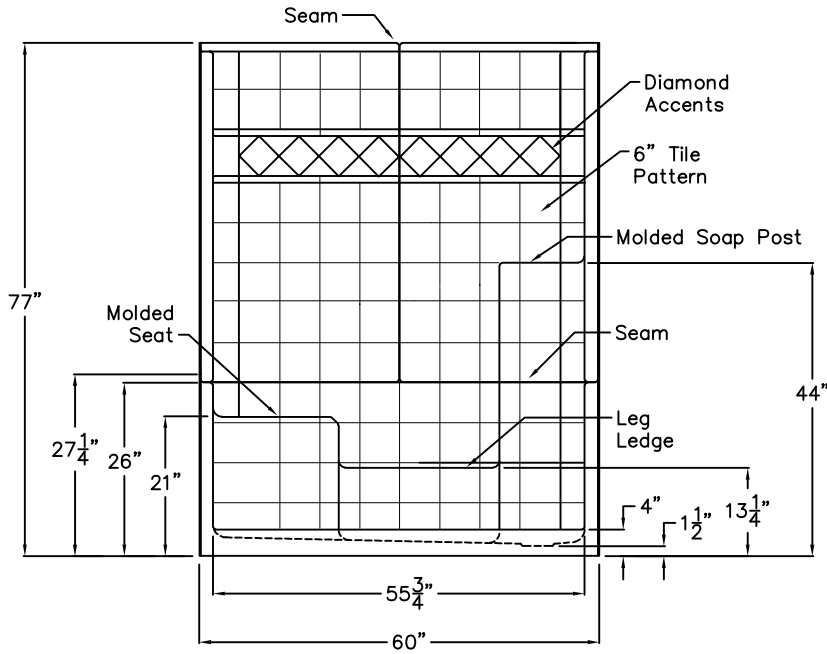


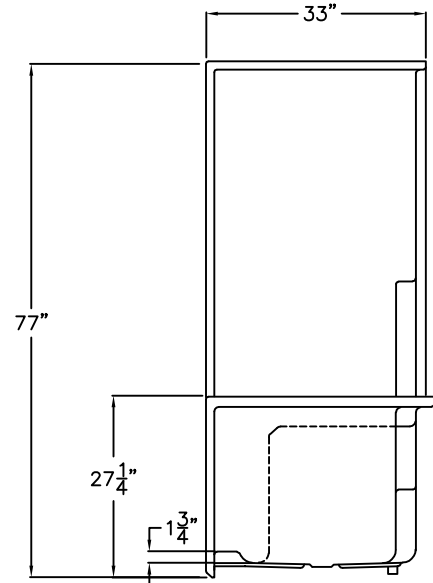
Comfort Series

SUBMITTAL DATA

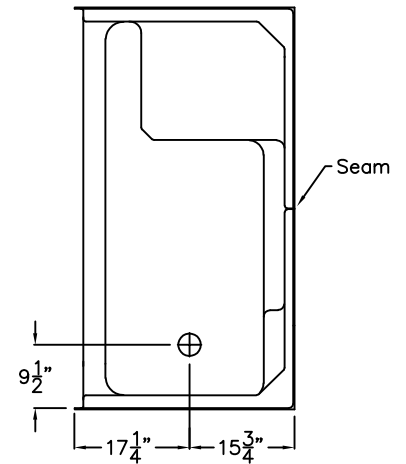
FRONT VIEW



SIDE VIEW



TOP VIEW



Sectional Simulated Tile Shower

This shower enclosure shall be Model M 6032 SH 1S 3P TILE right or left. Finished surface shall be of sanitary-grade applied acrylic. The unit shall have outside dimensions of 60" x 33" x 77". The unit shall meet IAPMO Z124-2011, and CSA B45.5-11.

The enclosure shall be equipped with the following factory installed accessories:

- 1) Molded soap ledge,
- 2) Molded seat right or left,
- 3) Molded leg ledge,
- 4) Tile finish,
- 5) Diamond accents,
- 6) Three piece sectional design,
- 7) 4.0" threshold.

DUE TO THE NATURE OF THE MATERIALS
 DIMENSIONS MAY VARY ± 1/2"

Job Name:	PRAXIS		
Approved by Print Name:	Drawing#: M 6032 SH 1S 3P Tile		
Approved by Signature:	Date:	Date: 8-22-08	Revised: 4-4-17
Rep.:	Wholesaler:	Quote No.:	

PRAXIS INDUSTRIES, LLC.
 435 INDUSTRIAL RD - SAVANNAH, TN 38372
 1 (800) 443-7269 - FAX (731) 925-4290