

Assembly Instructions: 6070-LP (Tribeca)

IMPORTANT:

- ALL INSTALLATION WORK SHOULD BE DONE BY ACCREDITED PROFESSIONAL.
- SHUT OFF POWER SUPPLY AT FUSE OR CIRCUIT BREAKER!
- USE ONLY THE SPECIFIED BULBS. DO NOT EXCEED THE MAXIMUM WATTAGE!

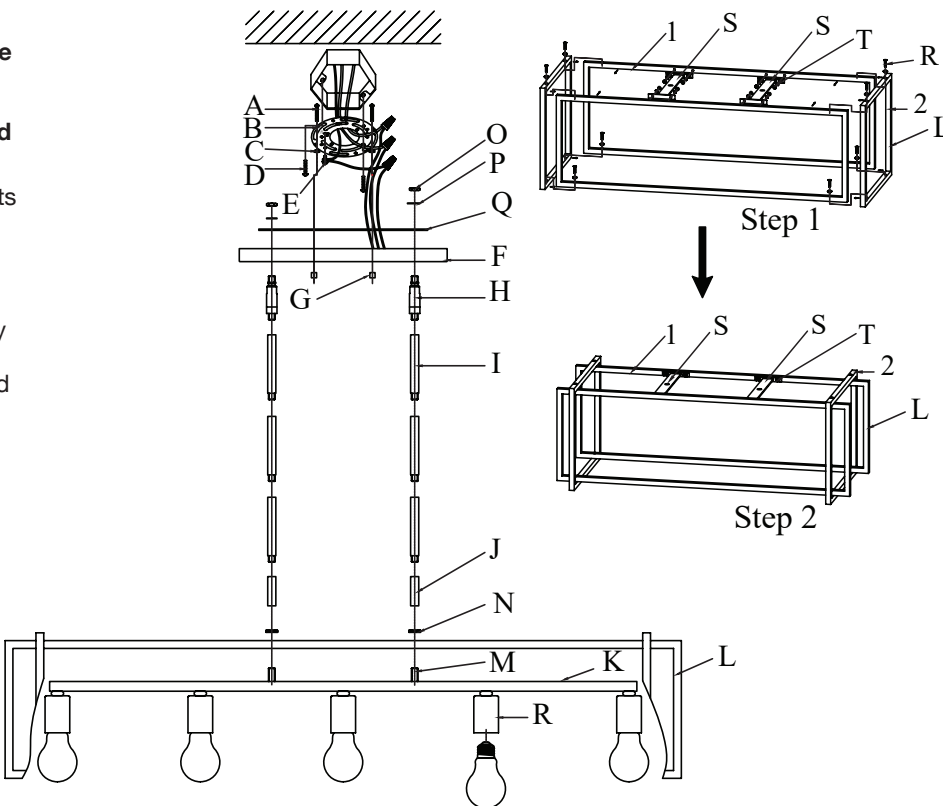
For Customer Service, please contact the place of purchase.

PREPARING FOR INSTALLATION

Remove all of the contents from the carton. See the important notes above. Shut off the power at the circuit breaker and completely remove the old fixture from the ceiling, including the old mounting strap.

1. Take the mounting strap assembly from the parts bag. Mounting strap (B) contains several threaded holes. Two of mounting screws (A) should be attached to mounting strap (B). You may need to tighten nuts (C) which hold these screws in place. If the screws are not attached, please hold canopy (F) up to mounting strap (B). Line up the holes in canopy (F) with the holes in mounting strap (B) and insert mounting screws (A) into mounting strap (B) so that mounting screws (A) protrude through the holes in canopy (F). Mounting screws (A) are long, please test the canopy against the mounting strap to see how far you should insert the screws. Tighten nuts (C) onto mounting screws (A) to hold the screws in place.

2. Pull the house wires through the center of mounting strap (B). Place mounting strap (B) over the junction box so that mounting screws (A) are in alignment with the hole locations on the fixture's canopy (F). Secure mounting strap (B) to the junction box with mounting screws (D) and a screwdriver. Tighten the screws securely.



ASSEMBLE THE FIXTURE

3. Refer to the "Step 1" diagram. Frame (L) is composed of four panels (1 and 2). The panels are two different sizes. Use small screws (T) to attach brackets (S) to both of panels (1). Slide panels (2) over the ends of the now connected panels (1) so that the holes in panels (2) line up with the holes in panels (1). Use screws (R) to secure the panels together. Frame (L) should look like the "Step 2" diagram when completed.

4. Place frame (L) on its side on a flat surface. Carefully place the lamp body (K) into the center of frame (L). Push posts (M) through the holes in brackets (S). There are 3 optional 12 inch rods (I) and 1 optional 6 inch rod (J) included for each side of the fixture. Decide how long you would like the fixture to hang. By measuring, determine the correct number of rods needed. To lengthen the fixture, you can contact the place of purchase to order additional rods. The fixture's wires will run through one set of rods. Slide rods (I and/or J) onto the wires.

5. Pull the wires taut before threading rods (I and J) together. Thread bottom rod (J or I) onto posts (M) of the assembled frame (L). Twist the top rod (I or J) into the threads of swivel post (H). Pull the fixture's wires through swivel (H) and canopy (F). Trim the wires to the desired length adding at least 8 to 10 inches of wire.

6. Place plate (Q) inside canopy (F) and the canopy over the tops of swivels (H). Twist on washers (P) and hex nuts (O) to secure the plate and canopy to the top threads of swivels (H).

CONNECTING THE WIRES

7. Have an assistant support the fixture's weight while completing the wiring. Refer to the wiring diagram and attach the fixture's wires to the power supply wires from the junction box. Connect Hot to Hot, Neutral to Neutral, and Ground to Ground. Twist the ends of the wire pairs together, and then twist on a wire connector. Make sure all twists are in the same direction. If there is no house ground wire coming from the junction box, locate ground screw (E) on the mounting bracket/mounting strap and wrap the fixture's ground wire around the ground screw. Use a screwdriver to tighten the top of ground screw (E) onto the wires and into the mounting bracket/mounting strap. Tuck the wires into the junction box.

FINISHING THE INSTALLATION

8. Place the fixture's canopy (F) over mounting screws (A) so that they protrude through the holes in canopy (F). Thread deco nuts (G) onto mounting screws (A).

9. Install light bulbs (not provided) in accordance with the fixture's specifications. Do not exceed the maximum recommended wattage.

Your installation is now complete. Turn on the power and test the fixture.

How to Identify the Fixture's Wires

Hot	Neutral	Ground
Smooth	Ribbed	Bare Metal, Green, or Green Inner Thread
Black	White	Black Inner Thread
Black Inner Thread	White Inner Thread	White Inner Thread

Fixture Wires	House Wires
Hot	Hot
Neutral	Neutral
Ground	Ground

CLEANING TIPS

Treat the fixture gently! Regular cleaning will reduce the need for deep cleaning. For regular cleaning, turn off the light and wipe down the fixture with a clean lint-free cotton or microfiber cloth. Never spray cleaner directly onto the fixture.