

GE40T10BAM

GE® 40 Gallon Electric Water Heater

DIMENSIONS AND INSTALLATION INFORMATION (IN INCHES)

LOCAL INSTALLATION REGULATIONS:

This water heater must be installed in accordance with these instructions, local codes, utility codes, utility company requirements or, in the absence of local codes, the latest edition of the National Electrical Code. It is available from some local libraries or can be purchased from the National Fire Preventions Association, Batterymarch park, Quincy, MA 02169 as booklet ANSI/NFPA 70.

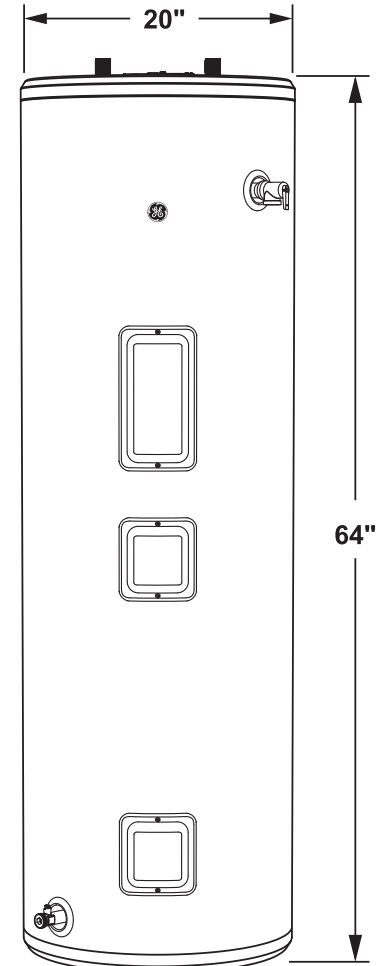
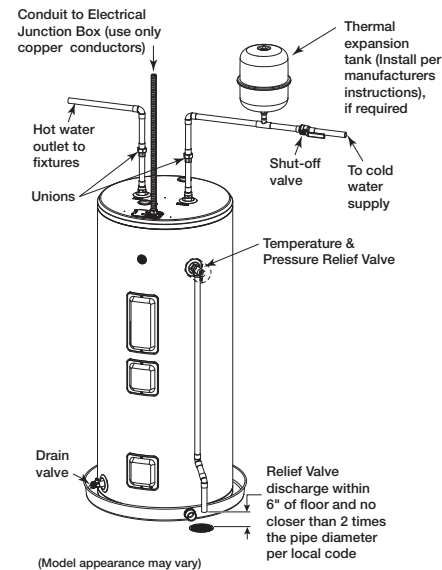
INSTALLATION INFORMATION: For complete information, see installation instruction packed with your water heater.

POWER REQUIREMENTS: Check the markings on the rating plate of the water heater to be certain the power supply corresponds to the water heater requirements.

LOCATION: Locate the water heater in a clean dry area as near as practical to the area of the greatest heated water demand. Long uninsulated hot water lines can waste energy and water.

REQUIRED CLEARANCES: There must be sufficient clearance between any object and the top, rear and sides of the water heater in the event service is needed. The controls and drain at front of unit must have clear access for operation and service. Installations that require minimal clearance on the sides or rear of the water heater for earthquake straps are also acceptable. In these cases, additional clearance should be provided on the opposite side of the unit to allow for service access

TYPICAL TOP CONNECT INSTALLATION



Above illustration intended for dimensional reference only. Refer to photograph for actual product appearance



For answers to your GE Profile™ Series or GE Appliances product questions, visit our website at geappliances.com or call GE Answer Center® Service, 800.626.2000.



Certified to
NSF/ANSI 372

See http://info.nsf.org/Certified/Lead_Content/
for specific model listing



Listed by
Underwriters
Laboratories

Specification Created 9/19

GE40T10BAM

GE® 40 Gallon Electric Water Heater

FEATURES AND BENEFITS

Hot Water Holding Power – Live comfortably with plenty of hot water. This quality unit delivers a high volume of fully heated water.

Real Capacity – Satisfy any hot water need with a real capacity 50-, 40 - or 30-gallon tank, available in tall, short and lowboy configurations.

Quick water recovery benefits – Quicker recovery and higher water delivery with 2x 5500W heating elements.

Anode Rod – It's durable design protects the tank from corrosion.

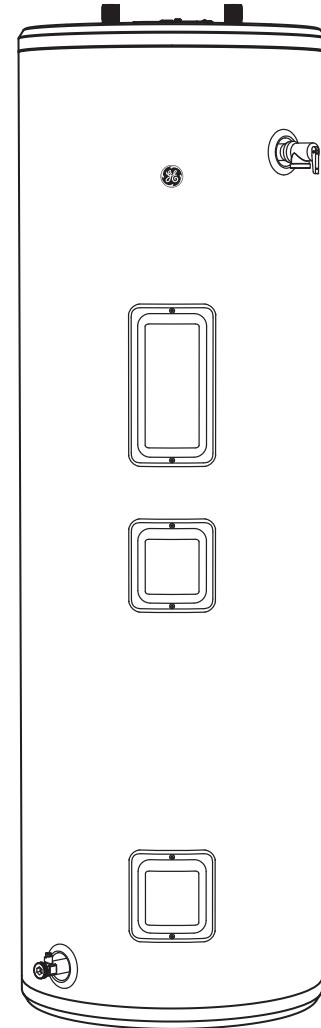
Heating Elements – Expect a longer-lasting unit with heating elements made from stainless steel.

Brass drain valve – With a drain valve made from brass that won't rust, your unit can be counted on to provide long-lasting service.

Easy set up – Replace your old water heater quickly and easily using standard water and electrical connection.

Flexible Installation – Install a unit anywhere in your home, whether it's the garage, the basement or a utility room.

Model GE40T10BAM – Diamond Gray



GE40T10BAM

GE® 40 Gallon Electric Water Heater

FEATURES AND BENEFITS

Thermostat controlled

Real Capacity – Tank capacity holds a true 40 gallons of water

First Hour Rating Performance – Provides 65 gallons of heated water in the first-hour delivery

Quick Water Recovery – Quicker recovery with two stainless steel 5500-watt heating elements

Anode Rod – Durable design protects the water heater from corrosion

Brass Drain Valve – Allows for easy draining of the tank

3/4" MNPT Hot and Cold ports

Warranty – 1-year limited labor* / 8-year limited parts*

Model GE40T10BAM - Diamond Grey

*See written warranty for full details

