



# Electric Residential WATER HEATERS

**SAFETY INFORMATION** .....3

**OPERATING INSTRUCTIONS**....6

**CARE AND CLEANING**.....9

**INSTALLATION INSTRUCTIONS**.....13

**TROUBLESHOOTING TIPS**.....14

**REPLACEMENT PARTS** .....15

**WIRING DIAGRAM**.....16

**LIMITED WARRANTY** .....17

**CONSUMER SUPPORT** .....18

## OWNER'S MANUAL

GE Branded Thermostat Control Models with Top or Side Water Connections

### FRANÇAIS

Pour une version française de ce manuel d'utilisation, veuillez visiter notre site web à l'adresse [GEAppliances.com](http://GEAppliances.com).

### ESPAÑOL

Para consultar una versión en español de este manual de instrucciones, visite nuestro sitio de internet [GEAppliances.com](http://GEAppliances.com).

Write the model and serial numbers here:

Model # \_\_\_\_\_

Serial # \_\_\_\_\_

You can find them on the rating label on the front side of your water heater.



Certified to NSF/ANSI 372

See [http://info.nsf.org/Certified/Lead\\_Content/](http://info.nsf.org/Certified/Lead_Content/) for specific model listing

## **THANK YOU FOR MAKING GE APPLIANCES A PART OF YOUR HOME.**

---

Whether you grew up with GE Appliances, or this is your first, we're happy to have you in the family.

We take pride in the craftsmanship, innovation and design that goes into every GE Appliances product, and we think you will too. Among other things, registration of your appliance ensures that we can deliver important product information and warranty details when you need them.

Register your GE appliance now online. Helpful websites and phone numbers are available in the Consumer Support section of this Owner's Manual. You may also mail in the pre-printed registration card included in the packing material.



**GE APPLIANCES**

# IMPORTANT SAFETY INFORMATION

## READ ALL INSTRUCTIONS BEFORE USING THE APPLIANCE

### ⚠ WARNING

For your safety, the information in this manual must be followed to minimize the risk of fire or explosion, electric shock, or to prevent property damage, personal injury, or loss of life.

Be sure to read and understand the entire Owner's Manual before attempting to install or operate this water heater. It may save you time and cost. Pay particular attention to the Safety Instructions. Failure to follow these warnings could result in serious bodily injury or death. Should you have problems understanding the instructions in this manual, or have any questions, STOP and get help from a qualified service technician or the local electric utility.

### ⚠ WARNING

**Risk of Fire - DO NOT store or use gasoline or other flammable vapors and liquids in the vicinity of this or any other appliance. Keep rags and other combustibles away.**

### ⚠ WARNING

**If the water heater has been subjected to flood, fire, or physical damage, turn off power and water to the water heater.**

Do not operate the water heater again until it has been thoroughly checked by qualified service personnel.

### Safety Precautions

- A. Do turn off power to water heater if it has been subjected to overheating, fire, flood or physical damage.
- B. Do Not turn on water heater unless it is filled with water.
- C. Do Not turn on water heater if cold water supply shut-off valve is closed.

**NOTE: Flammable vapors may be drawn by air currents from surrounding areas to the water heater.**

- D. If there is any difficulty in understanding or following the Operating Instructions or the Care and Cleaning section, it is recommended that a qualified person or serviceman perform the work.

### ⚠ CAUTION

**Risk of Fire - Hydrogen gas** can be produced in a hot water system served by this water heater that has not been used for a long period of time (generally two weeks or more). HYDROGEN GAS IS EXTREMELY FLAMMABLE!! To dissipate such gas and to reduce risk of injury, it is recommended that the hot water faucet be opened for several minutes at the kitchen sink before using any electrical appliance connected to the hot water system. If hydrogen is present, there will be an unusual sound such as air escaping through the pipe as the water begins to flow. Do not smoke or use an open flame near the faucet at the time it is open.

### ⚠ FOR INSTALLATIONS IN THE STATE OF CALIFORNIA

California Law requires that residential water heaters must be braced, anchored or strapped to resist falling or horizontal displacement due to earthquake motions. For residential water heaters up to 52 gallon (236.4 L) capacity, a brochure with generic earthquake bracing instructions can be obtained from: Office of the State Architect, 400 P Street, Sacramento, CA 95814 or you may call 916.324.5315 or ask a water heater dealer.

Applicable local codes shall always govern installation. For residential water heaters of a capacity greater than 52 gallons (236.4 L) consult the local building jurisdiction for acceptable bracing procedures.

## READ AND SAVE THESE INSTRUCTIONS

# IMPORTANT SAFETY INFORMATION

## READ ALL INSTRUCTIONS BEFORE USING THE APPLIANCE



Water temperature over 125°F can cause severe burns instantly or death from scalds.

Temperature control settings usually approximate tap water temperature. However, factors could cause water temperature to reach 160°F regardless of the control settings.

Children, disabled and elderly are at highest risk of being scalded.

See instruction manual before setting temperature at water heater.

Feel water before bathing or showering.

Temperature limiting valves are available; see manual.

### WATER TEMPERATURE ADJUSTMENT

Safety, energy conservation, and hot water capacity are factors to be considered when selecting the water temperature setting of the water heater. Water temperatures above 125°F can cause severe burns or death from scalding. Be sure to read and follow the warnings outlined on the label pictured to the left. This label is also located on the water heater near the top of the tank.

#### Time/Temperature Relationship in Scalds

Temperature	Time to Produce a Serious Burn
120°F (49°C)	More than 5 minutes
125°F (52°C)	1-1/2 to 2 minutes
130°F (54°C)	About 30 seconds
135°F (57°C)	About 10 seconds
140°F (60°C)	Less than 5 seconds
145°F (63°C)	Less than 3 seconds
150°F (66°C)	About 1-1/2 seconds
155°F (68°C)	About 1 second

Table courtesy of Shriners Burn Institute

The chart shown above may be used as a guide in determining the proper water temperature for your home.

**⚠ DANGER** There is a Hot Water SCALD Potential if the water temperature thermostat is set too high. Households with small children, disabled or elderly persons may require a 120°F (49°C) or lower thermostat setting to prevent contact with "HOT" water.

Thermostat has been set at the factory to 120°F (49°C) to reduce the risk of scald injury. This is the recommended starting temperature setting, but it can be adjusted to any temperature between 90°F and 150°F (32°C and 66°C).

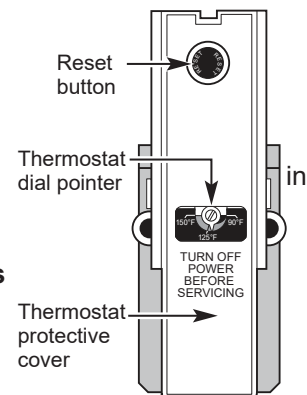
#### Water Temperature Setting

The temperature of the water in the water heater can be regulated by setting the temperature dial of the adjustable surface mounted thermostat(s) located behind the jacket access panel(s). Dual element heaters have 2 thermostats.

The illustration shows the temperature adjustment dial used for setting the water temperature.

Refer to the Operating Instructions in this manual for detailed instructions how to adjust the thermostat(s).

**⚠ DANGER** Hotter water increases the Potential for Hot Water SCALDS.



## READ AND SAVE THESE INSTRUCTIONS

# IMPORTANT SAFETY INFORMATION

## READ ALL INSTRUCTIONS BEFORE USING THE APPLIANCE

### SAFETY CONTROLS

The water heater is equipped with a combination thermostat and high limit Energy-Cut-Off control (ECO) that is located above the heating element in contact with the tank surface. If for any reason the water temperature becomes excessively high, the high limit control (ECO) breaks the power circuit to the heating element. Once the control opens, it must be reset manually. Resetting of the high limit control should be done by a qualified service technician.

**⚠ CAUTION** The cause of the high temperature condition must be investigated by a qualified service technician and corrective action must be taken before placing the water heater in service again.

### To reset the temperature-limiting control:

1. Turn off the power to the water heater.
2. Remove the jacket access panel(s) and insulation. The thermostat protective cover should not be removed.
3. Press the red RESET button.
4. Replace the insulation and jacket access panel(s) before turning on the power to the water heater.
5. Ensure water heater is operating properly after resetting the ECO.

**READ AND SAVE THESE INSTRUCTIONS**

# Operating Instructions

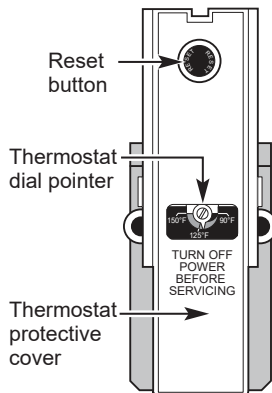
## Water Heater Capacity and Increasing Temperature Setpoint:

The water heater temperature setting strongly impacts the amount of usable hot water available for showers and baths.

- Safety regulations require a factory setting no greater than 125°F (52°C) for all new water heaters. Therefore, if your old water heater was set to a hotter temperature than your new water heater with a factory set setpoint of 120°F (49°C), the new water heater may seem to provide lower capacity than your old water heater. This can be corrected by increasing the temperature setpoint.
- If more hot water capacity is desired, increasing the temperature from 120°F to 135°F (49°C to 57°C) will enable the same tank of hot water to last about 25% longer because less hot water is mixed in at the shower or faucet.
- Increasing the water temperature setpoint may improve the cleaning performance of dishwashers and washing machines.
- The user can adjust the temperature setting to meet their needs. Always read and understand the safety instructions contained in the owner's manual before adjusting the temperature setpoint.

### If adjustment is necessary...

1. Turn off the power to the water heater.
2. Remove the jacket access panel(s) and insulation exposing the thermostat(s).  
The thermostat protective cover(s) should not be removed.
3. Using a small screwdriver, set the thermostat(s) dial pointer(s) to the desired temperature. Adjust the upper and lower thermostats to the same temperature to maximize hot water availability.
4. Replace the insulation and jacket access panel(s).  
Turn on the power to the water heater.



## Mixing Valves

- Mixing valves for reducing point-of-use water temperature by mixing hot and cold water in branch water lines are commercially available. Contact a licensed plumber or the local plumbing authority for further information.

## Extended Shutdown Periods

If the water heater is to remain idle for an extended period of time, the power and water to the appliance should be turned off and the water heater drained to conserve energy and prevent a buildup of dangerous hydrogen gas. This unit has no power button, power can only be shut off at the circuit breaker or disconnect switch.

The water heater and piping should be drained if they might be subjected to freezing temperatures.

After a long shutdown period, the water heater's operation and controls should be checked by qualified service personnel. Make certain the water heater is completely filled again before placing it in operation.

**NOTE: Refer to the Hydrogen Gas Caution in the Operating Instructions (see page 3).**

# Care and Cleaning

## Exterior Surfaces

Hand wash with damp cloth, using only warm water. Wipe dry using a dry, clean cloth.

## Routine Preventive Maintenance

**▲ DANGER** Risk of Scald - Before manually operating the relief valve, make certain no one will be exposed to the danger of coming in contact with the hot water released by the valve. The water may be hot enough to create a scald hazard. The water should be released into a suitable drain to prevent injury or property damage.

**NOTE:** If the temperature and pressure-relief valve on the hot water heater discharges periodically, this may be due to thermal expansion in a closed water system. Contact the water supplier or your plumbing contractor on how to correct this. Do not plug the relief valve outlet.

Properly maintained, your water heater will provide years of dependable trouble-free service. It is suggested that the following annual preventive maintenance program be established.

1. Inspect Temperature & Pressure Relief Valve.
2. Inspect heating elements, ECO, and wiring to each.
3. Drain and Flush the water heater tank.
4. Anode rod must be removed and inspected.

### Temperature and Pressure-Relief Valve:

Once a year, it is recommended to lift and release the lever handle on the temperature and pressure-relief valve, located on the front-right side of the water heater, to make certain the valve operates freely. Allow several gallons to flush through the discharge line to an open drain.

### Heating Elements and ECO:

Once a year, it is recommended to inspect the heating elements, ECO, and wiring to each. Inspection should be completed by service personnel qualified in electrical appliance repair.

Most electrical appliances, even when new, make some sound when in operation. If the hissing or singing sound level increases excessively, the electric heating element may require cleaning. Contact a qualified installer or plumber for inspection.

## Draining and Flushing the Water Heater

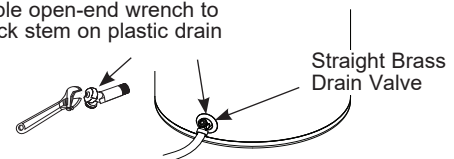
**▲ CAUTION** Risk of Shock - Shut off power to the water heater before draining water.

**▲ DANGER** Risk of Scald - Before manually operating the relief valve, make certain no one will be exposed to the hot water released by the valve. The water drained from the tank may be hot enough to present a scald hazard and should be directed to a suitable drain to prevent injury or damage.

A water heater's tank can act as a settling basin for solids suspended in the water. It is therefore not uncommon for hard water deposits to accumulate in the bottom of the tank. To clean the tank of these deposits, it is recommended to drain and flush the water heater tank once a year. To drain the water heater, follow these steps:

1. Turn off power to the unit. The electric heating elements will become damaged if operated without water.
2. Attach a garden hose to the drain valve located at the bottom of the unit and direct that hose to a drain.
3. Turn off the cold water supply.
4. Admit air to the tank by opening a hot water faucet or lifting the handle on the relief valve.
5. Open the drain valve.

Use a flat blade screwdriver to turn brass drain valve or an adjustable open-end wrench to turn black stem on plastic drain valve.



### Flushing the Tank:

1. Follow steps above to drain the water heater.
2. Once the water heater is empty, with the drain valve open and garden hose attached to the drain valve, turn on the cold water supply.
3. Allow several gallons to flush through the drain valve and hose to an open drain.
4. Turn off the water supply and allow any water remaining in the tank to drain.
5. Repeat steps 3 and 4 until water runs clear.
6. Close the drain valve and fill the tank before returning power to the unit. The tank is full when water runs out of a nearby open hot water faucet.

Flushing should be done with an empty tank to promote additional removal of sediment.

**NOTE:** See page 11 for product schematic.

# Care and Cleaning

---

## Routine Preventative Maintenance

### Anode Rod

Anode rods are designed and installed to protect and extend the life of residential water storage tanks.

The anode rod must be removed from the water heater's tank and inspected annually, and replaced when more than 6" (15.2 cm) of core wire is exposed at either end of the rod.\* **NOTE:** Artificially softened water will cause the anode rod to consume more rapidly.

Due to shock hazard and to prevent accidental water leaks, this inspection should be done by a qualified servicer or plumber, and requires that the electric power and cold water supply be turned off before servicing the anode rod.

**NOTICE:** Do not remove the anode rod from the water heater's tank except for inspection and/or replacement, as operation with the anode rod removed will shorten the life of the glass-lined tank and will void warranty coverage.

Some areas have water conditions that may cause an odor to develop in the water heater. Special alloy replacement rods are available to address the condition.

\***NOTE:** Failure to replace the anode rod when consumed voids the warranty for the tank. Warranty coverage for all other components remains intact, and is unaffected by this maintenance requirement. The replacement anode rod, and the inspection for consumption are not covered by warranty.



# Anode Rod Maintenance and Service

## ⚠ CAUTION - IMPORTANT SAFETY NOTICE

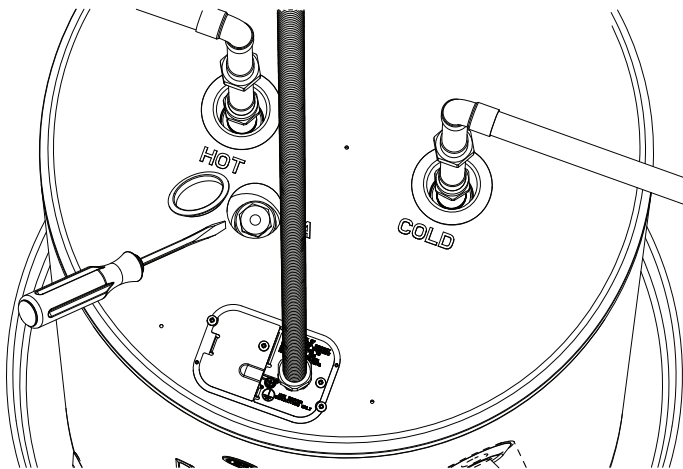
This information is intended for use by individuals possessing adequate background of electrical, electronic and mechanical experience. Any attempt to repair a major appliance may result in personal injury and property damage. The manufacturer or seller cannot be responsible for the interpretation of this information, nor can it assume any liability in connection with its use.

### Tools needed:

- Flat Head Screwdriver
- Socket/Torque Wrench
- 1 1/16" Socket
- Pipe Joint Compound or Pipe Thread Sealant Tape
- Anode Rod, if needed
- \* See page 18 for part ordering instructions

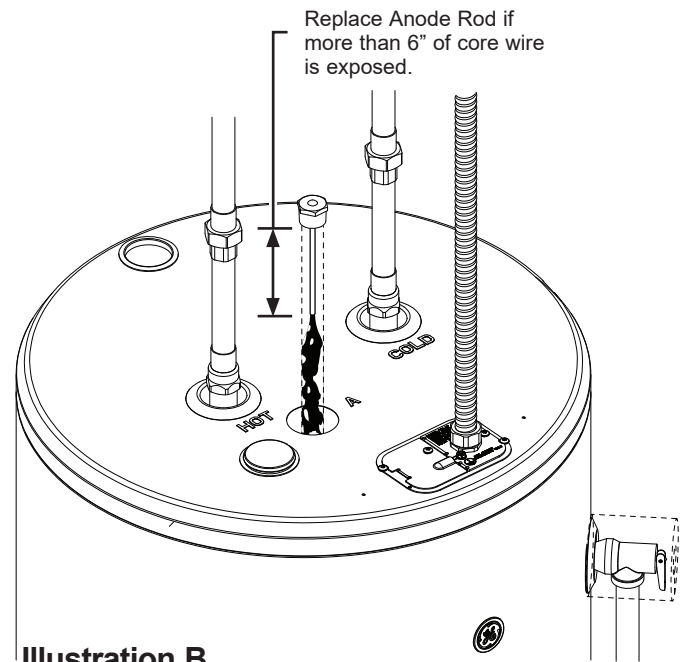
### To service the Anode Rod:

1. Disconnect power, shut off the water supply, drain the water lines of the home. Drain one or two gallons from the water heater through the lower drain valve.
2. Remove anode cap and foam insulation in hole with flat head screwdriver to expose anode fitting as shown in **Illustration A**.



**Illustration A**

3. Using a 1 1/16" socket, unscrew the anode rod, then lift out to inspect as shown in **Illustration B**.



**Illustration B**

4. Inspect and replace if necessary.
5. To install the anode rod, seal the threads with pipe joint compound or pipe thread sealant tape, thread into the port and using the torque wrench tighten to 50 ± 5 ft-lbs of torque.
6. Turn water supply on, open a tap to remove any air in plumbing system, inspect for leaks, then replace anode cap and turn the power on.

# Installation Instructions

The location chosen for the water heater must take into consideration the following:

## LOCAL INSTALLATION REGULATIONS

This water heater must be installed in accordance with these instructions, local codes, utility codes, utility company requirements or, in the absence of local codes, the latest edition of the National Electrical Code. It is available from some local libraries or can be purchased from the National Fire Prevention Association, Batterymarch park, Quincy, MA 02169 as booklet ANSI/NFPA 70.

## POWER REQUIREMENTS

Check the markings on the rating plate of the water heater to be certain the power supply corresponds to the water heater requirements. **NOTE:** 208V installations may experience lower performance.

## LOCATION

The water heater and water lines should be protected from freezing temperatures and *high-corrosive atmospheres*. Do not install the water heater in outdoor, unprotected areas.

Locate the water heater in a clean dry area as near as practical to the area of greatest heated water demand. Long uninsulated hot water lines can waste energy and water. Unit must be installed in a level location. If required, add shims under base of unit to level for proper operation.

**NOTE:** This unit is designed for any common indoor installation.

Servicing the water heater requires proper installation such that front panels can be removed to permit inspection and servicing. Reference installation instructions found in this manual.

Moving the water heater or other appliances to provide service to the water heater is not covered under warranty.

**⚠ CAUTION Risk of Property Damage -**  
**The water heater should not be located in an area where leakage of the tank or connections will result in damage to the area adjacent to it or to lower floors of the structure. Where such areas cannot be avoided, it is recommended that a suitable catch pan, adequately drained, be installed under the water heater.**

## LOCATION (Cont).

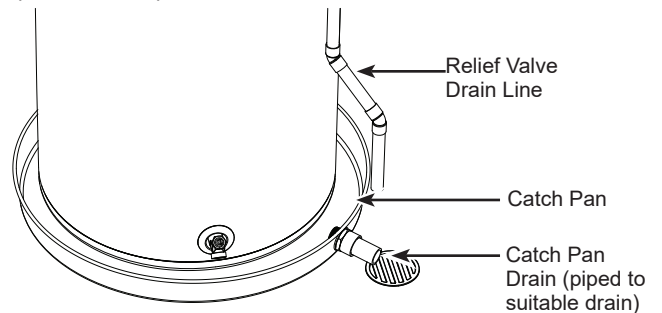
### Required clearances:

There must be sufficient clearance between any object and the top, rear and sides of the water heater in the event service is needed. The controls and drain at front of unit must have clear access for operation and service. Installations that require minimal clearance on the sides or rear of the water heater for earthquake straps are also acceptable.

**In these cases, additional clearance should be provided on the opposite side of the unit to allow for service access.**

## CATCH PAN INSTALLATION

(If required)



**NOTE:** Auxiliary catch pan **MUST** conform to local codes. Catch Pan Kits are available from the store where the water heater was purchased, a builder store or any water heater distributor. The catch pan should be 2" (5.1 cm) minimum larger than the Water Heater base diameter. To prevent corrosion and improve Drain Valve access it is recommended that the water heater be placed on spacers inside the catch pan.

## THERMAL EXPANSION

If a check valve is present on the inlet water line, it will create a "closed system." Heating water in a closed system creates an increase in pressure within the water system because the pressure is not able to dissipate in the main supply line. Referred to as "thermal expansion", the rapid pressure increase can cause the relief valve to operate (releasing water) during each heating cycle, potentially causing premature failure to the valve or even the water heater. The suggested method of controlling thermal expansion is to install an expansion tank in the cold water line between the water heater and the check valve as shown in the following illustrations. Contact your installing contractor, water supplier, or plumbing inspector for additional information.

# Installation Instructions

## WATER SUPPLY CONNECTIONS

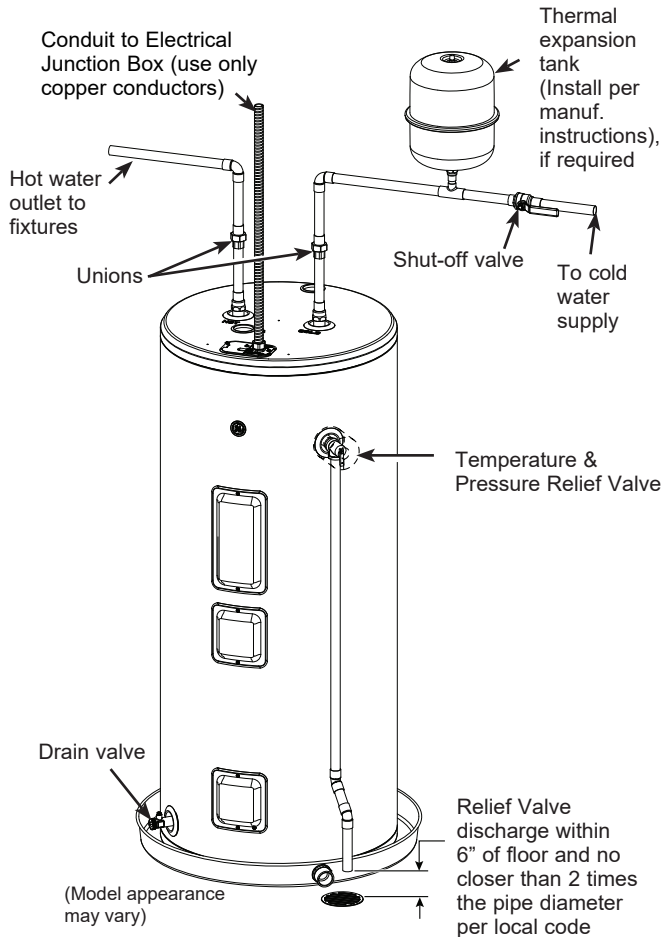
Refer to the illustration below for recommended installation. The HOT and COLD water connections are clearly marked and are 3/4" NPT on all models. When connecting to the inlet/outlet ports, the use of 3/4" female NPT tapered thread fittings with use of thread sealant is recommended. The installation of unions is recommended on the hot and cold water connections so that the water heater may be easily disconnected for servicing if necessary. Piping should be routed to allow anode rod removal.

**NOTE:** Install a shut-off valve in the cold water line near the water heater. This will enable easier service or maintenance of the unit later.

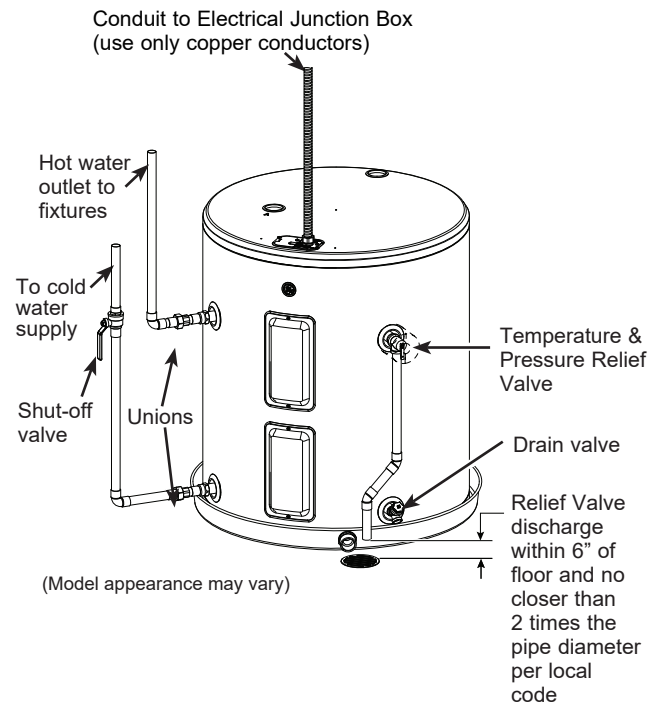
**IMPORTANT:** Do not apply heat to the HOT or COLD water connections. If sweat connections are used, sweat tubing to adapter before fitting the adapter to the cold water connections on heater. Any heat applied to the hot or cold water connection will permanently damage the internal plastic lining in these ports.

Install a vacuum relief valve and/or anti-siphon device when required by local jurisdictions.

## TYPICAL TOP CONNECT INSTALLATION



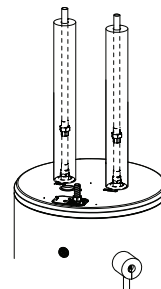
## TYPICAL SIDE CONNECT INSTALLATION (Otherwise same as Top Connect Installation)



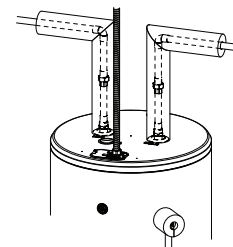
## HOT AND COLD PIPE INSULATION INSTALLATION (if supplied with product)

For increased energy efficiency, some water heaters have been supplied with two 24" sections of pipe insulation.

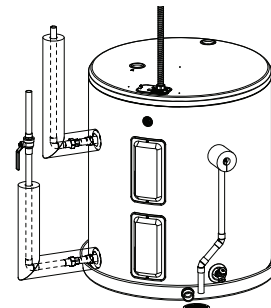
### Typical vertical piping arrangement



### Typical horizontal piping arrangement



### Typical side piping arrangement



Please install the insulation, according to the illustrations above, that best meets your requirements.

# Installation Instructions

## RELIEF VALVE

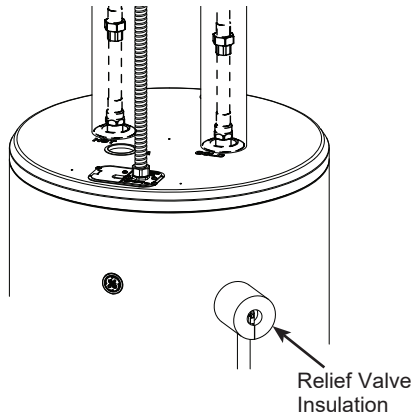
**⚠ WARNING** Risk of Unit Damage - The pressure rating of the relief valve must not exceed 150 PSI (1.03 MPa), the maximum working pressure of the water heater as marked on the rating plate.

A new combination temperature and pressure-relief valve, complying with the Standard for Relief Valves and Automatic Gas Shut-Off Devices for Hot Water Supply Systems, ANSI Z21.22, is supplied and must remain installed in the opening provided and marked for this purpose on the water heater. No valve of any type should be installed between the relief valve and the tank. Local codes shall govern the installation of relief valves.

The BTUH rating of the relief valve must not be less than the input rating of the water heater as indicated on the rating label located on the front of the heater (1 watt=3.412 BTUH).

Connect the outlet of the relief valve to a suitable open drain so that the discharge water cannot contact live electrical parts or persons and to eliminate potential water damage.

Piping used should be of a type approved for hot water distribution. The discharge line must be no smaller than the outlet of the valve and must pitch downward from the valve to allow complete drainage (by gravity) of the relief valve and discharge line. The end of the discharge line should not be threaded or concealed and should be protected from freezing. No valve of any type, restriction or reducer coupling should be installed in the discharge line.



## ⚠ CAUTION

To reduce the risk of excessive pressures and temperatures in this water heater, install temperature and pressure protective equipment required by local codes and no less than a combination temperature and pressure relief valve certified by a nationally recognized testing laboratory that maintains periodic inspection of production of listed equipment or materials, as meeting the requirements for Relief Valves and Automatic Gas Shutoff Devices for Hot Water Supply Systems, ANSI Z21.22. This valve must be marked with a maximum set pressure not to exceed the marked maximum working pressure of the water heater. Install the valve into an opening provided and marked for this purpose in the water heater, and orient it or provide tubing so that any discharge from the valve exits only within 6 inches above, or at any distance below, the structural floor, and does not contact any live electrical part. The discharge opening must not be blocked or reduced in size under any circumstances.

## TO FILL THE WATER HEATER

**⚠ WARNING** Risk of Unit Damage - The tank must be full of water before heater is turned on. The water heater warranty does not cover damage or failure resulting from operation with an empty or partially empty tank.

Make certain the drain valve is completely closed. Open the shut-off valve in the cold water supply line. Open each hot water faucet slowly to allow the air to vent from the water heater and piping.

A steady flow of water from the hot water faucet(s) indicates a full water heater.

Condensation can form on the tank and fittings when it is first filled with water. Condensation may also occur with a heavy water draw and very cold inlet water temperature.

This condition is not unusual and will disappear once water is heated. If condition persists, examine fittings for potential leaks and repair, as required.

## ⚠ NOTICE

Do not mis-wire electrical connections. 240VAC or 208VAC must be applied across L1 and L2 wires as shown in 'Water heater junction box' illustration.

If a 4-conductor wire is supplied to the water heater, cap the neutral, and connect the remaining wires as illustrated.

# Installation Instructions

## ELECTRICAL CONNECTIONS

A separate branch circuit with copper conductors, overcurrent protective device and suitable disconnecting means must be provided by a qualified electrician.

All wiring must conform to local codes or latest edition of National Electrical Code ANSI/NFPA 70.

The water heater is completely wired to the junction box at the top of the water heater. An opening for 1/2" electrical fitting is provided for field wiring connections.

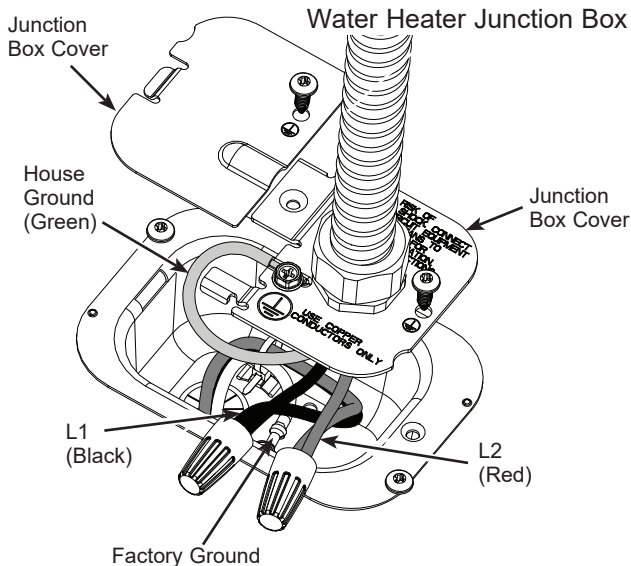
The voltage requirements and wattage load for the water heater are specified on the rating label on the front of the water heater.

**The branch circuit wiring should include either:**

1. Metallic conduit or metallic sheathed cable approved for use as a grounding conductor and installed with fittings approved for the purpose.
2. Nonmetallic sheathed cable, metallic conduit or metallic sheathed cable not approved for use as a ground conductor shall include a separate conductor for grounding. It should be attached to the ground terminals of the water heater and the electrical distribution box.

To connect power to the water heater:

1. Turn the power off.
2. Remove the screw/screws holding the junction box top cover.
3. Install L1 to L1, L2 to L2 and ground wire onto the fixed junction box cover, per illustration below.
4. Reconnect all screws attaching the junction box covers.



**⚠ WARNING** Risk of fire or electrical shock. Ensure both junction box covers and ground screws are securely fastened for proper grounding.

**NOTE:** Install electric connections according to local codes or latest edition of National Electrical Code ANSI/NFPA 70.

**⚠ WARNING** Proper ground connection is essential. The presence of water in the piping and water heater does not provide sufficient conduction for a ground. Nonmetallic piping, dielectric unions, flexible connectors, etc., can cause the water heater to be electrically isolated. Do not disconnect factory ground.

The manufacturer's warranty does not cover any damage or defect caused by installation, attachment or use of any type of energy-saving or other unapproved devices (other than those authorized by the manufacturer) into, onto or in conjunction with the water heater. The use of unauthorized energy-saving devices may shorten the life of the water heater and may endanger life and property.

The manufacturer disclaims any responsibility for such loss or injury resulting from the use of such unauthorized devices.

If local codes require external application of insulation blanket kits, the manufacturer's instructions included with the kit must be carefully followed.

**Application of any external insulation, blankets or water pipe insulation to this water heater will require careful attention to the following:**

- Do not cover the temperature and pressure-relief valve.
- Do not cover access panels to the heating elements.
- Do not cover the electrical junction box of the water heater.
- Do not cover the operating or warning labels attached to the water heater or attempt to relocate them on the exterior of the insulation blanket.

**NOTE:** This guide recommends minimum branch circuit sizing based on the National Electric Code. Refer to wiring diagrams in this manual for field wiring connections.

## BRANCH CIRCUIT SIZING GUIDE

Total Water Heater Wattage	Recommended Over-Current Protection (fuse or circuit breaker amperage rating)	Copper Wire Size AWG Based on N.E.C. Table 310-16 (167°F/75°C.)
<b>@240V</b>	<b>208-240V</b>	<b>208-240V</b>
3,000	20	12
4,000	25	10
4,500	25	10
5,000	30	10
<b>5,500</b>	<b>30</b>	<b>10</b>
6,000	35	8
8,000	45	8
9,000	50	8
10,000	–	–
11,000	–	–
12,000	–	–



# Troubleshooting

Before you call for service....

Save time and money! Review the chart below first and you may not need to call for service.

**⚠ CAUTION** For your safety, **DO NOT** attempt repair of electrical wiring, controls, heating elements or other safety devices. Refer repairs to qualified service personnel.

Problem	Possible Causes	What To do
<b>OPERATION AND PERFORMANCE</b>		
<i>Not enough or no hot water</i>	Water temperature may be set too low	<ul style="list-style-type: none"> <li>See the <i>Water Temperature Adjustment</i> and <i>Water Heater Capacity</i> sections. (Pages 4 and 6)</li> </ul>
	Cold water inlet temperature may be colder during the winter months	<ul style="list-style-type: none"> <li>This is normal. The colder inlet water takes longer to heat.</li> <li>Consider increasing the set temperature as described in the <i>Water Temperature Adjustment</i> section.</li> </ul>
	Leaking or open hot water faucets	<ul style="list-style-type: none"> <li>Make sure all faucets are closed.</li> </ul>
	Long runs of exposed pipe, or hot water piping on outside wall	<ul style="list-style-type: none"> <li>Insulate piping.</li> </ul>
	Dip tube damaged	<ul style="list-style-type: none"> <li>Contact your local installer, plumbing contractor, or previously agreed upon service agency.</li> </ul>
	A fuse is blown, circuit breaker tripped, or electric service to your home may be interrupted	<ul style="list-style-type: none"> <li>Replace fuse or reset circuit breaker.</li> <li>Contact the local electric utility.</li> </ul>
	Inadequate wiring	<ul style="list-style-type: none"> <li>See the <i>Installation Instructions</i>.</li> </ul>
	Manual reset high limit (ECO)	<ul style="list-style-type: none"> <li>See the <i>Safety Controls</i> section, see page 5.</li> </ul>
	Water Connections to unit reversed	<ul style="list-style-type: none"> <li>Correct piping connections.</li> </ul>
	Recirculating System Interference (if installed)	<ul style="list-style-type: none"> <li>Check flow rate is not set too high.</li> <li>Insulate piping</li> </ul>
<i>Water is too hot</i>	Water temperature is set too high	<ul style="list-style-type: none"> <li>See the <i>Water Temperature Adjustment</i> section.</li> </ul>
	Thermostat has failed	<ul style="list-style-type: none"> <li>Contact your local installer, plumbing contractor, or previously agreed upon service agency.</li> </ul>
<b>OTHER</b>		
<i>Rumbling noise</i>	Water conditions in your home caused a buildup of scale or mineral deposits on the heating elements	<ul style="list-style-type: none"> <li>Remove and clean the heating elements. This should only be done by a qualified service person or plumbing contractor.</li> </ul>
<i>Water dripping down the outside of the heater</i>	Hot/Cold water connections or other parts have loosened	<ul style="list-style-type: none"> <li>Tighten the loose connections. This should only be done by a qualified service person or plumbing contractor.</li> </ul>
<i>Relief valve producing popping sound or draining</i>	Pressure buildup caused by thermal expansion to a closed system	<ul style="list-style-type: none"> <li>This is an unacceptable condition and must be corrected. See <i>Thermal Expansion</i> section on page 12. Do not plug the relief valve outlet. Contact a plumbing contractor to correct this.</li> </ul>
<i>Hot water has a rotten egg or sulfur smell</i>	Certain water supplies with high sulfate content will react with the anode rod that is present in all water heaters for corrosion protection of the tank	<ul style="list-style-type: none"> <li>The odor can be reduced or eliminated in most water heaters by replacing the anode rod with less-active material rod. In some cases, an added step of chlorinating the water heater and all hot water lines may be necessary, contact your local water professional or plumber for options and instructions. Go to <a href="http://GEAppliances.com/waterheater">GEAppliances.com/waterheater</a> for information on purchasing this replacement anode rod. A qualified servicer or plumber should do this replacement. Use of a non-GE Appliances approved anode rod, or operating the water heater without a GE Appliances approved anode rod will VOID the warranty.</li> <li>In certain cases, increasing the tank temperature to 140°F (60°C) can reduce this odor issue. Reference the <i>Water Temperature Adjustment</i> section of the Important Safety Information of this manual for procedure and dangers of scalding water. Installation of temperature limiting valves can be used to reduce risk of scalding.</li> </ul>

# Replacement Parts

For standard thermostat control models with double elements.

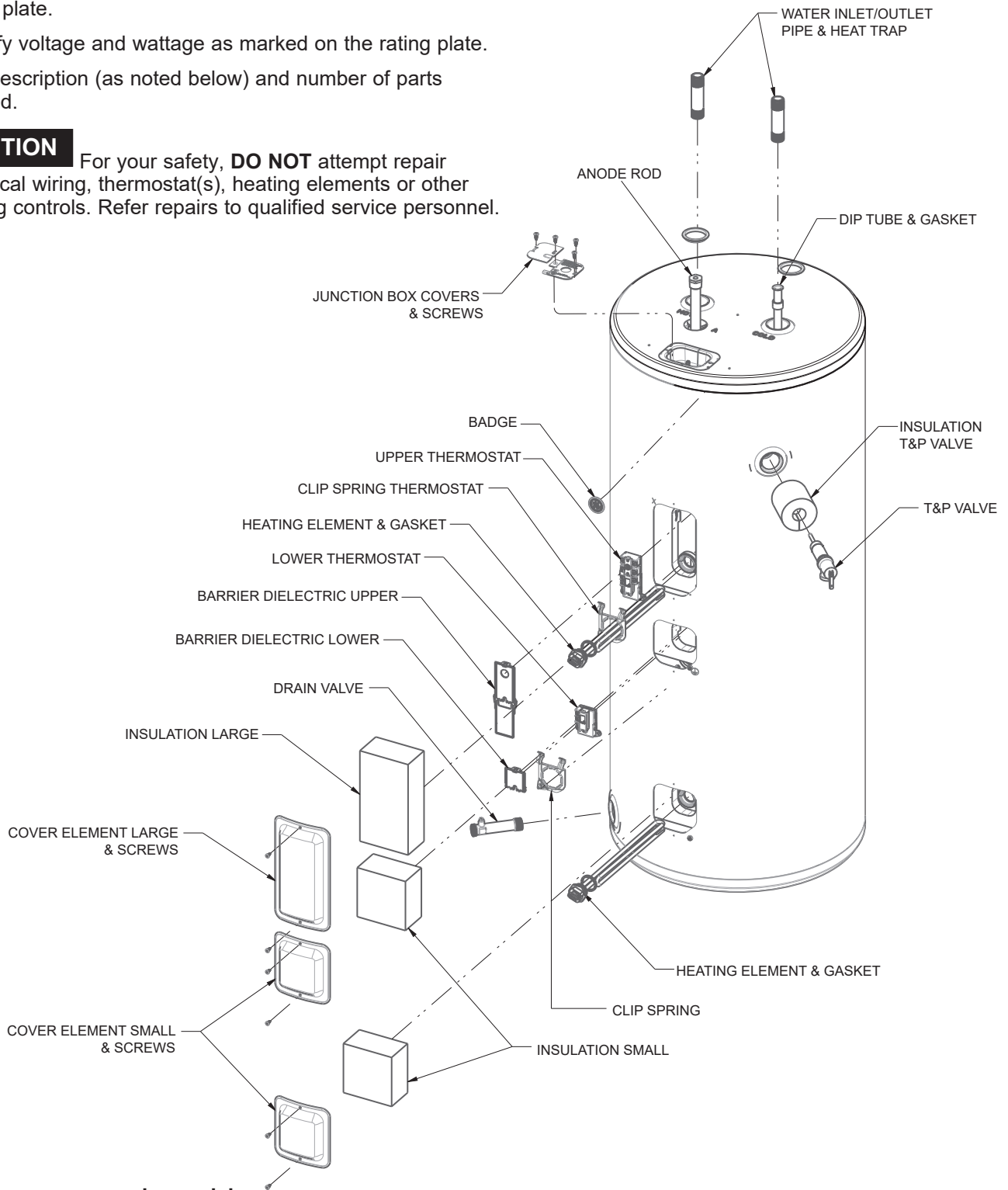
## Instructions for Placing a Parts Order

To place orders using a Visa/MasterCard or Discover contact [GEApplianceparts.com](http://GEApplianceparts.com).

All parts orders should include:

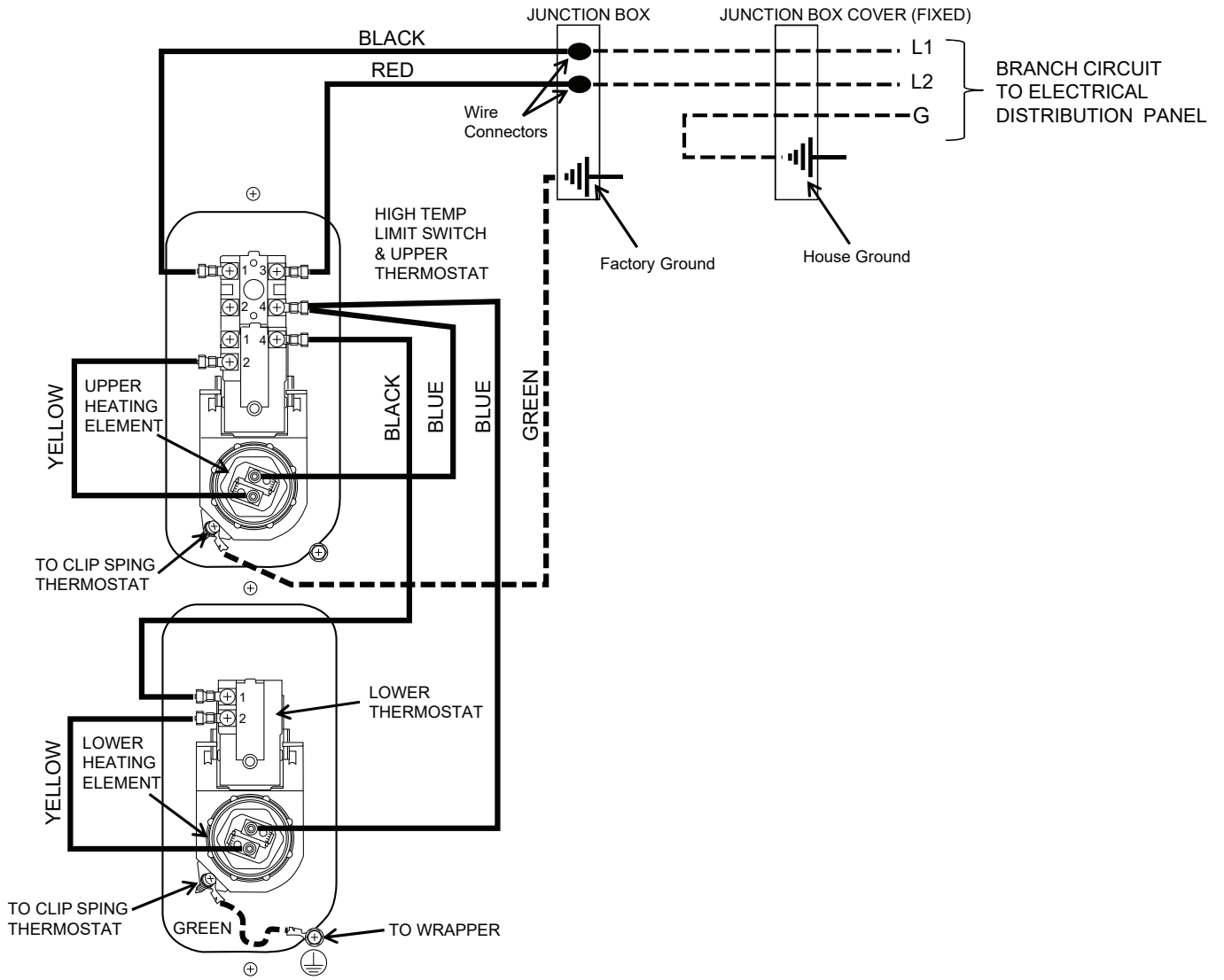
1. The model and serial number of the water heater from the rating plate.
2. Specify voltage and wattage as marked on the rating plate.
3. Part description (as noted below) and number of parts desired.

**CAUTION** For your safety, **DO NOT** attempt repair of electrical wiring, thermostat(s), heating elements or other operating controls. Refer repairs to qualified service personnel.



Appearance may vary by model.

# Wiring Diagram





# GE Appliances Electric Water Heater Limited Warranty

**LIMITED WARRANTY**

All warranty service is provided by our Factory Service Centers, or an authorized Customer Care® technician. To schedule service for your GE water heater call GE Water Heaters at 1-800-943-8186. Please have your serial number and your model number available when calling for service. Servicing your appliance may require the use of the onboard data port for diagnostics. This gives a GE Appliances factory service technician the ability to quickly diagnose any issues with your appliance and helps GE Appliances improve its products by providing GE Appliances with information on your appliance. If you do not want your appliance data to be sent to GE Appliances, please advise your technician not to submit the data to GE Appliances at the time of service

For The Period Of:	We Will Replace:
<b>One Year</b> From the date of the original purchase	<b>Any factory specified part</b> of the water heater which fails due to a defect in materials or workmanship. During this <b>limited one-year warranty</b> , we will also provide, free of charge, all labor and related service to replace the defective part.
<b>Second through Eighth or Tenth Year</b> From the date of the original purchase	<b>Any part</b> of the Water Heater which fails due to a defect in materials or workmanship. During this <b>limited second through the end of the warranty period</b> , labor and related service to replace the defective part are not included.  *Warranty is based on the 6th and 7th digit of model number located on rating plate (e.g.: GE50T08BAM has a part warranty of 8 years).

## What Is Not Covered:

- Service trips to your home to teach you how to use the product.
- Improper installation, delivery or maintenance.
- Replacement parts shipping and handling and cost to remove defective part or tank after the first year limited warranty are NOT covered.
- Failure of the product if it is abused, misused, altered, or used for other than the intended purpose.
- Use of this product where water is microbiologically unsafe or of unknown quality, without adequate disinfection before or after the system.
- Replacement of house fuses or resetting of circuit breakers.
- Damage to the product caused by accident, lightning, fire, flood or acts of God.
- Incidental or consequential damage caused by possible defects with this appliance, its installation or repair.
- Product not accessible to provide required service in a safe manner. Attic installation must have flooring and accessible stairs.
- If product removed from original installation location.
- If product or other appliance must be moved for service access.
- Damage, malfunction or failure caused by the use of repair service not approved by GE Appliances.
- Damage, malfunction or failure caused by the use of unapproved parts or components.
- Damage, malfunction or failure caused by operating the water heater with the anode rod removed.
- Anode Rod inspection and replacement.
- Damage, malfunction or failure resulting from operating the water heater with an empty or partially empty tank.
- Damage, malfunction or failure caused by subjecting the tank to pressure greater than those shown on the rating label.
- Damage, malfunction or failure caused by operating the water heater with electrical voltage outside the voltage range listed on the rating label.
- Water heater failure due to the water heater being operated in a corrosive atmosphere.
- If this water heater is used for other than residential private family use, labor will not be covered under warranty, and the parts warranty is reduced to 1 year from the date of purchase.

**EXCLUSION OF IMPLIED WARRANTIES—Your sole and exclusive remedy is product repair as provided in this Limited Warranty. Any implied warranties, including the implied warranties of merchantability or fitness for a particular purpose, are limited to one year or the shortest period allowed by law.**

This limited warranty is extended to the original purchaser and any succeeding owner for products purchased for home use within the USA. If the product is located in an area where service by a GE Appliances Authorized Servicer is not available, you may be responsible for a trip charge or you may be required to bring the product to an Authorized GE Appliances Service location for service. In Alaska, the limited warranty excludes the cost of shipping or service calls to your home.

Some states do not allow the exclusion or limitation of incidental or consequential damages. This limited warranty gives you specific legal rights, and you may also have other rights which vary from state to state. To know what your legal rights are, consult your local or state consumer affairs office or your state's Attorney General.

**For product purchased outside of the US, contact your dealer for Warranty and Service information.**

**Warrantor for Products Purchased in the United States:**

**GE Appliances, a Haier company**

**Louisville, KY 40225**

Staple your receipt here. Proof of the original purchase date is needed to obtain service under the warranty.

# Consumer Support

---

## Register Your Appliance

Register your new appliance on-line at your convenience! Timely product registration will allow for enhanced communication and prompt service under the terms of your warranty, should the need arise.

- Scan QR Code on product registration card, or on product.



**NOTE:** This is just an example of what a QR code represents.

- Or go to **GEAppliances.com/register**
- Or mail in your pre-printed registration card included in the packing material

## Consumer Service

---

If you have a question or need assistance with your new water heater on adjustments, repairs, or routine maintenance:

- Review the Troubleshooting Tips or Care and Cleaning sections of this Owner's Manual.
- Contact your local installer, plumbing contractor, or call GE Appliances Service and Support at 1-800-943-8186.

**NOTE:** Your installer phone number may be located on the product label.

If you still have issues, contact the GEA Customer Support at [GEAppliances.com/waterheater](http://GEAppliances.com/waterheater)

---

## Parts and Accessories

Individuals qualified to service their own appliances can have parts or accessories sent directly to their homes. (VISA, MasterCard and Discover cards are accepted). Order on-line today 24 hours every day.

In the US, go to [GEApplianceparts.com](http://GEApplianceparts.com)

---

## Contact Us

If you are ultimately not satisfied with the service you receive, contact us on our Website with all the details including your phone number, or write to:

In the US: General Manager, Customer Relations |GE Appliances, Appliance Park |Louisville, KY 40225  
**GEAppliances.com/contact**



# Électrique à usage domestique CHAUFFES-EAU

**INFORMATION SUR LA SÉCURITÉ** .....3

**CONSIGNES D'UTILISATION** ... 6

**ENTRETIEN ET NETTOYAGE** ... 9

**INSTRUCTIONS D'INSTALLATION** ..... 13

**CONSEILS DE DÉPANNAGE** ... 14

**PIÈCES DE RECHANGE** ..... 15

**SCHÉMA DE CÂBLAGE** ..... 16

**GARANTIE LIMITÉE** ..... 17

**SOUTIEN AU CONSOMMATEUR**..... 18

## MANUEL D'UTILISATION

Modèles de commande de thermostat de marque GE avec raccords d'eau supérieurs ou latéraux

Inscrivez les numéros de modèle et de série ici :

No de modèle \_\_\_\_\_

No de série \_\_\_\_\_

Vous trouverez ces numéros sur l'étiquette apposée à l'avant de votre chauffe-eau.



Certified to NSF/ANSI 372

Voir [http://info.nsf.org/Certified/Lead\\_Content/](http://info.nsf.org/Certified/Lead_Content/) for specific model listing

## **NOUS VOUS REMERCIONS D'ACCUEILLIR GE APPLIANCES CHEZ VOUS**

---

Que vous ayez grandi avec GE Appliances ou qu'il s'agisse de votre première acquisition, nous sommes heureux de vous accueillir dans notre famille.

Nous sommes fiers du savoir-faire, de l'innovation et de l'esthétique qui composent chaque appareil GE Appliances, et nous pensons que vous le serez aussi. Dans cette optique, nous vous rappelons que l'enregistrement de votre électroménager vous assure la communication de renseignements importants sur le produit et la garantie lorsque vous en avez besoin.

Enregistrez votre électroménager GE en ligne dès maintenant. Des sites Web et des numéros de téléphone utiles figurent dans la section Soutien au consommateur de ce manuel d'utilisation. Vous pouvez aussi poster la fiche de garantie pré-imprimée incluse dans l'emballage.



**GE APPLIANCES**

# INSTRUCTIONS IMPORTANTES DE SÉCURITÉ

## LISEZ TOUTES LES INSTRUCTIONS AVANT UTILISANT LA APPAREIL

### ⚠ AVERTISSEMENT

Pour votre sécurité, vous devez suivre les instructions contenues dans ce manuel pour réduire les risques d'incendie ou d'explosion, d'électrocution ou pour prévenir les dommages matériels, les blessures ou la mort.

Assurez-vous de lire et de comprendre tout le manuel de l'utilisateur avant de tenter d'installer ou de faire fonctionner ce chauffe-eau. Vous sauvez du temps et de l'argent. Accordez une attention toute particulière aux directives de sécurité. Tout manquement à ces avertissements peut occasionner des blessures graves ou la mort. Si vous avez de la difficulté à comprendre les instructions contenues dans ce manuel ou si vous avez des questions, ARRÊTEZ et demandez de l'aide à un technicien qualifié ou à votre fournisseur d'électricité.

### ⚠ AVERTISSEMENT

**Risque d'incendie - NE stockez PAS et N'utilisez PAS d'essence ou d'autres vapeurs et liquides inflammables à proximité de cet appareil ou de tout autre. Gardez les chiffons et combustibles à l'écart.**

### ⚠ AVERTISSEMENT

**Si le chauffe-eau a été soumis à une inondation, un incendie ou à des dommages matériels, coupez l'alimentation du chauffe-eau en électricité et en eau.**

Ne pas utiliser le chauffe-eau tant qu'il n'a pas été complètement vérifié par un technicien de service qualifié.

#### Précautions de sécurité

**A. Coupez** l'alimentation au chauffe-eau si celui-ci a été soumis à une surchauffe, un incendie, une inondation ou des dommages physiques.

**B. Ne rallumez pas** le chauffe-eau s'il n'est pas rempli pas d'eau.

**C. Ne rallumez pas** le chauffe-eau si le robinet d'alimentation d'eau froide est fermé.

**REMARQUE : Des vapeurs inflammables provenant des zones environnantes peuvent être amenées par des courants d'air jusqu'au chauffe-eau.**

**D.** Si vous éprouvez des difficultés à comprendre les instructions d'utilisation suivantes ou la section d'entretien et nettoyage, nous vous suggérons de faire appel à une personne qualifiée pour accomplir le travail. the work.

### ⚠ ATTENTION

**Risque d'incendie** - L'essence ainsi que d'autres substances et liquides inflammables (adhésifs, solvants, etc.) et les émanations qu'ils produisant sont extrêmement dangereux. NE PAS manipuler, utiliser ou entreposer de l'essence ou d'autres substances inflammables ou combustibles près d'un chauffe-eau. L'arc électrique à l'intérieur de la commande du chauffe-eau peut allumer ces émanations. Le manquement à cette directive peut entraîner des dommages matériels, des blessures ou la mort.

### ⚠ POUR INSTALLATIONS DANS L'ÉTAT DE CALIFORNIE

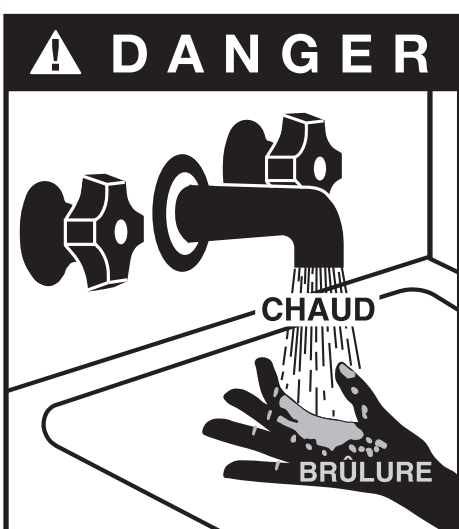
Les lois de la Californie exigent que les chauffe-eau résidentiels soient fixés, ancrés ou attachés pour qu'ils ne tombent pas et qu'ils résistent aux mouvements horizontaux causés par les tremblements de terre. Pour les chauffe-eau résidentiels d'une capacité inférieure à 197 litres (52 gallons), vous pouvez vous procurer une brochure avec des instructions génériques de fixation pour les tremblements de terre en vous adressant à : Office of the State Architect, 400 P Street, Sacramento, CA 95814 ou vous pouvez téléphoner au 916.324.5315 ou demander à un distributeur de chauffe-eau.

Cependant, ce sont les codes municipaux applicables qui régissent l'installation. Pour les chauffe-eau résidentiels d'une capacité supérieure à 197 litres (52 gallons), adressez-vous aux autorités municipales pour connaître les procédures de fixation acceptables.

## LIRE ET CONSERVER CES INSTRUCTIONS

# INSTRUCTIONS IMPORTANTES DE SÉCURITÉ

## LISEZ TOUTES LES INSTRUCTIONS AVANT UTILISANT LA APPAREIL



L'eau à une température supérieure à 52 °C (125 °F) peut causer instantanément des brûlures graves ou la mort par ébouillantage.

Le réglage de la commande électronique de température est habituellement proche de la température de l'eau au robinet. Toutefois, certains facteurs peuvent causer une hausse de la température de l'eau pouvant aller jusqu'à 71 °C (160 °F), peu importe le réglage de la commande. Touchez toujours l'eau avant de vous baigner ou de prendre votre douche.

Les enfants et les personnes handicapées ou âgées sont plus à risque de s'ébouillanter.

Consultez les instructions contenues dans ce manuel avant de régler la température du chauffe-eau.

Touchez l'eau avant de vous baigner ou de prendre votre douche.

Des valves de limitation de la température sont vendues; consultez ce manuel.

### RÉGLAGE DE LA TEMPÉRATURE DE L'EAU

La sécurité, la conservation d'énergie et la capacité d'eau chaude sont des facteurs à considérer lors du réglage de la température de l'eau du chauffe-eau. Une température de l'eau supérieure à 52 °C (125 °F) peut causer des brûlures graves ou la mort par ébouillantage. Assurez-vous de lire et de suivre les avertissements exposés sous l'image de l'étiquette ci-dessous. Cette étiquette est également sur le chauffe-eau près du dessus du réservoir.

#### Relation température/temps pour les brûlures

Température	Temps pour produire une brûlure grave
49°C (120°F)	Plus de 5 minutes
52°C (125°F)	1-1/2 à 2 minutes
44°C (130°F)	Environ 30 secondes
57°C (135°F)	Environ 10 secondes
60°C (140°F)	Moins de 5 secondes
63°C (145°F)	Moins de 3 secondes
66°C (150°F)	Environ 1-1/2 secondes
68°C (155°F)	Environ 1 seconde

Tableau courtoisie du Shriners Burn Institute

Le tableau ci-dessus peut servir de guide pour déterminer la température de l'eau de votre domicile.

**▲ DANGER** Il existe une possibilité de s'ébouillanter si le chauffe-eau est réglé à une température trop élevée. Les ménages avec des petits enfants ou des personnes handicapées ou âgées peuvent nécessiter un réglage du thermostat à 49 °C (120 °F) ou moins pour prévenir le contact avec de l'eau TROP CHAUDE.

Le thermostat a été réglé à l'usine à 49 °C (120 °F) afin de réduire le risque d'ébouillantage. Il s'agit du réglage de température initial recommandé, mais on peut changer cette valeur entre 38 °C et 60 °C (100 °F et 140 °F).

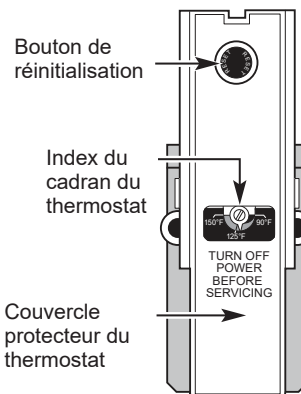
### Réglage de la température de l'eau

La température de l'eau dans le chauffe-eau peut être contrôlée en réglant le cadran de température sur le ou les thermostats réglables montés sur la surface et situés derrière le ou les panneaux d'accès de l'enveloppe. Les éléments chauffants doubles sont dotés de 2 thermostats.

L'illustration montre le cadran de réglage de température utilisé pour régler la température de l'eau.

Reportez-vous aux instructions de fonctionnement de ce manuel pour des instructions détaillées sur le réglage des thermostats.

**▲ DANGER** L'eau plus chaude augmente la probabilité d'échaudure par eau très chaude.



# INSTRUCTIONS IMPORTANTES DE SÉCURITÉ

## LISEZ TOUTES LES INSTRUCTIONS AVANT UTILISANT LA APPAREIL

### DISPOSITIFS DE SÉCURITÉ

Le chauffe-eau est équipé d'un thermostat combiné à un coupe-circuit thermique de limite haute (ECO) situé au-dessus de l'élément chauffant en contact avec la surface du réservoir. Si pour une raison quelconque la température de l'eau devient excessivement élevée, le coupe-circuit de limite haute (ECO) coupe le circuit de l'élément chauffant. Une fois le coupe-circuit ouvert, il doit être réinitialisé. La réinitialisation du coupe-circuit doit être effectuée pour un technicien qualifié.

**ATTENTION** La cause de la température élevée doit être déterminée par un technicien qualifié et des mesures de correction doivent être prises avant la remise en service du chauffe-eau.

#### Pour réinitialiser la commande de limitation de température:

1. Coupez l'alimentation électrique du chauffe-eau.
2. Retirez le(s) panneau(x) d'accès et l'isolation.  
Le couvercle de protection du thermostat ne doit pas être retiré.
3. Appuyez sur le bouton rouge marqué RESET (réinitialiser).
4. Remplacez l'isolant et le/les panneau(x) d'accès avant de reconnecter le chauffe-eau à l'alimentation électrique.
5. Assurez-vous que le chauffe-eau fonctionne correctement une fois le dispositif ECO réinitialisé.

**LIRE ET CONSERVER CES INSTRUCTIONS**

# Consignes d'utilisation

## Capacité du chauffe-eau et augmentation du point de réglage de la température:

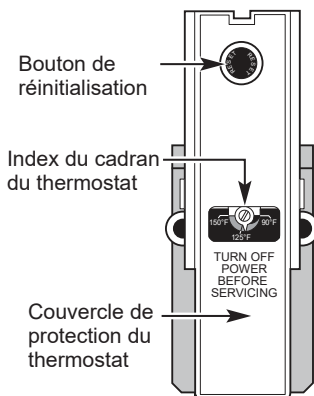
Le réglage de la température du chauffe-eau impacte fortement la quantité d'eau chaude disponible pour la douche ou le bain.

- La réglementation de sécurité exige que le réglage d'usine de tous les nouveaux chauffe-eau soit inférieur ou égal à 125 °F (52 °C). Par conséquent, si votre vieux chauffe-eau était réglé à une température plus chaude que le nouveau dont le point de réglage d'usine est de 120 °F (49 °C), ce dernier peut sembler fournir une capacité moindre que le vieux. Vous pouvez corriger cela en augmentant le point de réglage de la température.
- On peut prolonger la durée d'un contenu d'eau chaude de 25 % en passant de 120 °F à 135 °F (49 °C à 57 °C) car moins d'eau chaude sera mélangée au robinet ou au pommeau.
- Augmenter le réglage de température peut améliorer l'efficacité de lavage du lave-vaisselle ou de la machine à laver.
- L'utilisateur peut donc régler la température selon ses besoins. Lisez et assimilez toujours les instructions de sécurité du manuel d'utilisation avant de régler la température.

### Si une modification de la température est nécessaire... .

1. Coupez l'alimentation électrique au chauffe-eau.
2. Enlevez le ou les panneaux d'accès de l'enveloppe et l'isolant afin d'exposer le ou les thermostats. Il ne faut pas retirer le couvercle de protection du thermostat.
3. À l'aide d'un petit tournevis, réglez le ou les cadrans de thermostat à la température désirée. Réglez les thermostats supérieur et inférieur à la même température afin de maximiser la disponibilité d'eau chaude.
4. Remplacez l'isolant et le ou les panneaux d'accès de l'enveloppe.

Rétablissez l'alimentation électrique au chauffe-eau.



## Robinets mélangeurs

- Des robinets mélangeurs servant à réduire la température de l'eau au point d'utilisation en mélangeant l'eau chaude et froide aux embranchements des conduites d'eau sont offerts dans le commerce. Contactez un plombier agréé ou l'autorité locale en matière de plomberie pour plus d'information.

## Périodes d'arrêt prolongé

Si vous prévoyez ne pas utiliser le chauffe-eau durant une longue période, coupez l'alimentation électrique et de l'eau à l'appareil et vidangez le chauffe-eau afin de conserver l'énergie et prévenir l'accumulation dangereuse de l'hydrogène. Cet appareil n'étant pas muni d'un interrupteur, il faut couper l'alimentation électrique au disjoncteur ou au sectionneur.

Il faut vidanger le chauffe-eau et la tuyauterie s'ils risquent d'être exposés au gel.

Après une longue période d'arrêt, un technicien qualifié doit vérifier le fonctionnement et les commandes du chauffe-eau. Assurez-vous de remplir le chauffe-eau complètement avant de le faire fonctionner.

**REMARQUE:** Lisez la mise en garde relative à l'hydrogène dans les instructions de fonctionnement (voir la page 3).



# Entretien et nettoyage

## Surfaces Extérieures

Nettoyez à la main à l'aide d'un linge humide imbibé d'eau tiède seulement. Séchez en essuyant avec un linge sec et propre.

## Entretien préventif régulier

**▲ DANGER** Risque d'échaudure - Avant de manipuler la soupape de décharge, assurez-vous que personne n'est exposé à l'eau très chaude évacuée par le robinet. L'eau peut s'avérer suffisamment chaude pour poser un risque d'échaudure. L'eau doit être évacuée dans un drain approprié afin de prévenir les blessures et les dommages.

**REMARQUE :** Si la soupape de décharge et de sécurité thermique se décharge périodiquement, cela peut être causé par la dilatation thermique se produisant dans un système d'eau fermé. Contactez le fournisseur d'eau ou le plombier pour corriger la situation. Ne bouches pas l'orifice de sortie de la soupape de décharge.

Correctement entretenu, votre chauffe-eau vous procurera de nombreuses années de service sans soucis. Nous vous suggérons d'établir le programme d'entretien préventif annuel suivant.

1. Inspection de la soupape de décharge et de sécurité thermique.
2. Inspection des éléments chauffants, du dispositif ECO et du câblage de chacun.
3. Vidange et rinçage du réservoir du chauffe-eau.
4. Retrait et inspection de la tige d'anode.

## Température et soupape de décharge:

Une fois l'an, nous recommandons de lever et relâcher le levier de la soupape de décharge et de sécurité thermique située sur le côté avant droit du chauffe-eau afin de vérifier qu'elle fonctionne librement. Laissez plusieurs gallons s'écouler par le tuyau de vidange jusque dans un drain ouvert.

## Éléments chauffants et dispositif ECO:

Une fois l'an, nous recommandons d'inspecter les éléments chauffants, le dispositif ECO et le câblage de chacun. L'inspection doit être réalisée par un technicien qualifié en réparation d'appareils électriques.

Même neufs, tous les appareils électriques émettent des sons lorsqu'ils fonctionnent. Un sifflement ou un bourdonnement excessif peut indiquer la nécessité de nettoyer l'élément chauffant. Contactez un installateur ou un plombier qualifié pour inspection.

## Vidange et rinçage du chauffe-eau

**▲ ATTENTION** Risque de choc électrique – Coupez l'alimentation électrique au chauffe-eau avant de vidanger l'eau.

**▲ DANGER** Risque de brûlure – Avant d'utiliser la soupape de sécurité, assurez-vous que personne ne

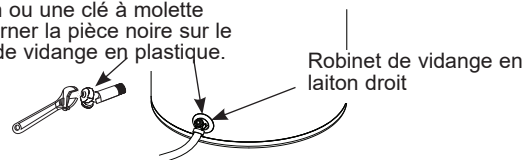
sera exposé à l'eau chaude évacuée par la soupape. L'eau évacuée du réservoir peut être suffisamment chaude pour poser un risque de brûlure et elle doit être dirigée vers un drain approprié afin de prévenir les blessures et les dommages.

Un réservoir de chauffe-eau peut agir comme un décanteur de solides en suspension dans l'eau. Il n'est donc pas rare de voir s'accumuler des dépôts d'eau dure dans le fond du réservoir.

Pour éliminer ces dépôts du réservoir, nous recommandons de vidanger et rincer le réservoir une fois l'an. Pour drainer le chauffe-eau, suivez ces étapes :

1. Coupez l'alimentation électrique à l'appareil. Les éléments chauffants seront endommagés s'ils fonctionnent sans eau.
2. Fixez un tuyau d'arrosage au robinet de vidange situé au bas de l'appareil et dirigez-le vers un drain.
3. Fermez l'alimentation en eau froide.

Utiliser un tournevis à lame plate pour tourner le robinet de vidange en laiton ou une clé à molette pour tourner la pièce noire sur le robinet de vidange en plastique.



4. Introduisez de l'air dans le réservoir en ouvrant le robinet d'eau chaude ou en levant la poignée de la soupape de sécurité.

5. Ouvrez le robinet de vidange

## Rinçage du réservoir :

1. Suivez les étapes ci-dessus pour vidanger le chauffe-eau.
2. Une fois le chauffe-eau vidé, avec robinet de vidange ouvert et tuyau d'arrosage fixé au robinet de vidange, ouvrez l'alimentation en eau froide.
3. Laissez plusieurs litres couler par le robinet de vidange et le tuyau d'arrosage jusqu'à un drain ouvert.
4. Fermez l'alimentation en eau froide et attendez que l'eau qui reste dans le réservoir se vidange totalement.
5. Répétez les étapes 3 et 4 jusqu'à ce que l'eau de vidange devienne limpide.
6. Fermez le robinet de vidange et remplissez le réservoir avant de rétablir l'électricité à l'appareil. Le réservoir est plein lorsque de l'eau s'écoule d'un robinet d'eau chaude à proximité.

Le rinçage doit être effectué dans un réservoir vide pour susciter le nettoyage de sédiments additionnels.

**Remarque :** Allez à la page 11 pour voir le diagramme du produit.

# Entretien et nettoyage

---

## Entretien préventif régulier

### Tige d'anode

Les tiges d'anode sont conçues et installées pour protéger les réservoirs d'eau domestiques et augmenter leur longévité.

La tige d'anode doit être retirée du réservoir du chauffe-eau et inspectée une fois l'an; elle doit être remplacée lorsque plus de 15,2 cm (6 po) de son âme sont exposés à l'un ou l'autre bout de la tige.\* **REMARQUE** : L'eau adoucie artificiellement usera la tige d'anode plus rapidement.

Afin de prévenir les risques de choc électrique et de fuite d'eau accidentelle, cette inspection doit être effectuée par un technicien ou un plombier qualifié et elle nécessite de couper les alimentations électrique et en eau froide avant de réparer la tige d'anode.

**AVIS** : Ne retirez pas la tige d'anode du réservoir du chauffe-eau sauf pour inspection ou remplacement, puisque le fonctionnement sans tige d'anode raccourcira la longévité du réservoir vitrifié et annulera la garantie.

L'hydraulicité de certaines régions peut développer une odeur dans le chauffe-eau. Des anodes de rechange avec un alliage d'aluminium et de zinc sont offertes pour ce genre de problème.

\***REMARQUE** : L'omission de remplacer une tige d'anode usée peut mener à l'annulation de la garantie couvrant le réservoir. Dans le cas de tous les autres composants, la garantie demeure valide sans être soumise à cette mesure d'entretien. L'inspection d'usure et la tige d'anode de remplacement ne sont pas couvertes par la garantie.

# Entretien et réparation de la tige d'anode

## ⚠ ATTENTION-CONSIGNES DE SÉCURITÉ IMPORTANTES

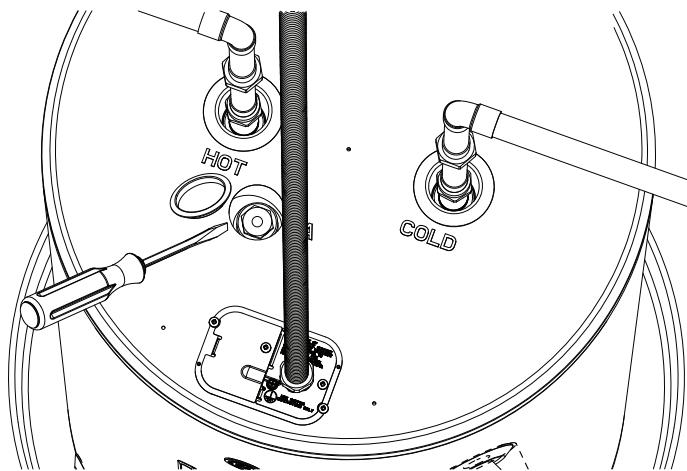
Cette information est destinée aux personnes qui possèdent une compétence adéquate en électricité, électronique et mécanique. Toute tentative de réparer un gros appareil peut causer des blessures corporelles et des dommages aux biens. Le fabricant ou le vendeur ne peuvent être tenus responsables de l'interprétation ou de l'utilisation de cette information.

### Outils requis :

- Tournevis à lame plate.
  - Clé à douille/dynamométrique
  - Douille 1 1/16 po
  - Pâte à joint ou ruban pour joint fileté
  - Tige d'anode si nécessaire.
- \* Voir la page 8 pour la commande de pièces.

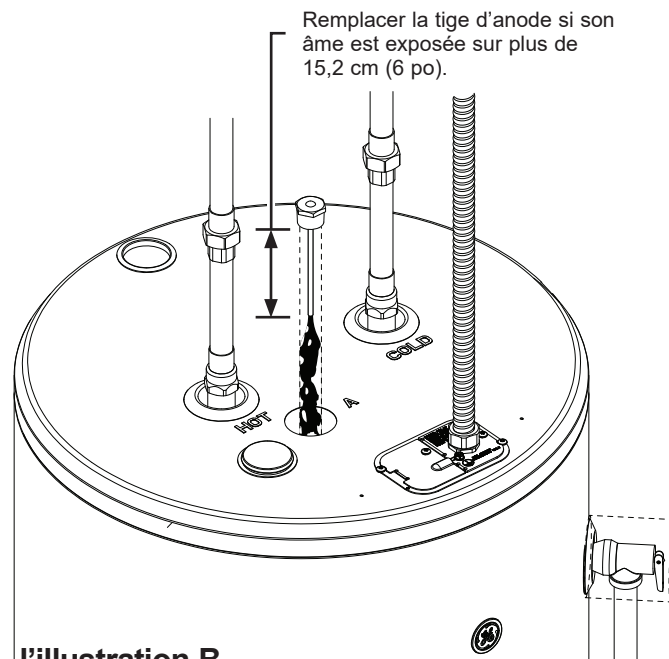
### Pour réparer la tige d'anode:

1. Coupez l'alimentation électrique, fermez l'alimentation d'eau et vidangez un ou deux gallons du chauffe-eau par le robinet de drainage inférieur.
2. Retirez le capuchon d'anode et l'isolant en mousse dans le trou à l'aide d'un tournevis à lame plate afin d'exposer le raccord d'anode comme indiqué sur l'illustration A.



l'illustration A

3. À l'aide d'une douille 1 1/16 po, dévissez la tige d'anode, puis soulevez-la pour inspection comme indiqué sur l'illustration B.
4. Inspectez et remplacez-la si nécessaire.
5. Pour installer la tige d'anode, scellez le filetage à l'aide de pâte à joint ou de ruban pour joint fileté, vissez dans l'orifice et utilisez la clé dynamométrique pour serrer au couple de  $50 \pm 5$  lb-pi.
6. Rétablissez l'alimentation d'eau, ouvrez un robinet pour expulser l'air dans le système de plomberie, vérifiez l'absence de fuites, remplacez le capuchon d'anode et rétablissez l'alimentation électrique.



l'illustration B

# Instructions d'installation

L'emplacement choisi pour le chauffe-eau doit prendre en considération les éléments suivants:

## RÈGLEMENTS MUNICIPAUX RELATIFS AUX INSTALLATIONS

Ce chauffe-eau doit être installé conformément à ces instructions, aux codes municipaux, aux codes des services publics, selon les exigences de la compagnie ou, en l'absence de réglementation municipale, conformément au Code national de l'électricité. Il est disponible dans certaines librairies ou peut être acheté auprès de l'association nationale de la prévention d'incendie (Batterymarch park, Quincy, MA 02169, USA, comme feuillet ANSI/NFPA 70).

## EXIGENCES EN MATIÈRE D'ALIMENTATION ÉLECTRIQUE

Vérifiez les inscriptions sur la plaque signalétique du chauffe-eau pour vous assurer que l'alimentation électrique correspond aux exigences du chauffe-eau.

**REMARQUE :** Les installations à 208V peuvent avoir des performances moindres.

## EMPLACEMENT

Le chauffe-eau et les conduites d'eau doivent être protégés du gel et des atmosphères hautement corrosives. N'installez pas le chauffe-eau en extérieur ou dans des zones exposées.

Localisez le chauffe-eau dans un endroit propre et sec aussi proche que possible de la zone de plus forte demande en eau chaude. De longues conduites d'eau chaude non isolées vont gaspiller de l'énergie et l'eau. L'appareil doit être installé dans un endroit de niveau. Si nécessaire, mettez l'appareil de niveau en ajoutant des cales sous sa base afin qu'il fonctionne bien.

**REMARQUE :** Cet appareil est conçu pour une installation intérieure normale.

Une installation correcte fait en sorte que les panneaux frontaux sont accessibles pour entretenir ou réparer le chauffe-eau. Les instructions d'installation de référence se trouvent dans le présent manuel.

Le déplacement du chauffe-eau ou d'autres appareils afin de procurer un service de réparation du chauffe-eau n'est pas couvert par la garantie.

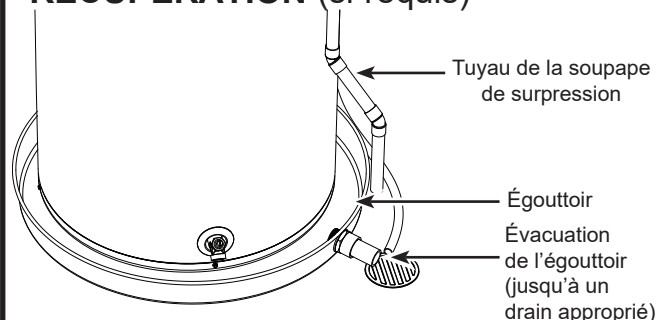
**⚠ ATTENTION** **Risque de dommage matériel**  
- Le chauffe-eau doit être placé dans un endroit où les fuites d'eau provenant du réservoir ou des raccords n'endommageront pas la zone autour de l'appareil ou les étages inférieurs. Lorsque que de tels emplacements ne peuvent être évités, il est recommandé d'installer un bac de récupération d'eau avec un système d'évacuation approprié en dessous de l'appareil.

## EMPLACEMENT (Suite)

### Dégagements nécessaires:

Un dégagement suffisant doit se trouver entre tout objet et le dessus, l'arrière et les côtés du chauffe-eau dans l'éventualité d'une intervention. L'accès aux commandes et au drain devant l'appareil doit être libre pour le fonctionnement et l'entretien ou la réparation. Les installations qui exigent un dégagement minimal sur les côtés ou l'arrière du chauffe-eau pour les sangles antisismiques sont aussi acceptables. Dans ces cas, il faut allouer un dégagement supplémentaire du côté opposé de l'appareil pour l'accès de service. **Pour cette situation, un espace libre additionnel doit être pourvu sur le côté opposé de l'appareil pour offrir un accès lors des réparations.**

## INSTALLATION DU BAC DE RÉCUPÉRATION (si requis)



**REMARQUE :** Le bac de récupération de l'eau doit être conforme aux codes municipaux. Des nécessaires d'installation de bac de récupération sont disponibles auprès du détaillant où le chauffe-eau a été acheté, un magasin de matériaux de construction ou un revendeur de chauffe-eau. L'égouttoir doit être d'une largeur supérieure de 5,1 cm (2 po), au minimum, par rapport au diamètre de la base du chauffe-eau. Pour prévenir la corrosion et améliorer l'accès à la soupape de surpression, il est recommandé de placer le chauffe-eau sur des espaceurs à l'intérieur de l'égouttoir.

## EXPANSION THERMIQUE

La présence d'un clapet antiretour sur la conduite d'eau d'admission crée un « système fermé ». Chauffer de l'eau dans un système fermé augmente la pression car celle-ci ne peut se dissiper dans la conduite d'alimentation principale. Désignée « expansion thermique », l'accroissement rapide de pression peut déclencher la soupape de sécurité (évacuant de l'eau) pendant chaque cycle de chauffage, ce qui peut causer une défaillance prématurée de la soupape ou même du chauffe-eau. La méthode suggérée pour contrôler l'expansion thermique consiste à installer un réservoir d'expansion sur la conduite d'eau froide entre le chauffe-eau et le clapet antiretour, comme montré dans les illustrations suivantes. Communiquez avec votre installateur, votre fournisseur d'eau ou l'inspecteur en plomberie pour de plus amples renseignements.

# Instructions d'installation

## RACCORDEMENT À L'ALIMENTATION EN EAU

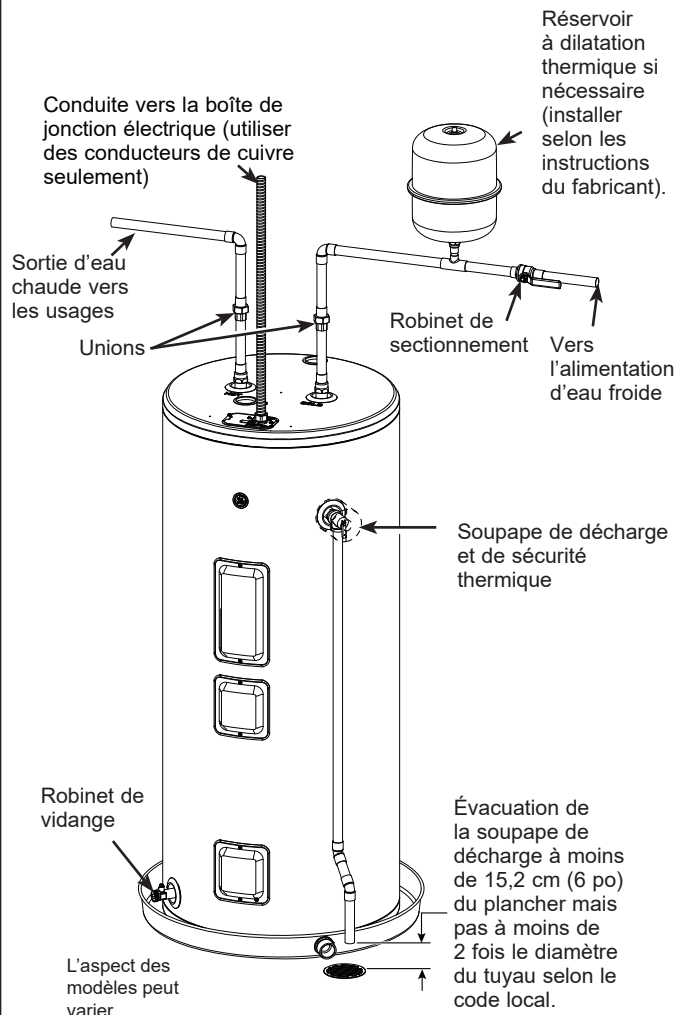
Reportez-vous à l'illustration ci-dessous pour une suggestion d'installation. Les raccords d'eau CHAUDE (Hot) et FROIDE (Cold) sont clairement identifiés et mesurent 3/4 po NPT sur tous les modèles. Lors du raccordement sur les orifices d'entrée ou de sortie, l'utilisation de raccords à filetage conique femelles 3/4 po NPT avec scellant à filetage est recommandé. L'installation de raccords-unions est recommandée pour le raccordement à l'eau chaude et froide de façon à pouvoir débrancher le chauffe-eau aisément dans l'éventualité d'une réparation. La tuyauterie doit être disposée de façon à permettre le retrait de la tige d'anode.

**REMARQUE:** Installez un robinet d'arrêt dans la conduite d'alimentation d'eau froide près du chauffe-eau. Ceci permettra plus tard de faciliter l'entretien ou la maintenance de l'appareil.

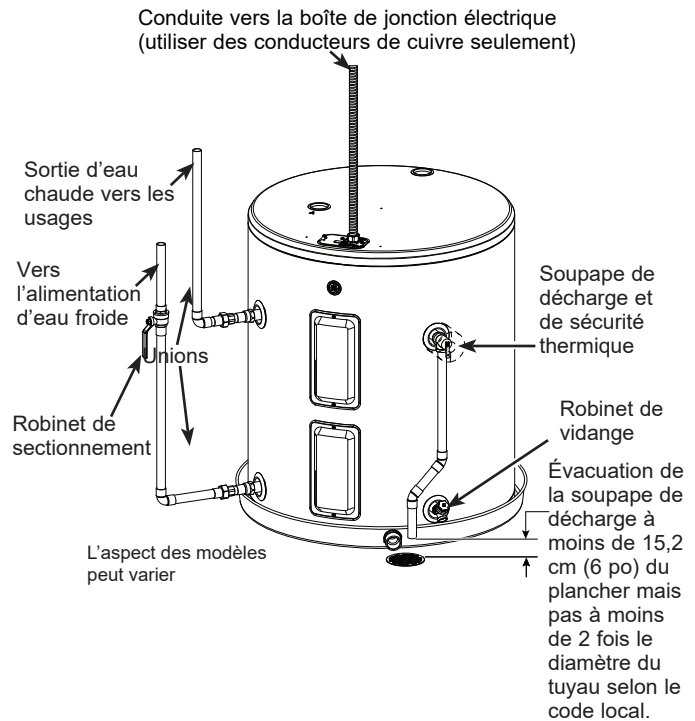
**IMPORTANT:** N'appliquez pas de chaleur aux raccords d'eau FROIDE ou CHAUDE. Si des raccords soudés à l'étain sont utilisés, soudez le tuyau à l'adaptateur avant de fixer l'adaptateur aux raccords d'eau froide sur le chauffe-eau. Toute application de chaleur sur les raccords d'eau froide ou chaude peut endommager de façon permanente le revêtement interne en plastique de ces orifices.

Installez une soupape casse-vide et/ou un dispositif antisiphon lorsque le code local l'exige.

## INSTALLATION TYPIQUE AVEC RACCORDEMENT SUR LE DESSUS



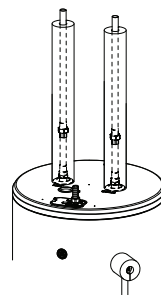
## INSTALLATION TYPIQUE AVEC RACCORDEMENT SUR LE CÔTÉ (autrement identique à l'installation sur le dessus)



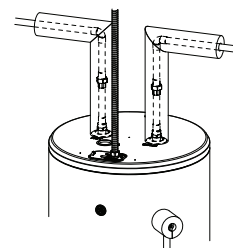
## INSTALLATION D'ISOLANT DE TUYAUX D'EAU CHAUDE ET FROIDE (si fournis avec le produit)

Pour améliorer l'efficacité énergétique, certains chauffe-eau sont livrés avec deux sections d'isolant de 61 cm (24 po) pour tuyaux.

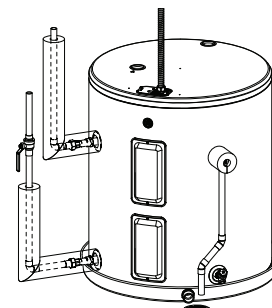
### Configuration typique de tuyauterie verticale



### Configuration typique de tuyauterie horizontale



### Configuration typique de tuyauterie latérale



Veuillez installer l'isolant selon l'illustration ci-dessus qui répond le mieux à vos besoins.



# Instructions d'installation

## SOUPE DE SECURITE

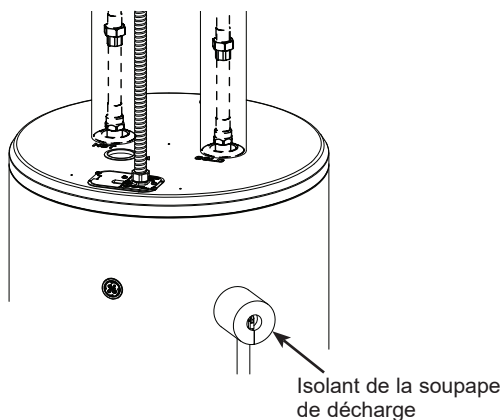
**⚠ AVERTISSEMENT** **Risque de dommage pour l'appareil - La pression nominale de la soupape de sécurité ne doit pas dépasser 150 lb/po<sup>2</sup> (1,03 kPa), la pression de fonctionnement maximale du chauffe-eau indiquée sur la plaque signalétique.**

Une nouvelle soupape de sécurité de pression et de température, conforme aux normes Relief Valves and Automatic Gas Shutoff Devices for Hot Water Supply Systems (ANSI Z21.22) est fournie. Elle doit être installée dans l'orifice prévue à cet effet sur le chauffe-eau. Aucune soupape de quelque nature que ce soit ne doit être installée entre la soupape de sécurité et le réservoir. Les codes municipaux doivent toujours régir l'installation de soupapes de sécurité.

La valeur Btu/h de la soupape de sécurité ne doit pas être inférieure à la valeur nominale d'entrée du chauffe-eau, comme ceci est inscrit sur l'étiquette à l'avant du chauffe-eau (1 watt = 3,412 Btu/h).

Branchez la sortie de la soupape de sécurité à une bonde ouverte de telle façon que l'eau évacuée ne puisse entrer en contact avec les parties électriques ou des personnes et de façon à éliminer tout dégât d'eau potentiel.

La tuyauterie utilisée doit être agréée pour la distribution d'eau chaude. Le tuyau de vidange ne doit pas être d'une dimension inférieure à la sortie de la soupape et doit être incliné vers la bonde pour assurer une vidange complète (par gravité) de la soupape et du tuyau de vidange. L'extrémité du tuyau de vidange ne doit pas être filetée ou dissimulée et doit être protégée contre le gel. Aucune soupape, restricteur ou réducteur ne doit jamais être installé sur le tuyau de vidange.



## ⚠ ATTENTION

Pour réduire les risques de pression et de température excessives dans ce chauffe-eau, installez l'équipement de protection de température et de pression exigé par les codes municipaux et, au moins, une soupape de sécurité (pression et température) certifiée par un laboratoire d'essai indépendant reconnu à l'échelle nationale et qui effectue des inspections périodiques de l'équipement ou des matériaux inscrits qui disent se conformer aux exigences relatives aux Relief Valves and Automatic Gas Shutoff Devices for Hot Water Supply Systems (ANSI Z21.22). Cette soupape doit être marquée avec une pression maximale qui ne doit pas dépasser la pression maximale de fonctionnement indiquée pour le chauffe-eau. Installez la soupape dans l'ouverture prévue à cet effet sur le chauffe-eau et orientez-la (ou ajoutez un tuyau) de manière à ce que tout liquide soit évacué par la soupape à une hauteur maximale de 6 po (15,2 cm) du plancher, et qu'il n'entre en contact avec aucune partie électrique. En aucune circonstance, l'ouverture pour l'évacuation ne doit pas être bouchée ou de taille réduite.

## REPLISSAGE DU CHAUFFE-EAU

**⚠ AVERTISSEMENT** **Risque de dommage pour l'appareil - Le réservoir doit être plein d'eau avant de mettre le chauffe-eau en marche. La garantie de chauffe-eau ne couvre pas les dommages ou défaillances résultant d'un fonctionnement avec un réservoir vide ou partiellement vide.**

Assurez-vous que le robinet de vidange est complètement fermé.

Ouvrez le robinet sur la conduite d'alimentation en eau froide.

Ouvrez chaque robinet d'eau chaude doucement pour permettre à l'air de s'évacuer du chauffe-eau et des tuyauteries.

Un débit d'eau constant du/des robinet(s) d'eau chaude indique un chauffe-eau plein.

De la condensation peut se former sur le réservoir et les raccords lors du premier remplissage d'eau. De la condensation peut aussi se former lors d'un retrait d'eau important et d'une température d'eau d'admission très froide.

Cette condition n'est pas inhabituelle et disparaîtra une fois l'eau chauffée. Si la condition persiste, examinez les raccords pour de possibles fuites ou nécessité de réparation, au besoin.

## ⚠ AVIS

Ne faites pas d'erreur de raccordements électriques. Une tension de CA de 240V ou 208V doit être appliquée aux fils L1 et L2 comme indiqué sur diagramme « boîte de jonction du chauffe-eau ».

Si un câble à 4 fils est amené au chauffe-eau, isolez (capuchon) le neutre et branchez les autres fils comme illustré.

## RACCORDEMENTS ÉLECTRIQUES

Un circuit de dérivation distinct avec des conducteurs en cuivre, un dispositif de protection contre les surtensions et des moyens appropriés pour déconnecter le chauffe-eau doivent être fournis par un électricien qualifié.

Le câblage doit être conforme aux codes et règlements municipaux ou, en leur absence, à la dernière édition du Code national de l'électricité, ANSI/NFPA 70.

Le chauffe-eau est complètement raccordé à la boîte de jonction par le dessus du chauffe-eau. Une ouverture pour un raccord électrique d'1/2 po est fournie pour les connexions à faire sur place.

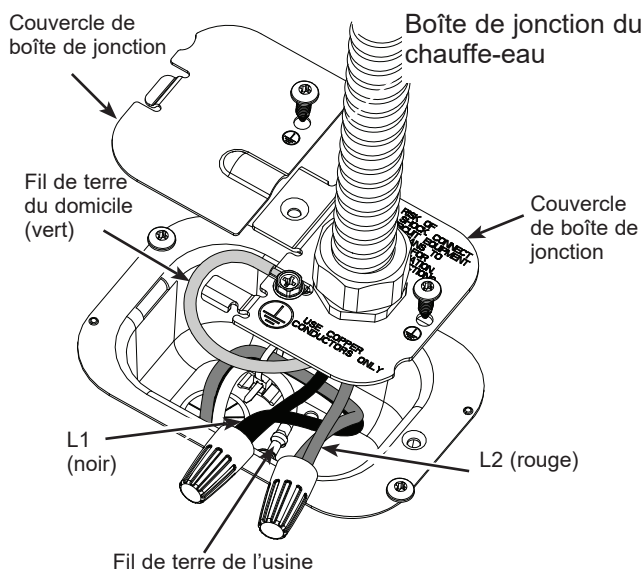
Les besoins en tension et puissance du chauffe-eau sont précisées sur l'étiquette signalétique apposée sur le devant du chauffe-eau.

### Le câblage du circuit de dérivation doit inclure:

1. Un conduit métallique ou un câble métallique gainé approuvé pour une utilisation comme conducteur de mise à la masse et installé avec des raccords adaptés à cet usage.
2. Un câble gainé non métallique, un conduit métallique ou un câble gainé métallique non approuvé pour une utilisation comme conducteur de mise à la masse doit comprendre un conducteur distinct de mise à la masse. Il doit être raccordé aux bornes de mise à la masse du chauffe-eau et à la boîte de distribution électrique.

Branchement de l'alimentation électrique au chauffe-eau:

1. Coupez l'alimentation.
2. Retirez le(s) vis maintenant le couvercle de la boîte de jonction.
3. Connectez L1 à L1, L2 à L2 et le fil de terre sur le couvercle de la boîte de jonction posée, selon l'illustration ci-dessous.
4. Réinstallez toutes les vis qui fixent les couvercles de boîte de jonction.



**⚠ AVERTISSEMENT** Risque d'incendie ou de décharge électrique. Assurez-vous que les deux couvercles de boîte de jonction et les vis de terre sont fixés solidement pour une mise à la terre correcte.

**REMARQUE :** Faites les raccordements électriques conformément aux codes ou à la dernière édition du Code national de l'électricité, ANSI/NFPA 70.

### ⚠ AVERTISSEMENT

Un bon raccordement à la terre est essentiel. La présence d'eau dans les tuyauteries et le chauffe-eau ne fournit pas une conduction suffisante pour une masse adéquate. La tuyauterie non métallique, les raccords diélectriques ou flexibles, etc., peuvent isoler électriquement le chauffe-eau. Ne déconnectez pas la mise à la terre faite en usine.

La garantie du fabricant ne couvre pas les dommages ou défauts causés par l'installation, le branchement ou l'utilisation de tout dispositifs d'économie d'énergie ou d'autres dispositifs non autorisés (autres que ceux autorisés par le fabricant) avec le chauffe-eau. L'utilisation de dispositifs d'économie d'énergie non autorisés peut réduire la durée de vie du chauffe-eau et peut mettre en danger la vie et provoquer des dommages matériels.

Le fabricant décline toute responsabilité en cas de pertes ou blessures résultant de l'utilisation de ces dispositifs non autorisés.

Si les codes municipaux exigent la pose extérieure de couvertures isolantes, les instructions du fabricant fournies avec le nécessaire d'isolation doivent être suivies à la lettre.

**La pose de tout isolant externe, de couverture ou d'isolant à tuyauterie avec ce chauffe-eau doit être effectuée en portant une attention particulière aux points suivants :**

- Ne couvrez pas la soupape de sécurité (température et pression)
- Ne couvrez pas les panneaux d'accès aux éléments chauffants.
- Ne couvrez pas la boîte de jonction du chauffe-eau.
- Ne couvrez pas les étiquettes d'utilisation ou de mise en garde apposées au chauffe-eau. N'essayez pas de les déplacer sur l'extérieur de la couverture isolante.

**REMARQUE :** Ce guide recommande un circuit de dérivation minimal basé sur le Code national de l'électricité. Reportez-vous aux schémas de câblage dans ce manuel pour les raccordements à effectuer sur place.

## GUIDE DE DIMENSIONNEMENT DE CIRCUIT DE DÉRIVATION

Puissance totale du chauffe-eau	Protection de surintensité recommandée (capacité du fusible ou du disjoncteur)	Calibre de fil de cuivre, basé sur tableau N.E.C. 310-16 (167°F/75°C)
<b>@240V</b>	<b>208-240V</b>	<b>208-240V</b>
3,000	20	12
4,000	25	10
4,500	25	10
5,000	30	10
<b>5,500</b>	<b>30</b>	<b>10</b>
6,000	35	8
8,000	45	8
9,000	50	8
10,000	–	–
11,000	–	–
12,000	–	–

# Conseils de dépannage

Économisez temps et argent! Consultez d'abord les tableaux des pages suivantes et vous pourriez vous éviter un appel de service.

**ATTENTION** Pour votre propre sécurité, N'ESSAYEZ PAS de réparer le câblage électrique, les commandes, les éléments chauffants et autres dispositifs de sécurité. Faites effectuer les réparations par un technicien qualifié.

Problème	Causes Possibles	Solution
<b> FONCTIONNEMENT ET RENDEMENT</b>		
<i>Quantité insuffisante d'eau ou pas d'eau chaude</i>	<b>La température de réglage de l'eau est peut-être trop basse.</b>	<ul style="list-style-type: none"> <li>Consultez les sections Réglage de la température de l'eau et Capacité du chauffe-eau (pages 4 et 6).</li> </ul>
	<b>La température d'entrée de l'eau peut être plus froide pendant la saison hivernale.</b>	<ul style="list-style-type: none"> <li>Ceci est normal. Une eau très froide est plus longue à réchauffer.</li> <li>Envisagez un réglage de température plus élevé, tel que décrit dans la section Réglage de la température de l'eau.</li> </ul>
	<b>Robinets d'eau chaude qui fuient ou sont ouverts.</b>	<ul style="list-style-type: none"> <li>S'assurer que tous les robinets sont fermés.</li> </ul>
	<b>Des parcours longs de tuyauterie d'eau chaude sont exposés ou sont à l'extérieur du mur.</b>	<ul style="list-style-type: none"> <li>Isoler la tuyauterie.</li> </ul>
	<b>Tube plongeur endommagé</b>	<ul style="list-style-type: none"> <li>Appelez un technicien.</li> </ul>
	<b>Un fusible est grillé, le disjoncteur est déclenché ou le service électrique du domicile est interrompu.</b>	<ul style="list-style-type: none"> <li>Remplacer le fusible ou enclencher le disjoncteur.</li> <li>Communiquer avec le fournisseur local d'électricité.</li> </ul>
	<b>Câblage inadéquat</b>	<ul style="list-style-type: none"> <li>Consultez les Instructions d'installation.</li> </ul>
	<b>Limite de réinitialisation manuelle.</b>	<ul style="list-style-type: none"> <li>Consultez la section Commandes de sécurité à la page 5.</li> </ul>
	<b>Raccords d'eau vers l'appareil inversés.</b>	<ul style="list-style-type: none"> <li>Corriger les raccords de tuyauterie.</li> </ul>
	<b>Perturbation causée par le système de recirculation (s'il est installé)</b>	<ul style="list-style-type: none"> <li>Vérifiez que le réglage du débit n'est pas trop élevé.</li> <li>Isoler la tuyauterie.</li> </ul>
<i>L'eau est trop chaude</i>	<b>Le réglage de la température est trop élevé.</b>	<ul style="list-style-type: none"> <li>Consultez la section portant sur le réglage de la température de l'eau.</li> </ul>
	<b>Défaillance de la commande électronique.</b>	<ul style="list-style-type: none"> <li>Appelez un technicien.</li> </ul>
<b>AUTRES</b>		
<b>Bruit de gargouillement</b>	<b>L'état de l'eau de votre domicile a causé une accumulation de tartre ou de dépôts minéraux sur les éléments chauffants</b>	<ul style="list-style-type: none"> <li>Retirez et nettoyez les éléments chauffants. Cela doit être effectué seulement par un technicien ou un plombier qualifiés.</li> </ul>
<b>De l'eau dégoutte sur l'extérieur du chauffe-eau</b>	<b>Les raccords d'eau chaude/froide ou d'autres pièces sont desserrés</b>	<ul style="list-style-type: none"> <li>Tighten the loose connections. This should only be done by a qualified service person or plumbing contractor.</li> </ul>
<b>Relief valve producing popping sound or draining</b>	<b>Pressure buildup caused by thermal expansion to a closed system</b>	<ul style="list-style-type: none"> <li>Serrez les raccords desserrés. Cela doit être effectué seulement par un technicien ou un plombier qualifiés.</li> </ul>
<b>La soupape de décharge émet un bruit sec ou se décharge</b>	<b>Certaines alimentations d'eau à teneur élevée en sulfate vont réagir avec la tige d'anode qui se trouve dans tous les chauffe-eau et dont le rôle est de protéger le réservoir contre la corrosion</b>	<ul style="list-style-type: none"> <li>On peut réduire ou éliminer l'odeur dans la plupart des chauffe-eau en remplaçant la tige d'anode par un modèle moins réactif. Dans certains cas, il peut être nécessaire de chlorer le chauffe-eau et toutes les conduites d'eau chaude, contactez un spécialiste ou un plombier pour les solutions. Composez le 1.800-952-5039 pour guider votre achat d'une tige d'anode de rechange. Un réparateur ou un plombier qualifiés doivent effectuer le remplacement. L'utilisation d'une tige d'anode non approuvée par GE Appliances ou du chauffe-eau avec une telle tige d'anode ANNULERA la garantie.</li> <li>Dans certains cas, augmenter la température jusqu'à 60 °C (140 °F) peut réduire ce problème. Voyez la section Réglage de la température de l'eau de ce manuel pour connaître la procédure et le risque d'échaudure. On peut installer des limiteurs de température pour réduire le risque d'échaudure.</li> </ul>



# Pièces de rechange

Pour les modèles standard contrôlés par thermostat dotés de deux éléments.

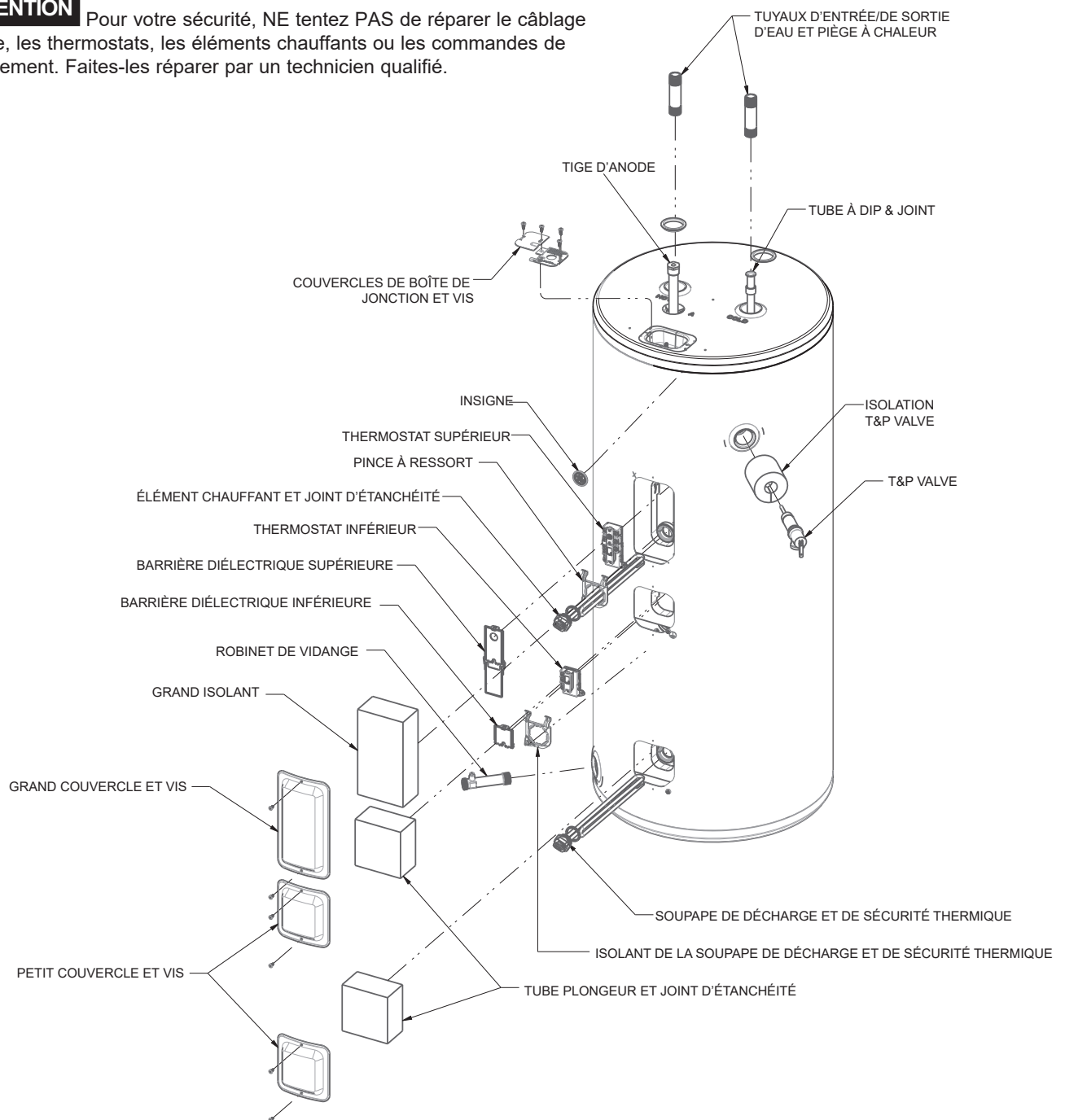
## Instructions pour passer une commande de pièces

Pour placer une commande au moyen d'une carte Visa/MasterCard ou Discover, visitez [GEApplianceparts.com](http://GEApplianceparts.com) ou composez le 877.959.8688.

Toutes les commandes de pièces doivent inclure :

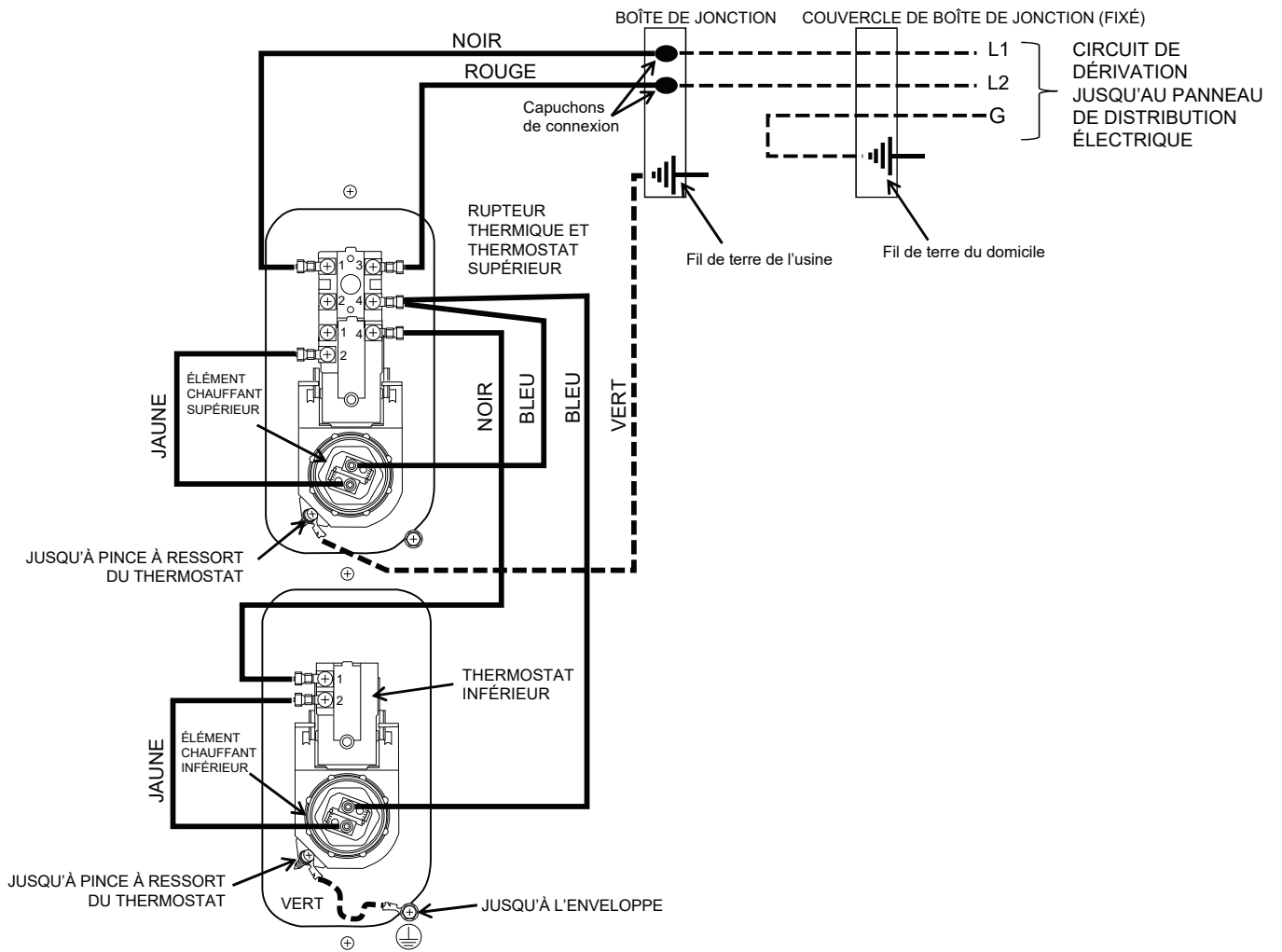
1. Le modèle et le numéro de série du chauffe-eau inscrits sur la plaque signalétique.
2. La tension (volts) et la puissance (watts) inscrits sur la plaque signalétique.
3. La description (comme indiqué ci-dessous) et le numéro des pièces désirées.

**ATTENTION** Pour votre sécurité, NE tentez PAS de réparer le câblage électrique, les thermostats, les éléments chauffants ou les commandes de fonctionnement. Faites-les réparer par un technicien qualifié.



L'aspect peut varier selon le modèle.

## Schéma de câblage



# Garantie Limitée du chauffe-eau GE Appliances

**GARANTIE LIMITÉE**

Tous les services de garantie sont fournis par nos centres de service d'usine ou par un technicien agréé Customer Care®. Pour planifier l'entretien de votre chauffe-eau GE, appelez GE Water Heaters au 1-800-943-8186. Veuillez avoir votre numéro de série et votre numéro de modèle à portée de main lorsque vous appelez le service. L'entretien de votre appareil peut nécessiter l'utilisation du port de données intégré pour les diagnostics. Cela donne au technicien de service d'usine GE Appliances la possibilité de diagnostiquer rapidement tout problème avec votre appareil et aide GE Appliances à améliorer ses produits en fournissant à GE Appliances des informations sur votre appareil. Si vous ne souhaitez pas que les données de votre appareil soient envoyées à GE Appliances, veuillez aviser votre technicien de ne pas soumettre les données à GE Appliances au moment de la maintenance.

Pour la période d':	Nous remplacerons:
<b>Un An</b> À partir de la date d'achat initiale	<i>Toute pièce du chauffe-eau spécifiée en usine qui tombe en panne en raison d'un défaut de matériaux ou de fabrication. Au cours de cette garantie limitée d'un an, nous fournirons également, gratuitement, toute la main-d'œuvre et les services connexes pour remplacer la pièce défectueuse.</i>
<b>Deuxième année jusqu'à la huitième ou dixième année</b> À partir de la date d'achat initiale	<i>Toute pièce du chauffe-eau défectueuse en raison d'un vice de matière ou de main-d'œuvre. Au cours de cette deuxième année jusqu'à la fin de la période de garantie limitée, les frais de main-d'œuvre et de services associés pour remplacer la pièce défectueuse ne sont pas inclus.</i>  *La durée de garantie est basée sur le 6e et le 7e chiffre du numéro de modèle situé sur la plaque signalétique (p.ex.: GE50T08BAM dispose d'une garantie sur pièces de 8 ans).

## Ce qui n'est pas compris:

- Les déplacements à votre domicile pour vous expliquer l'utilisation de ce produit.
- Une installation, livraison ou maintenance défectueuse.
- L'expédition et la manutention des pièces de rechange et les frais de retrait des pièces ou réservoirs défectueux après la première garantie limitée d'un an ne sont PAS couverts.
- Une panne du produit par abus d'utilisation, par mauvaise utilisation, par modification, ou s'il a été utilisé dans un but autre que celui pour lequel il a été fabriqué.
- L'utilisation de ce produit avec une eau microbiologiquement insalubre ou de qualité inconnue sans désinfection adéquate en amont ou en aval du système.
- Le remplacement des fusibles ou le réenclenchement du disjoncteur du domicile.
- Tout dommage causé par accident, par la foudre, par un incendie, par inondation ou par une catastrophe naturelle.
- Les dommages directs et indirects, causés par des défaillances possibles de l'appareil, de son installation ou de sa réparation.
- Tout produit auquel il n'est pas possible d'accéder pour effectuer les réparations nécessaires. Les installations dans un grenier nécessitent un plancher approprié et un accès par des escaliers.
- Si le produit ou un autre appareil déménagé doit être déplacé pour procéder aux réparations.
- Si le produit est retiré de son emplacement original.
- Les dommages, les dysfonctionnements ou les pannes causés par l'utilisation d'un service de réparation non approuvé par GE Appliances.
- Les dommages, les dysfonctionnements ou les pannes causés par l'utilisation de pièces ou de composants non autorisés.
- Consommation et remplacement de la tige d'anode.
- Les dommages, les dysfonctionnements ou les pannes causés par l'utilisation du chauffe-eau à thermopompe sans tige d'anode.
- Les dommages, les dysfonctionnements ou les pannes causés par l'utilisation de la thermopompe avec un réservoir vide ou partiellement vide.
- Les dommages, les dysfonctionnements ou les pannes causés par des pressions dans le réservoir supérieures à celles indiquées sur la plaque signalétique.
- Les dommages, les dysfonctionnements ou les pannes causés par l'utilisation du chauffe-eau à thermopompe avec des tensions dépassant les tensions inscrites sur la plaque signalétique
- Une défaillance du chauffe-eau en raison de l'utilisation de l'appareil dans une atmosphère corrosive.
- Si ce chauffe-eau sert à un usage autre que résidentiel et familial, la garantie ne couvrira pas la main-d'œuvre et elle sera réduite à 1 an à partir de la date d'achat pour les pièces.

**EXCLUSION DE GARANTIES IMPLICITES – Votre seul et unique recours est la réparation du produit selon les dispositions de cette Garantie limitée. Toutes les garanties implicites, incluant les garanties de commercialité et d'adéquation à un usage spécifique, sont limitées à une année ou à la période la plus courte autorisée par la législation.**

Cette garantie limitée est étendue à l'acheteur d'origine et à tout propriétaire suivant pour les produits achetés pour un usage domestique aux États-Unis. Si le produit est situé dans une zone où le service par un réparateur agréé GE Appliances n'est pas disponible, vous pouvez être responsable des frais de déplacement ou vous devrez peut-être apporter le produit à un centre de service GE Appliances agréé pour réparation. En Alaska, la garantie limitée exclut les frais d'expédition ou les appels de service à votre domicile.

Certains États ou provinces n'autorisent pas l'exclusion ou la restriction des dommages directs ou indirects. La présente garantie limitée vous donne des droits juridiques particuliers, mais vous pouvez avoir d'autres droits qui varient d'un État ou d'une province à l'autre. Pour connaître vos droits, appelez le bureau de la protection du consommateur de votre localité, de votre État ou de votre province ou le procureur général de votre État.

En cas de produit acheté en dehors des États-Unis, contacter le lieu d'achat pour des renseignements de réparation et de garantie.

Garant pour les produits achetés aux États-Unis:  
GE Appliances, a Haier company  
Louisville, KY 40225

Agrafez votre reçu ici. Une preuve de la date d'achat originale est nécessaire pour obtenir un service sous garantie.

# Soutien au consommateur

---

## Enregistrez votre électroménager

Enregistrez votre nouvel électroménager en ligne au moment qui vous convient le mieux! L'enregistrement de votre produit dans les plus brefs délais permet une meilleure communication et un service rapide en vertu de votre garantie, le cas échéant.

- Numérisez le code QR affiché sur la carte d'enregistrement du produit ou sur le produit



**REMARQUE** : Ceci n'est qu'un exemple représentant un code QR.

- Ou allez sur **GEAppliances.com/register**
  - Ou mettez à la poste la carte d'enregistrement pré-imprimée qui se trouve dans l'emballage.
- 

## Services au consommateur

Pour toute question ou besoin d'assistance concernant votre nouveau chauffe-eau relativement aux réglages, aux réparations ou à l'entretien périodique :

- Relisez les sections sur les conseils de dépannage ou l'entretien et le nettoyage de ce manuel d'utilisation.
- Contactez votre installateur, votre plombier ou appelez le service et l'assistance GE Appliances au 1-800-943-8186.

**REMARQUE** : Il se peut que le numéro de téléphone de votre installateur se trouve sur l'étiquette du produit.

Si le problème persiste, contactez le soutien à la clientèle GEA sur [GEAppliances.com/waterheater](http://GEAppliances.com/waterheater).

---

## Pièces et accessoires

Les personnes ayant les compétences requises pour réparer elles-mêmes leurs appareils peuvent recevoir directement à la maison des pièces ou des accessoires (les cartes VISA, MasterCard et Discover sont acceptées). Commandez en ligne 24 heures par jour en tout temps.

Aux États-Unis, visitez **GEApplianceparts.com**

---

## Communiquez avec nous

Communiquez avec nous

Si vous n'êtes pas satisfait du service que vous recevez, communiquez avec nous via notre site Web en fournissant tous les détails, y compris votre numéro de téléphone, ou écrivez à :

Aux États-Unis : General Manager, Customer Relations | GE Appliances, Appliance Park | Louisville, KY 40225  
**GEAppliances.com/contact**



# Residenciales Eléctricos CALENTADORES DE AGUA

**INFORMACIÓN DE SEGURIDAD** .....3

**INSTRUCCIONES DE FUNCIONAMIENTO** .....6

**CUIDADO Y LIMPIEZA** .....9

**INSTRUCCIONES DE INSTALACIÓN** .....13

**CONSEJOS PARA SOLUCIONAR PROBLEMAS** .....14

**PIEZAS DE REEMPLAZO** ..... 15

**DIAGRAMA DEL CABLEADO** . 16

**GARANTÍA LIMITADA** .....17

**SOPORTE AL CONSUMIDOR** .....18

## OWNER'S MANUAL

Modelos de control de termostato de marca GE con conexiones de agua superiores o laterales

Escriba los números de modelo y de serie aquí:

Modelo # \_\_\_\_\_

Serie # \_\_\_\_\_

Los podrá encontrar en la etiqueta de detalles técnicos en la parte frontal de su calentador de agua.



Certified to NSF/ANSI 372

Consulte [http://info.nsf.org/Certified/Lead\\_Content/](http://info.nsf.org/Certified/Lead_Content/) for specific model listing

## **GRACIAS POR HACER QUE GE APPLIANCES SEA PARTE DE SU HOGAR.**

---

Ya sea que haya crecido usando GE Appliances, o que ésta es su primera vez, nos complace tenerlo en la familia.

Sentimos orgullo por el nivel de arte, innovación y diseño de cada uno de los electrodomésticos de GE Appliances, y creemos que usted también. Entre otras cosas, el registro de su electrodoméstico asegura que podamos entregarle información importante del producto y detalles de la garantía cuando los necesite.

Registre su electrodoméstico GE ahora a través de Internet. Sitios Web y números telefónicos útiles están disponibles en la sección de Soporte para el Consumidor de este Manual del Propietario.

También puede enviar una carta en la tarjeta de inscripción preimpresa que se incluye con el material embalado.



**GE APPLIANCES**

# INFORMACIÓN IMPORTANTE DE SEGURIDAD. LEA TODAS LAS INSTRUCCIONES ANTES DE USAR.

## ⚠ ADVERTENCIA

Para su seguridad, siga las instrucciones de este manual a fin de minimizar riesgos de incendio o explosión, descargas eléctricas, o para evitar daños en su propiedad, lesiones personales o la muerte.

Asegúrese de leer y entender el Manual del Propietario en su totalidad antes de intentar instalar o usar este calentador de agua. Es posible que le ahorre tiempo y gastos. Preste especial atención a las Instrucciones de Seguridad. Si no se siguen estas advertencias, se podrán producir lesiones graves o la muerte. En caso de tener problemas para entender las instrucciones de este manual, o si desea realizar alguna pregunta, DETÉNGASE y solicite ayuda a un técnico del servicio calificado o al servicio eléctrico local.

## ⚠ ADVERTENCIA

**Riesgo de Incendio - No guarde ni use gasolina u otros vapores inflamables y líquidos cerca de éste ni de otros electrodomésticos. Mantenga los tapetes y otros materiales combustibles alejados.**

## ⚠ ADVERTENCIA

**Apague el suministro de energía del calentador de agua si éste sufrió daños físicos o una inundación.**

No utilice el calentador de agua nuevamente hasta que haya sido controlado en su totalidad por personal calificado del servicio técnico.

## Precauciones de Seguridad

**A. Apague** el suministro de energía del calentador de agua si éste sufrió un sobrecalentamiento, incendio, inundación o daño físico.

**B. No** encienda el calentador de agua a menos que esté lleno de agua.

**C. No** encienda el calentador de agua si la válvula de cierre del suministro de agua fría está cerrada.

**NOTA: Podrán ser emitidos vapores inflamables por Corrientes de aire en áreas circundantes al calentador de agua.**

**D.** En caso de existir dificultad para entender o seguir las Instrucciones de Funcionamiento o la sección de Cuidado y Limpieza, se recomienda que una persona calificada o personal del servicio técnico realicen el trabajo.

## ⚠ PRECAUCIÓN

**Riesgo de incendio** - Se puede producir gas hidrógeno en un sistema de agua caliente abastecido por este calentador de agua, el cual fue usado por un período de tiempo prolongado (generalmente dos semanas o más). ¡EL GAS HIDRÓGENO ES EXTREMADAMENTE INFLAMABLE! Para disipar dicho gas y reducir el riesgo de lesiones, se recomienda que el grifo de agua caliente quede abierto durante varios minutos en el lavabo de la cocina, antes de usar cualquier artefacto eléctrico conectado al sistema de agua caliente. Si hay hidrógeno presente, habrá un sonido atípico tal como aire que escapa a través de la tubería cuando el agua comience a circular. No fume ni encienda una llama cerca del grifo en el momento en que éste se abra.

## ⚠ PARA INSTALACIONES EN EL ESTADO DE CALIFORNIA

La Ley de California requiere que los calentadores de agua residenciales sean sujetados, apuntalados o amarrados a fin de resistir caídas o desplazamientos horizontales debido a movimientos por terremotos. Para los calentadores de agua residenciales de hasta 52 galones (236.4 L) de capacidad, se podrá acceder a un catálogo con instrucciones genéricas para sujeción en caso de terremoto en: Office of the State Architect (Oficina del Arquitecto Estatal), 400 P Street, Sacramento, CA 95814 o se puede comunicar al 916.324.5315 o solicitar la asistencia de un vendedor de calentadores de agua.

Los códigos locales aplicables siempre determinarán la instalación. Para calentadores de agua residenciales de una capacidad superior a 52 galones (236.4 L) consulte sobre procedimientos de sujeción aceptables en la jurisdicción de construcción local.

# LEA Y GUARDE ESTAS INSTRUCCIONES

# INFORMACIÓN IMPORTANTE DE SEGURIDAD LEA TODAS LAS INSTRUCCIONES ANTES DE USAR



Las temperaturas de agua superiores a 125°F pueden provocar quemaduras graves en forma instantánea o la muerte por quemaduras.

La configuración del control electrónico de temperatura normalmente aproxima la temperatura del agua de grifo. Sin embargo, ciertos factores pueden hacer que la temperatura alcance los 160°F a pesar de la configuración del control. Siempre pruebe el agua antes de bañarse o ducharse.

Los niños, los discapacitados y las personas mayores corren un riesgo mayor de sufrir una quemadura.

Consulte el manual de instrucciones antes de configurar la temperatura del calentador de agua.

Pruebe el agua antes de bañarse o ducharse.

Se encuentran disponibles válvulas limitadoras de temperatura; consulte el manual.

## AJUSTE DE LA TEMPERATURA DEL AGUA

La seguridad, la conservación de la energía y la capacidad del agua caliente son factores que se deben considerar al seleccionar la configuración de la temperatura del agua en el calentador de agua. Las temperaturas del agua superiores a 125° F pueden ocasionar quemaduras graves o la muerte por escaldadura. Asegúrese de leer y seguir las advertencias detalladas en la etiqueta que aparece a continuación. Esta etiqueta también está ubicada en el calentador de agua, cerca de la parte superior del tanque.

### Relación de Tiempo/ Temperatura en Quemaduras

Temperatura	Tiempo para Producir una Quemadura Grave
120°F (49°C)	Más de 5 minutos
125°F (52°C)	1-1/2 a 2 minutos
130°F (54°C)	Aproximadamente 30 segundos
135°F (57°C)	Aproximadamente 10 segundos
140°F (60°C)	Menos de 5 segundos
145°F (63°C)	Menos de 3 segundos
150°F (66°C)	Aproximadamente 1-1/2 segundos
155°F (68°C)	Aproximadamente 1 segundo

La tabla es cortesía de Shriners Burn Institute

El cuadro que se muestra a continuación podrá ser usado como guía para determinar la temperatura del agua apropiada para su hogar.

### PELIGRO

Existe la posibilidad de que se produzca una **QUEMADURA** con Agua Caliente si el control de temperatura del agua está configurado demasiado alto. Los hogares donde haya niños pequeños, personas incapacitadas o mayores podrán requerir una configuración del termostato de 120° F (49° C) o inferior, a fin de evitar el contacto con el agua "CALIENTE".

El termostato fue configurado en la fábrica a 120° F (49° C) a fin de reducir el riesgo de lesiones por quemaduras. Ésta es la configuración inicial de temperatura recomendada, pero podrá ser ajustada a cualquier temperatura entre 100°F y 140°F (38°C y 60°C).

### Configuraciones de Temperatura del Agua

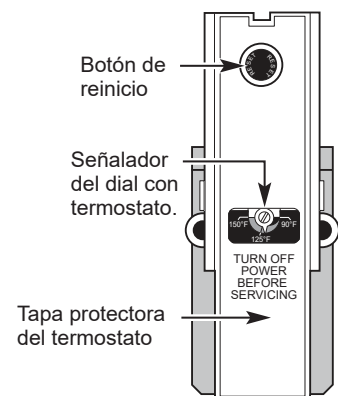
La temperatura del agua en el calentador de agua puede ser regulada configurando el dial de temperatura del termostato(s) ajustado, montado sobre la superficie, ubicado detrás del panel(es) de acceso a la cubierta. Los calentadores de dos varillas cuentan con 2 termostatos.

La ilustración muestra el dial de ajuste de temperatura usado para configurar la temperatura del agua.

Para acceder a instrucciones detalladas sobre cómo ajustar el termostato(s), consulte las Instrucciones de Uso de este Manual.

### PELIGRO

El agua más caliente incrementa el Potencial de **ESCALDADURAS** con Agua Caliente.



**LEA Y GUARDE ESTAS INSTRUCCIONES**



# INFORMACIÓN IMPORTANTE DE SEGURIDAD

## LEA TODAS LAS INSTRUCCIONES ANTES DE USAR

### CONTROLES DE SEGURIDAD

El calentador de agua está equipado con la combinación de un termostato y un control de Corte de Energía (ECO) de límite alto, que está ubicado sobre el elemento de calentamiento en contacto con la superficie del tanque. Si por alguna razón la temperatura del agua se vuelve excesivamente alta, el control de límite de temperatura (ECO) interrumpe el circuito de energía hacia el elemento de calentamiento. Una vez que el control se abra, deberá ser reiniciado de forma manual. El reinicio del control de límite alto deberá ser realizado por un técnico calificado del servicio.

**⚠ PRECAUCIÓN** La causa de la condición de temperatura alta deberá ser investigada por un técnico calificado del servicio o se deberá realizar una acción correctiva antes de volver a poner en uso el calentador de agua. Para reiniciar el control de límite de temperatura:

1. Apague la corriente del calentador de agua.
2. Retire el panel(es) de acceso y el aislante del revestimiento  
La tapa protectora del termostato deberá ser retirada.
3. Presione el botón rojo de REINICIO.
4. Reemplace el panel(es) de acceso y el aislante del revestimiento antes de encender la corriente del calentador de agua.

# Consignes d'utilisation

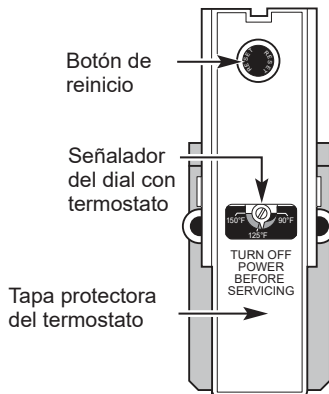
## Capacidad del Calentador de Agua e Incremento del Punto de Configuración de Temperatura:

La configuración de la temperatura del calentador de agua tiene un gran impacto sobre la cantidad de agua caliente disponible para duchas y bañeras.

- Las regulaciones de seguridad requieren una configuración de fábrica no superior a 125°F (52°C) para todos los calentadores de agua nuevos. Por lo tanto, si su calentador de agua anterior estaba configurado en una temperatura más alta que la de su nuevo calentador de agua, con una posición de ajuste configurada de fábrica de 120°F (49°C), es posible que parezca que el nuevo calentador de agua brinda menor capacidad que su calentador de agua existente. Esto puede ser corregido incrementando el punto de configuración de temperatura.
- Si se desea una mayor capacidad de agua caliente, incrementar la temperatura de 120°F a 135°F (49°C a 57°C) permitirá que el mismo tanque de agua caliente dure aproximadamente un 25% más, ya que una menor cantidad de agua fría es mezclada en la ducha o grifo.
- Incrementar el punto de configuración de la temperatura del agua podrá mejorar el rendimiento de la limpieza de los lavavajillas y las lavadoras.
- El usuario podrá ajustar la configuración de temperatura para cubrir sus necesidades. Siempre lea y entienda las instrucciones de seguridad que figuran en el manual del propietario, antes de ajustar el punto de configuración de temperatura.

### Si es necesario un ajuste...

1. Apague la corriente del calentador de agua.
2. Retire el panel(es) de acceso de la cubierta y el aislante que expone el termostato(s). La(s) tapa(s) protectora(s) del termostato no deberá ser retirada.
3. Usando un destornillador pequeño, configure el puntero(s) del dial del termostato(s) hasta la temperatura deseada. Ajuste los termostatos superior



e inferior hasta la misma temperatura, y maximice la capacidad del agua caliente.

4. Reemplace el aislante y el panel(es) de acceso a la cubierta.

Encienda la corriente del calentador de agua.

## Válvulas Mezcladoras

- Están disponibles válvulas mezcladoras para reducir la temperatura del agua en el lugar de uso, las cuales mezclan agua caliente y fría en las tuberías de agua derivadas. Para más información, comuníquese con un plomero matriculado o con la autoridad de plomería local.

## Períodos de Cierre Extendidos

Si el calentador de agua permanecerá inactivo por un período de tiempo extendido, el encendido y el agua hacia el electrodoméstico deberán ser apagados, y el calentador de agua drenado para conservar la energía y evitar la acumulación de gas hidrógeno peligroso. Esta unidad no cuenta con un botón de encendido; sólo puede ser apagada con el disyuntor o la ficha de desconexión.

El calentador de agua y la tubería deberán ser drenados en caso de que pudieran estar sujetos a temperaturas bajo cero.

Luego de un período de cierre prolongado, el funcionamiento y los controles del calentador de agua deberán ser controlados por personal calificado del servicio técnico. Asegúrese de que el calentador de agua se llene en su totalidad nuevamente antes de ponerlo en funcionamiento.

NOTA: Consulte las Precauciones sobre el Gas Hidrógeno en las Instrucciones de Funcionamiento (consulte la página 3).

# Cuidado y limpieza

## Superficies Exteriores

Lávese las manos con una tela húmeda, usando sólo agua caliente. Seque con una tela limpia y seca.

## Mantenimiento Preventivo de Rutina

### ▲ PELIGRO

**Riesgo de Escaldaduras** - Antes de utilizar manualmente la válvula de alivio, asegúrese de que nadie esté expuesto al peligro de tener contacto con el agua caliente liberada por la válvula. Es posible que el agua esté lo suficientemente caliente como para crear riesgo de escaldaduras. El agua deberá ser liberada a través de un desagüe adecuado, a fin de evitar lesiones o daños sobre la propiedad.

**NOTA:** Si la válvula de temperatura y alivio de presión del calentador de agua se descarga periódicamente, esto se podrá deber a la expansión térmica en un sistema de agua cerrado. Para saber cómo corregir esto, comuníquese con un proveedor de agua o con un contratista de plomería. No enchufe la ficha de la válvula de alivio.

Si se mantiene correctamente, el calentador de agua brindará años de servicios sin problemas. Se sugiere establecer el siguiente programa de mantenimiento anual preventivo.

1. Inspeccione la Válvula de Temperatura y Alivio de Presión
2. Inspeccione los elementos de calefacción, corte de energía (ECO), y el cableado hacia cada uno de estos.
3. Drene y descargue el tanque de calentamiento de agua.
4. La varilla del ánodo deberá ser retirada e inspeccionada.

### Válvula de Temperatura y Alivio de Presión

Una vez al año, se recomienda levantar y liberar la manija de la palanca de la válvula de temperatura y alivio de presión, ubicada en el área frontal derecha del calentador de agua, a fin de asegurar que la válvula funcione libremente. Deje que corran varios galones a través de la tubería de descarga hasta un desagüe abierto.

### Elementos de Calentamiento y Corte de Energía (ECO)

Una vez al año, se recomienda inspeccionar los elementos de calentamiento, corte de energía (ECO) y sus respectivos cableados. La inspección deberá ser completada por personal del servicio técnico calificado en la reparación de electrodomésticos eléctricos.

La mayoría de los electrodomésticos eléctricos, incluso cuando son nuevos, realizan ciertos sonidos cuando están en funcionamiento. Si el nivel de sonido de siseo o canto se incrementa de forma excesiva, es posible que se requiera una limpieza del elemento de calentamiento eléctrico. Comuníquese con un instalador o plomero calificado para que se realice una inspección.

### Drenaje y Flujo del Agua Caliente

#### ▲ PRECAUCIÓN

**Riesgo de Descarga** - Cierre el encendido del calentador de agua antes de drenar el agua.

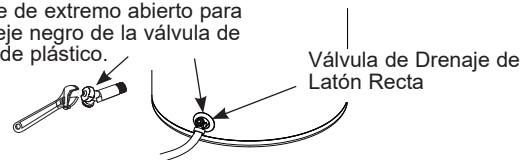
#### ▲ PELIGRO

**Riesgo de Escaldadura** - Antes de utilizar manualmente la válvula de alivio, asegúrese de que nadie esté expuesto al agua caliente liberada por la válvula. El agua drenada del tanque podrá estar lo suficientemente caliente como para presentar un riesgo de quemadura y deberá ser dirigida a un drenaje adecuado a fin de evitar lesiones o daños.

El tanque de un calentador de agua puede funcionar como un depósito de sedimentación para sólidos suspendidos en el agua. Por lo tanto, no es común que se acumulen depósitos de agua dura en el fondo del tanque. Para limpiar estos depósitos del tanque, se recomienda drenar y dejar correr agua en el tanque del calentador de agua una vez al año. Para drenar el calentador de agua, siga estos pasos:

1. Apague el encendido de la unidad. Los elementos de calentamiento eléctrico se dañarán si se utilizan sin agua.
2. Adjunte una manguera de jardín a la válvula de drenaje ubicada en la parte inferior de la unidad y dirija dicha manguera hasta el drenaje.
3. Cierre el suministro de agua fría.
4. Permita el ingreso de aire al tanque abriendo un grifo de agua caliente o levantando la manija de la válvula de alivio.
5. Abra la válvula de drenaje con un destornillador plano.

Use un destornillador de punta plana para girar la válvula de desagüe de latón o una llave ajustable de extremo abierto para girar el eje negro de la válvula de drenaje de plástico.



### Purga del Tanque:

1. Siga los pasos anteriores para drenar el calentador de agua.
2. Una vez vaciado el calentador de agua, con la válvula de drenaje abierta y la manguera de jardín conectada a la válvula de drenaje, abra el suministro de agua fría.
3. Deje que corran varios galones a través de la válvula de drenaje y de la manguera, hasta un drenaje abierto.
4. Cierre el suministro de agua y espere a que cualquier resto de agua en el tanque se drene.
5. Repita los pasos 3 y 4 hasta que no haya más agua.
6. Cierre la válvula de drenaje y llene el tanque antes de volver a encender la unidad. El tanque estará lleno cuando salga agua de un grifo abierto de agua caliente cercano.

La purga se deberá realizar con el tanque vacío, a fin de promover la eliminación adicional de sedimento.

**NOTA:** Para conocer el diseño esquemático del producto, consulte la página 14.

# Cuidado y limpieza

---

## Rutina de Mantenimiento Preventivo

### Varilla del Ánodo

Las varillas del ánodo fueron diseñadas e instaladas para proteger y extender la vida útil de los tanques de almacenamiento de aguas residenciales.

La varilla del ánodo debe ser retirada del tanque del calentador de agua e inspeccionada de forma anual, y deberá ser reemplazada cuando más de 6" (15.2 cm) de cable del centro queden expuestas en cada extremo de la varilla. El agua ablandada de forma artificial hará que la varilla del ánodo se consuma con mayor rapidez.

Debido al riesgo de descarga y a fin de evitar goteos de agua accidentales, esta inspección deberá ser realizada por un técnico calificado o plomero, y se requiere que la corriente eléctrica y el suministro de agua fría estén desconectados antes de realizar el servicio técnico de la varilla del ánodo.

**AVISO:** No retire la varilla del ánodo del tanque del calentador de agua, excepto para su inspección y/o reemplazo, ya que el funcionamiento sin la varilla del ánodo acortará la vida útil del tanque vitrificado y anulará la cobertura de la garantía.

Algunas áreas presentan condiciones de agua que pueden hacer que se genere un olor en el calentador de agua. Varillas de reemplazo de aluminio-zinc de aleación están disponibles para tratar el problema.

\* **NOTA:** No reemplazar la varilla del ánodo cuando esté consumida pone en riesgo la anulación de la garantía del tanque. La cobertura de la garantía de todos los demás componentes permanecerá intacta, y no se verá afectada por este requisito de mantenimiento. El reemplazo de la varilla del ánodo y la inspección del consumo no están cubiertos por la garantía.

# Mantenimiento y Servicio Técnico de la Varilla del Ánodo

## **⚠ PRECAUCIÓN - AVISO DE SEGURIDAD IMPORTANTE**

Se espera que esta información sea usada por individuos que posean una experiencia adecuada a nivel eléctrico, electrónico y mecánico. Cualquier intento de reparar un electrodoméstico grande podrá producir como resultado lesiones personales y daños sobre la propiedad. El fabricante o vendedor no serán responsables por la interpretación de esta información, ni asumirán cualquier responsabilidad en conexión con su uso.

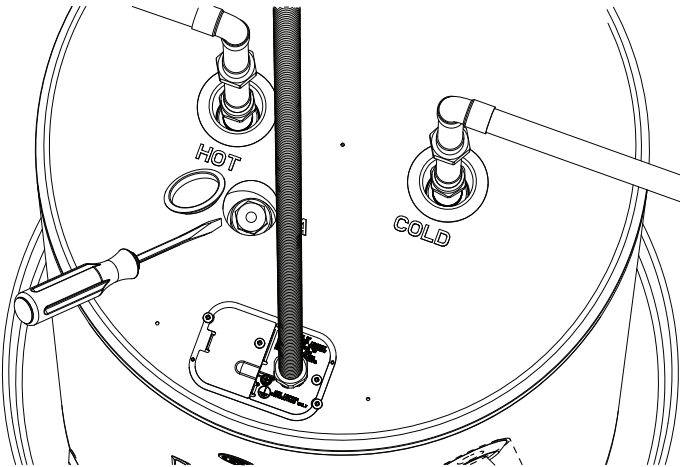
### Herramientas que necesitará:

- Destornillador Plano
- Llave de Tubo/ Dinamométrica
- Tubo de 1 1/16"
- Compuesto para Juntas de Tubería o Cinta para Sellado de Tuberías Roscadas
- Varilla del Ánodo si es necesaria

\*Para acceder a instrucciones para ordenar piezas, consulte la página 8.

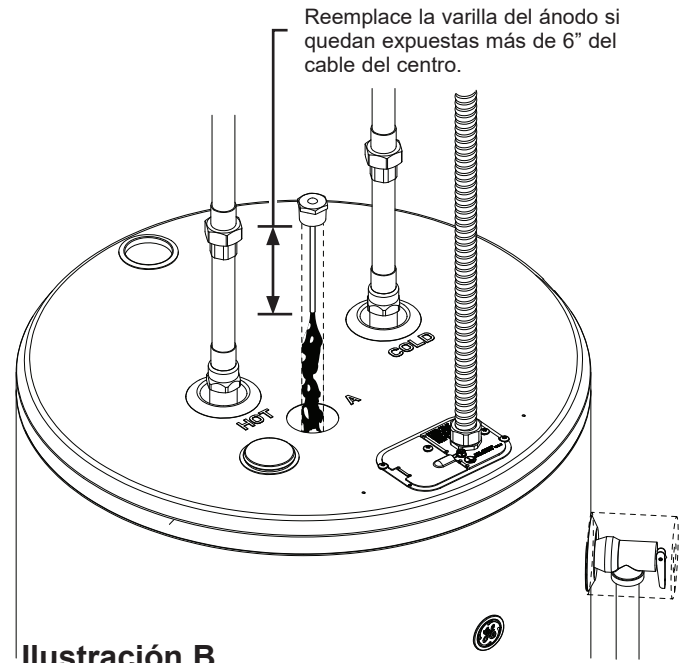
### To service the Anode Rod:

1. Desconecte la corriente, cierre el suministro de agua, y parcialmente drene uno o dos galones del calentador de agua a través de la válvula de drenaje inferior.
2. Retire la tapa del ánodo y el aislante de gomaespuma en el agujero con el destornillador de punta plana, a fin de exponer el empalme del ánodo como se muestra en la Ilustración A.



**Ilustración A**

3. Usando una llave de tubo de 1 1/6", destornille la varilla del ánodo, luego levante la misma para inspeccionar, como se muestra en la ilustración B.
4. De ser necesario, realice una inspección y reemplazo.
5. Para instalar la varilla del ánodo, selle las roscas con compuesto para juntas de tubería o sellador para tuberías roscadas, enrosque en el puerto y use una llave dinamométrica para dar un giro de  $50 \pm 5$  pies por libra.
6. Abra el suministro de agua, abra un grifo para retirar cualquier resto de aire del sistema de plomería, inspeccione que no haya pérdidas, y luego reemplace la tapa del ánodo y encienda la corriente.



**Ilustración B**

# Instrucciones de Instalación

Al elegir la ubicación del calentador de agua se deberá tener en cuenta lo siguiente:

## REGULACIONES DE INSTALACIÓN LOCALES

Este calentador de agua deberá ser instalado de acuerdo con estas instrucciones, códigos locales, códigos de servicios públicos, requisitos de la empresa de servicios públicos o, en ausencia de códigos locales, la edición más reciente del Código Nacional de Electricidad. El mismo está disponible en algunas librerías locales, o se puede adquirir a través de National Fire Prevention Association (Asociación Nacional de Prevención de Incendios), Batterymarch park, Quincy, MA 02169 en cuadernillo ANSI/NFPA 70.

## REQUISITOS DE ELECTRICIDAD

Controle las marcas en la placa de especificaciones del calentador de agua para estar seguro de que el suministro de corriente se corresponde con los requisitos del calentador de agua.

**NOTA:** Las instalaciones de 208V podrán experimentar un rendimiento inferior.

## UBICACIÓN

El calentador de agua y las líneas de agua deberían estar protegidos de las temperaturas bajo cero y atmósferas altamente corrosivas. No instale el calentador de agua en áreas al aire libre y desprotegidas.

Ubique el calentador de agua en un área seca y limpia, tan cerca como sea práctico del área de mayor demanda del calentador de agua. Las líneas de agua caliente largas y no aisladas podrán generar desperdicios de energía y agua. La unidad deberá ser instalada en una ubicación a nivel. Si se requiere, agregue cuñas bajo la base de la unidad a fin de realizar la nivelación para un funcionamiento correcto.

**NOTA:** Esta unidad fue diseñada para cualquier instalación común.

La reparación del calentador de agua requiere que la instalación se haya realizado de forma correcta de modo que los paneles frontales puedan ser retirados y permitir así inspeccionar y hacer la reparación. Este manual cuenta con instrucciones de instalación de referencia. El traslado del calentador de agua u otros electrodomésticos para realizar su servicio técnico no estará cubierto por la garantía.

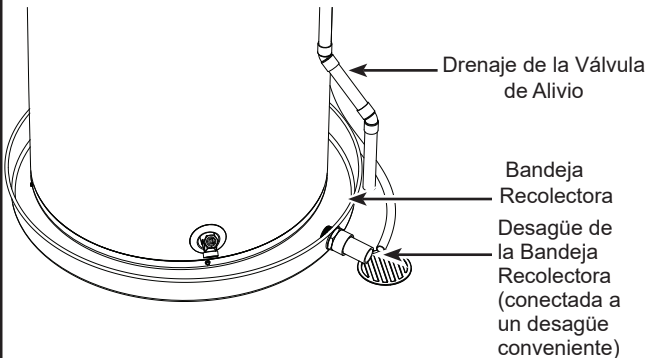
**⚠ PRECAUCIÓN** Riesgo de daño sobre la propiedad - El calentador de agua no se debería ubicar en un área donde los goteos del tanque o las conexiones resulten en daños sobre el área adyacente a éste o a pisos inferiores de la estructura. Donde dichas áreas no puedan ser evitadas, se recomienda la instalación de una bandeja de recolección, con un drenaje adecuado, debajo del calentador de agua.

## UBICACIÓN (Cont).

### Despejes requeridos:

Deberá haber suficiente espacio entre cualquier objeto y la parte superior, trasera y costados del calentador de agua, en caso de que sea necesario realizar el servicio técnico. Los controles y el drenaje en el frente de la unidad deberán tener un acceso claro para su uso y reparación. También son aceptables las instalaciones que requieran un espacio mínimo a los costados o en la parte trasera del calentador de agua para la colocación de correas en caso de terremoto. En estos casos, se deberá brindar espacio adicional del lado opuesto de la unidad para permitir el acceso a las reparaciones.

## INSTALACIÓN DE LA BANDEJA DE RECOLECCIÓN (Si se requiere)



**NOTA:** La bandeja de recolección auxiliar DEBE cumplir con los códigos locales. Los Kits de Bandejas de Recolección están disponibles en la tienda donde el calentador de agua fue adquirido, una tienda de construcción o un distribuidor de calentadores de agua. La bandeja recolectora debería ser de un mínimo de 2" (5.1 cm.) más grande que el diámetro de la base del Calentador de Agua. A fin de evitar la corrosión y mejorar el acceso a la Válvula de Drenaje, se recomienda que el calentador de agua sea ubicado en espaciadores dentro de la bandeja recolectora.

## EXPANSION TERMAL

La presencia de una válvula de retención en la línea de admisión de agua crea un «sistema cerrado». Calentar el agua en un sistema cerrado aumenta la presión porque no se puede disipar en la línea de suministro principal. Llamado «expansión térmica», el rápido aumento de la presión puede activar la válvula de seguridad (descarga de agua) durante cada ciclo de calentamiento, lo que puede provocar un fallo prematuro de la válvula o incluso del calentador de agua. El método sugerido para controlar la expansión térmica es instalar un tanque de expansión en la línea de agua fría entre el calentador de agua y la válvula de retención, como se muestra en las siguientes ilustraciones. Póngase en contacto con su instalador, proveedor de agua o inspector de plomería para obtener más información.



# Instrucciones de Instalación

## CONEXIONES DEL SUMINISTRO DE AGUA

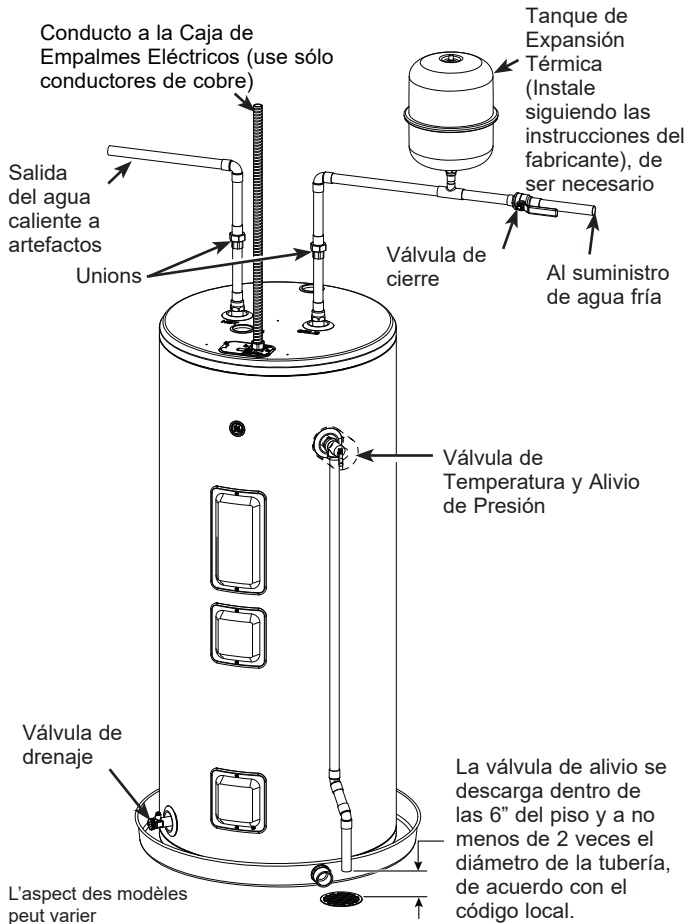
Para conocer la instalación típica sugerida, consulte la ilustración que aparece a continuación. Las conexiones de agua CALIENTE y FRÍA están claramente marcadas y son de NPT de 3/4" en todos los modelos. Al realizar la conexión a los puertos de entrada/ salida, se recomienda el uso de accesorios cónicos hembra con rosca de 3/4" con uso de sellador de roscas. Se recomienda la instalación de uniones en las conexiones de agua caliente y fría, de modo que el calentador de agua pueda ser fácilmente desconectado para realizar el servicio técnico, en caso de ser necesario. La tubería deberá ser conducida para permitir el retiro de la varilla del ánodo.

**NOTA:** Instale una válvula de cierre en la línea de agua fría cerca del calentador de agua. Esto permitirá un fácil servicio técnico y mantenimiento de la unidad en forma posterior.

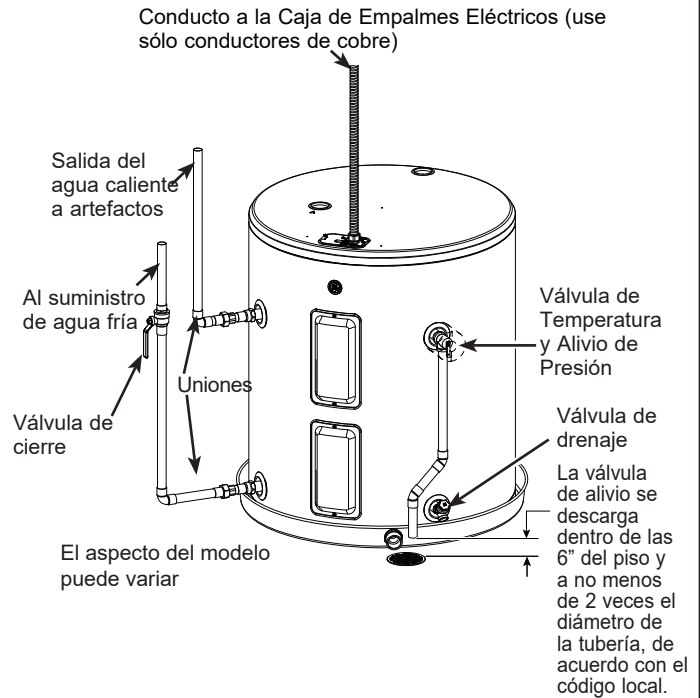
**IMPORTANTE:** No aplique calor a las conexiones de agua CALIENTE o FRÍA. Si se usan conexiones de soldadura blanda, suelde la tubería al adaptador antes de colocar el adaptador en las conexiones de agua fría del calentador. Cualquier calor aplicado a la conexión de agua caliente o fría dañará de forma permanente la línea plástica interna en estos puertos.

Instale la válvula de alivio de vacío y/o un dispositivo anti sifón cuando esto sea requerido por las jurisdicciones locales.

## INSTALACIÓN CON CONEXIÓN SUPERIOR TÍPICA



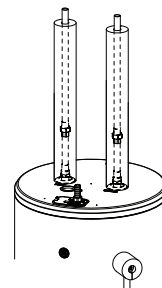
## INSTALACIÓN CON CONEXIÓN LATERAL TÍPICA (De otra forma, igual a la Instalación con Conexión Superior)



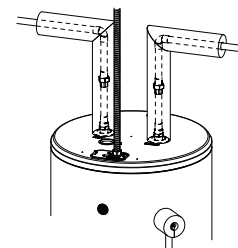
## INSTALACIÓN DEL AISLANTE DE LA TUBERÍA CALIENTE Y FRÍA (si se suministra con el producto)

Para una mayor eficiencia energética, algunos calentadores de agua fueron suministrados con secciones de aislante de tubería de 24"

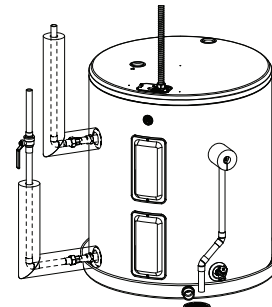
### Arreglo típico de la tubería vertical



### Arreglo típico de la tubería horizontal



### Arreglo típico de la tubería lateral



Por favor, instale el aislante, de acuerdo con las ilustraciones anteriores, que mejor coincida con sus requerimientos.

# Instrucciones de Instalación

## VÁLVULA DE ALIVIO

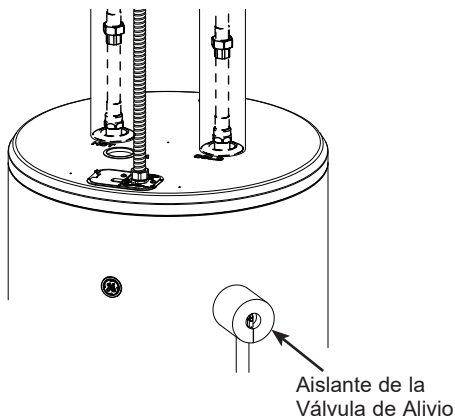
**⚠ ADVERTENCIA** **Riesgo de daño sobre la unidad - El índice de presión de la válvula de alivio no debe superar los 150 PSI (1.03 kPa), la máxima presión de funcionamiento del calentador de agua según se indica en la placa de calificación.**

Se suministra una válvula de combinación de temperatura y alivio de presión, de acuerdo con el Estándar para las Válvulas de Alivio y Dispositivos de Cierre Automático de Gas para los Sistemas de Suministro de Agua Caliente, ANSI Z21.22, y debe permanecer instalada en la apertura provista y marcada para su propósito en el calentador de agua. Ninguna válvula de ningún tipo debería ser instalada entre la válvula de alivio y el tanque. Se deberá cumplir con los códigos locales en la instalación de las válvulas de alivio.

La calificación BTUH de la válvula de alivio no deberá ser inferior a la calificación de entrada del calentador de agua, de acuerdo con lo indicado en la etiqueta de calificación ubicada en la parte frontal del calentador (1 watt = 3.412 BTUH).

Conecte la salida de la válvula de alivio a un drenaje abierto adecuado, de modo que el agua descargada no pueda tener contacto con las partes eléctricas activas o personas y para eliminar posibles daños con el agua.

La tubería usada deberá ser de un tipo aprobado para la distribución de agua caliente. La línea de descarga no deberá ser más pequeña que la salida de la válvula y se deberá inclinar hacia abajo desde la válvula, a fin de permitir un drenaje completo (por la gravedad) de la válvula de alivio y la línea de descarga. El extremo de la línea de descarga no deberá estar insertado ni oculto y debería estar protegido del congelamiento. Ninguna válvula de ningún tipo, sujeción para restricción o reducción deberán ser instaladas en la línea de descarga.



## ⚠ PRECAUCIÓN

A fin de reducir el riesgo de presiones y temperaturas excesivas en este calentador de agua, instale equipamientos protectores de temperatura y presión, requeridos por los códigos locales y no inferiores a una válvula de combinación de temperatura y alivio de presión certificados por un laboratorio de evaluación reconocido a nivel nacional que mantenga inspecciones periódicas de la producción equipamiento y materiales listados, cumpliendo con los requisitos de Válvulas de Alivio y Dispositivos de Cierre de Gas Automáticos para Sistemas de Suministro de Agua Caliente, ANSI Z21.22. Esta válvula deberá contar con una marca de presión máxima que no supere la presión de trabajo máxima del calentador de agua. Instale la válvula en una abertura provista y marcada para este propósito en el calentador de agua, y oriente la misma o brinde una tubería, de modo que cualquier descarga de la válvula salga sólo arriba de los 6 pies, o a cualquier distancia inferior, el piso estructural, y que no tenga contacto con ninguna parte eléctrica activa. La abertura de la descarga no deberá ser bloqueada ni reducida de tamaño, bajo ninguna circunstancia.

## PARA LLENAR EL CALENTADOR DE AGUA

**⚠ ADVERTENCIA** **Riesgo de daño sobre la unidad - El tanque debe estar lleno de agua antes de encender el calentador. La garantía del calentador de agua no cubre daños ni fallas como resultado de un funcionamiento con el tanque vacío o parcialmente vacío.**

Asegúrese de que la válvula de drenaje esté completamente cerrada.

Abra la válvula de cierre en la línea de suministro de agua fría.

Abra todos los grifos de agua caliente lentamente, a fin de permitir que el aire se descargue desde el calentador de agua y la tubería.

Un flujo parejo desde el grifo(s) de agua caliente indica que el calentador de agua está lleno.

Se podrá formar condensación en el tanque y en las juntas cuando se llene de agua por primera vez. La condensación también podrá ocurrir con un retiro de agua pesada y una temperatura muy fría de entrada del agua.

Este problema no es atípico y desaparecerá una vez que el agua sea calentada. Si el problema persiste, examine posibles pérdidas en las juntas y realice su reparación, según sea necesario.

## ⚠ AVISO

Evite realizar las conexiones eléctricas en forma equivocada. Se deberán aplicar 240V AC o 208AC a través de los cables L1 y L2, como se muestra en la ilustración de la "caja de unión del calentador de agua". Si no se hace esto, la garantía quedará ANULADA, y como resultado se podrán aplicar 120V al calentador de agua, lo cual podrá dañar el compresor u otros componentes eléctricos.

Si un cable con 4 conductores es suministrado al calentador de agua, cubra el neutro, y conecte los cables restantes como se muestra en la ilustración.

# Instrucciones de Instalación

## CONEXIONES ELÉCTRICAS

Un electricista calificado deberá instalar un circuito derivado individual con conductores de cobre, un dispositivo para la protección de sobrecarga y un medio adecuado de desconexión.

Todos los cableados deberán cumplir con los códigos locales o la edición más reciente del Código Nacional de Electricidad ANSI/NFPA 70.

El calentador de agua está completamente cableado a la caja de conexiones en la parte superior del calentador de agua. Se brinda una abertura de 1/2" para accesorios eléctricos para conexiones de cableados.

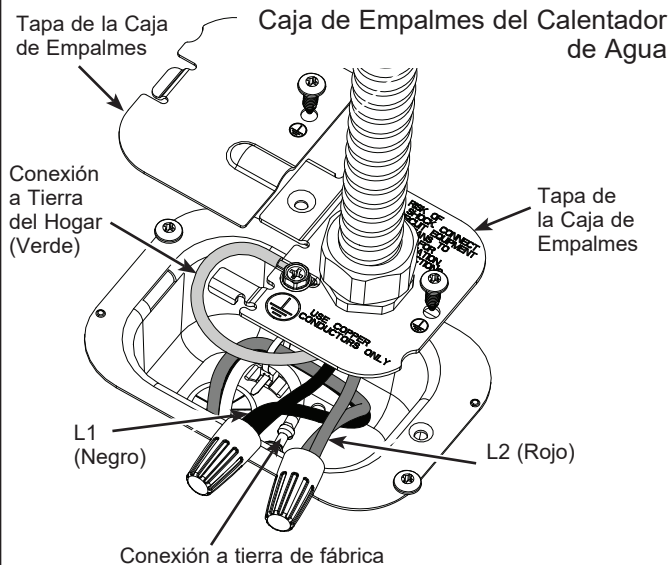
Los requisitos de carga de voltaje y vataje del calentador de agua son especificados en la etiqueta de calificación ubicada en la parte frontal del calentador de agua.

### El cableado de circuito derivado debería incluir:

1. Conducto metálico o cable metálico enfundado aprobado para su uso como conductor de conexión a tierra y ser instalado con accesorios aprobados para dicho propósito.
2. Los cables no metálicos enfundados, conductos metálicos o cables metálicos enfundados no aprobados para uso como conductor de conexión a tierra incluirán un conductor separado para la conexión a tierra. Debería estar adjunto a las terminales de conexión a tierra del calentador de agua y la caja de distribución eléctrica.

Para conectar la corriente al calentador de agua:

1. Apague la corriente.
2. Retire el tornillo/ tornillos que sostienen la tapa superior de la caja de unión.
3. Instale L1 a L1, L2 a L2 y el cable a tierra en la tapa de la caja de empalmes fijos, de acuerdo con la ilustración siguiente.
4. Vuelva a colocar todos los tornillos que adhieren las tapas de las cajas de empalmes.



**⚠ ADVERTENCIA** Riesgo de incendio y descarga eléctrica. Asegúrese de que las tapas de las cajas de empalmes y los tornillos de conexión a tierra estén ajustados de forma segura para una correcta conexión a tierra.

**NOTA:** Instale las conexiones eléctricas de acuerdo con los códigos locales o la edición más reciente del Código Nacional de Electricidad ANSI/NFPA 70.

**⚠ ADVERTENCIA** Es esencial que la conexión a tierra sea la adecuada. La presencia de agua en la tubería y el calentador de agua no brindan la conducción suficiente para la conexión a tierra. La tubería no metálica, uniones dieléctricas, conectores flexibles, etc., pueden hacer que el calentador de agua quede eléctricamente aislado. No desconecte la conexión a tierra de fábrica. La garantía del fabricante no cubre ningún daño o defecto ocasionado por la instalación, adhesión o uso de ningún tipo de ahorro de energía u otros dispositivos no aprobados (diferentes a aquellos autorizados por el fabricante) en, sobre o junto con el calentador de agua. El uso de dispositivos de ahorro de energía no autorizados pueden acortar la vida útil del calentador de agua y poner en riesgo su vida y su propiedad.

El fabricante queda eximido de toda responsabilidad por dicha pérdida o lesión resultante del uso de tales dispositivos no autorizados.

Si los códigos locales requieren la aplicación externa de kits de mantas aislantes, las instrucciones del fabricante incluidas en el kit se deberán seguir cuidadosamente.

**La aplicación de cualquier aislante externo, mantas o aislante de la tubería de agua sobre este calentador de agua requerirá especial cuidado sobre lo siguiente:**

- No cubra la válvula de temperatura y alivio de presión.
- No cubra los paneles de acceso a los elementos de calefacción.
- No cubra la caja de unión eléctrica del calentador de agua.
- No cubra las etiquetas de funcionamiento o advertencia del calentador de agua ni intente reubicar las mismas en la parte exterior de la manta aislante.
- No bloquee la entrada/ salida de aire en las tapas superiores o traseras de la unidad.

**NOTA:** En esta guía se recomienda el tamaño mínimo del circuito derivado en base al Código Nacional de Electricidad. Para las conexiones de cableados, consulte los diagramas de cableados del manual.

## GUÍA DE TAMAÑOS PARA CIRCUITOS DERIVADOS

Voltaje Total del Calentador de Agua	Protección Recomendada para Sobrecarga (calificación de amperaje de fusible o interruptor de circuitos)	Tamaño del Cable de Cobre AWG Basado en la Tabla N.E.C. 310-16 (167° F/ 75° C)
@240V	208-240V	208-240V
3,000	20	12
4,000	25	10
4,500	25	10
5,000	30	10
<b>5,500</b>	<b>30</b>	<b>10</b>
6,000	35	8
8,000	45	8
9,000	50	8
10,000	–	–
11,000	–	–
12,000	–	–

# Consejos para la Solución de Problemas

¡Ahorre tiempo y dinero!

Lea primero el cuadro que aparece a continuación y es posible que no necesite solicitar reparaciones.

**⚠ PRECAUCIÓN** Para su seguridad, **NO** intente reparar cableados eléctricos, controles, elementos de calentamiento u otros dispositivos de seguridad. Derive las reparaciones a personal calificado del servicio técnico.

Problema	Causas Posibles	Qué Hacer
<b>USO Y RENDIMIENTO</b>		
Sin suficiente agua caliente o sin agua caliente	Es posible que la temperatura del agua esté configurada demasiado baja.	<ul style="list-style-type: none"> <li>Consulte las secciones de Ajuste de Temperatura y Capacidad del Calentador de Agua. (Páginas 4 y 5)</li> </ul>
	Es posible que la temperatura del agua fría entrante sea más fría durante los meses de invierno.	<ul style="list-style-type: none"> <li>Esto es normal. Cuanto más fría sea el agua entrante, más tiempo le tomará calentarse.</li> <li>Considere incrementar la temperatura configurada como se describió en la sección de Ajuste de Temperatura del Agua.</li> </ul>
	Grifos de agua caliente que gotean o están abiertos.	<ul style="list-style-type: none"> <li>Asegúrese de que todos los grifos estén cerrados.</li> </ul>
	Largas extensiones de tubería expuesta, o tubería de agua caliente en pared externa.	<ul style="list-style-type: none"> <li>Aísle la tubería.</li> </ul>
	Tubo de inmersión dañado	<ul style="list-style-type: none"> <li>Llame al servicio técnico.</li> </ul>
	Es posible que se haya quemado un fusible, que se haya desconectado el disyuntor, o que el servicio eléctrico de su hogar haya sido interrumpido.	<ul style="list-style-type: none"> <li>Reemplace el fusible o reinicie el disyuntor.</li> <li>Comuníquese con su proveedor local del servicio eléctrico.</li> </ul>
	Cableado inadecuado	<ul style="list-style-type: none"> <li>Lea la sección de Instrucciones de Instalación.</li> </ul>
	Límite de reinicio manual (TCO).	<ul style="list-style-type: none"> <li>Consulte la sección Control de Seguridad en la página 4.</li> </ul>
	Las conexiones de agua a la unidad están invertidas.	<ul style="list-style-type: none"> <li>Conexiones de tuberías correctas.</li> </ul>
	Interferencia en el Sistema de Recirculación (si está instalado)	<ul style="list-style-type: none"> <li>Controle que la configuración del índice del flujo no esté demasiado alto.</li> <li>Aísle la tubería</li> </ul>
El agua está demasiado caliente	La configuración de la temperatura del agua es demasiado alta.	<ul style="list-style-type: none"> <li>Consulte la sección Acerca de la Configuración de la Temperatura del Agua.</li> </ul>
	El control electrónico falló.	<ul style="list-style-type: none"> <li>Llame al servicio técnico.</li> </ul>
<b>OTRO</b>		
Sonido ensordecedor	Las condiciones del agua en su hogar ocasionaron una acumulación de sarro y depósitos minerales en los elementos de calentamiento.	<ul style="list-style-type: none"> <li>Retire y limpie los elementos de calentamiento. Esto sólo deberá ser realizado por personal calificado del servicio técnico o un plomero contratista.</li> </ul>
Goteo de agua por fuera del calentador	Las conexiones de agua caliente/ fría u otras partes se aflojaron	<ul style="list-style-type: none"> <li>Ajuste las conexiones flojas. Esto sólo deberá ser realizado por personal calificado del servicio técnico o un plomero contratista.</li> </ul>
La válvula de alivio produce un chisporroteo o drenaje	Acumulación de presión ocasionada por expansión térmica hacia un sistema cerrado	<ul style="list-style-type: none"> <li>Ésta es una condición inaceptable y deberá ser corregida. Consulte la sección de Expansión Térmica en la página 12. No enchufe la ficha de la válvula de alivio. Contacte a un plomero contratista para corregir esto.</li> </ul>
El agua caliente tiene olor a huevo podrido o azufre	Ciertos suministros de agua con alto contenido de sulfato reaccionarán con la varilla del ánodo que está presente en todos los calentadores de agua para la protección del tanque contra la corrosión.	<ul style="list-style-type: none"> <li>El olor puede ser reducido o eliminado en la mayoría de los calentadores de agua, reemplazando la varilla del ánodo por un material de varilla menos activo. En algunos casos, es posible que sea necesario agregar el paso de clorar el calentador de agua y todas las tuberías de agua caliente. Para acceder a opciones e instrucciones, comuníquese con su plomero o con el profesional local en relación al agua. Comuníquese al 1.800-952-5039 para aprender a adquirir el reemplazo de esta varilla del ánodo. Personal calificado del servicio técnico o un plomero deberán realizar este reemplazo. El uso de una varilla de ánodo no aprobada por GE Appliances, o el uso del calentador de agua sin una varilla de ánodo aprobada por GE Appliances ANULARÁN la garantía.</li> <li>En ciertos casos, incrementar la temperatura del tanque a 140°F (60°C) puede reducir este problema de olor. Consulte la sección de Ajustes de Temperatura del Agua de este manual para conocer los procedimientos y evitar riesgos de escaldaduras. Se podrá usar la instalación de válvulas de límite de temperatura para reducir el riesgo de escaldaduras.</li> </ul>

# Piezas de Reemplazo

Para modelos con control de termostato estándar con elementos dobles.

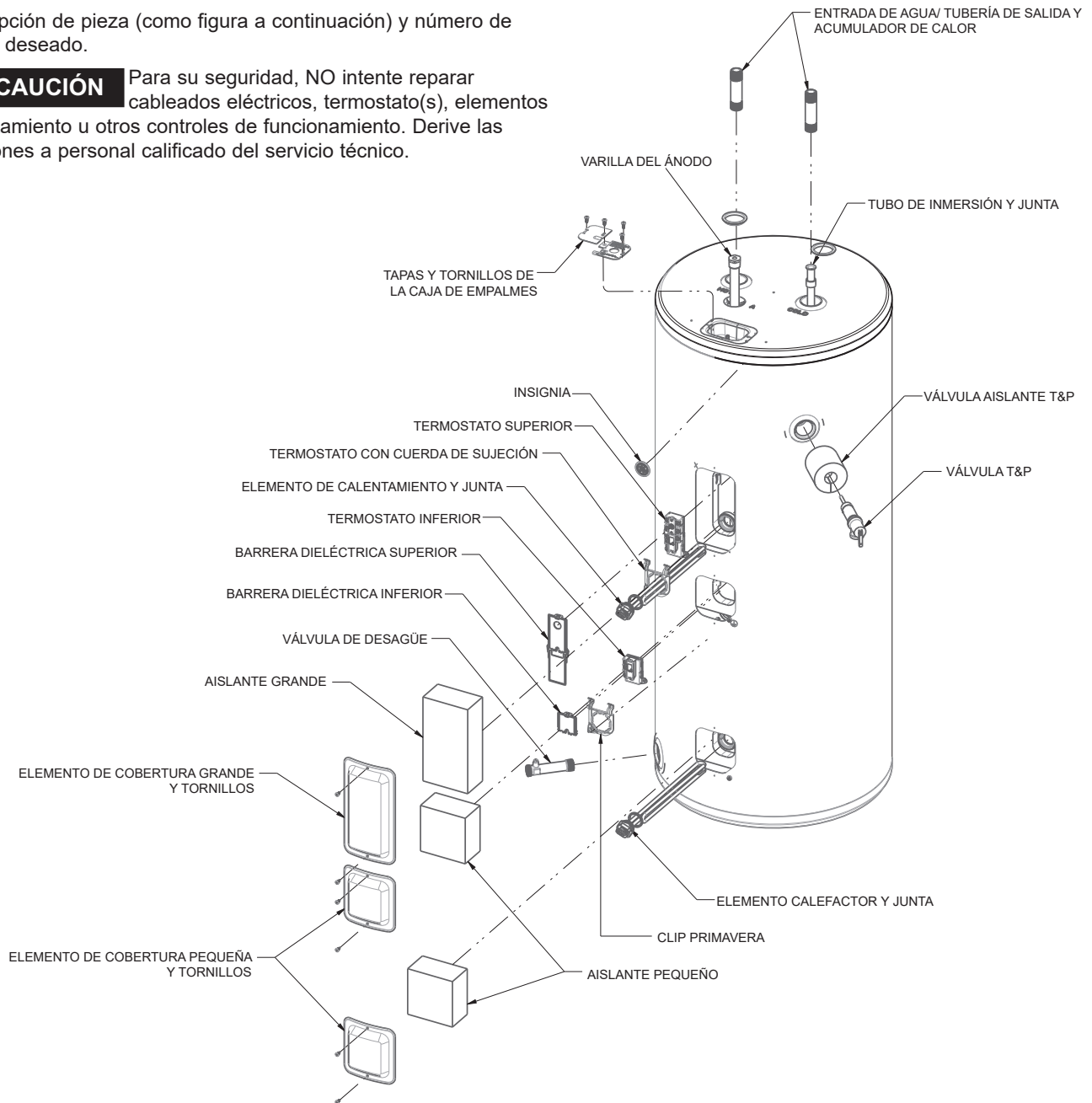
## Instrucciones para Realizar una Orden de Piezas

Para realizar órdenes usando una tarjeta Visa/MasterCard o Discover, contáctese a través de [GEApplianceparts.com](http://GEApplianceparts.com) o llame al 877.959.8688.

Todas las órdenes de piezas deberán incluir:

1. El modelo y número de serie del calentador de agua que figura en la placa de especificaciones.
2. Especifique el voltaje y la potencia en vatios que figura en la placa de especificaciones.
3. Descripción de pieza (como figura a continuación) y número de piezas deseado.

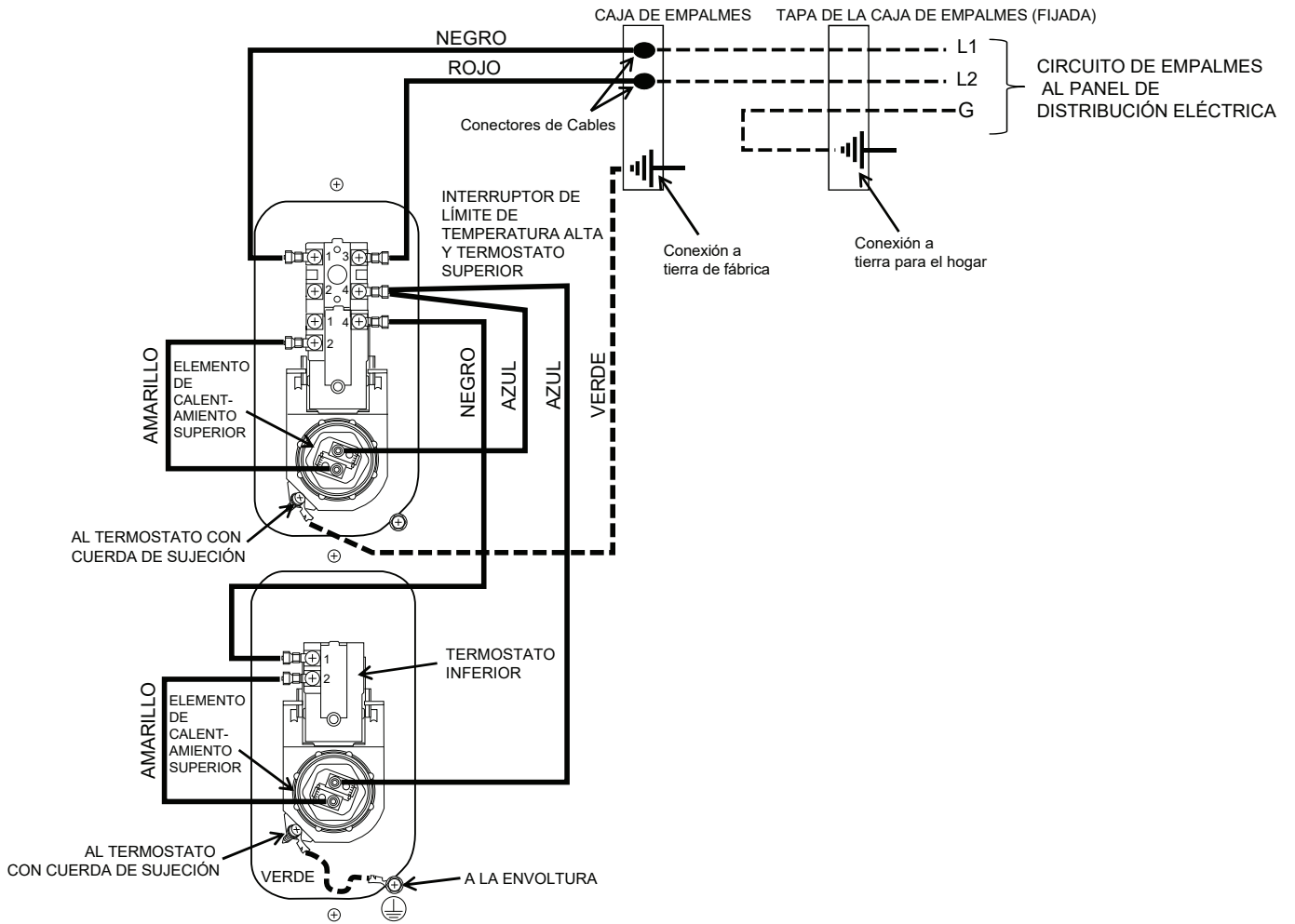
**⚠ PRECAUCIÓN** Para su seguridad, NO intente reparar cableados eléctricos, termostato(s), elementos de calentamiento u otros controles de funcionamiento. Derive las reparaciones a personal calificado del servicio técnico.



La apariencia puede variar según el modelo



# Diagrama del Cableado



# Garantía Limitada del Calentador de Agua de GE Appliances

**GARANTÍA LIMITADA**

Todo el servicio de garantía es provisto por nuestros Centros de Servicio de Fábrica o un técnico autorizado de Customer Care®. Para programar el servicio de su calentador de agua GE, llame a Calentadores de agua GE al 1-800-943-8186. Tenga a mano su número de serie y su número de modelo cuando solicite servicio técnico. El mantenimiento de su dispositivo puede requerir el uso del puerto de datos integrado para el diagnóstico. Esto le brinda al técnico de servicio de fábrica de GE Appliances la capacidad de diagnosticar rápidamente cualquier problema con su electrodoméstico y ayuda a GE Electrodomésticos a mejorar sus productos al proporcionarle información sobre su electrodoméstico. Si no desea que los datos de su dispositivo se envíen a GE Appliances, informe a su técnico que no envíe los datos a GE Appliances en el momento del servicio.

Por el Período de:	Reemplazaremos:
<b>Un Año</b> Desde la fecha de la compra original	<i>Cualquier parte especificada en la fábrica del calentador de agua que falla debido a un defecto en los materiales o la mano de obra. Durante esta garantía limitada de un año, también proporcionaremos, sin cargo, toda la mano de obra y servicios relacionados para reemplazar la pieza defectuosa.</i>
<b>Del Segundo al Octavo o Décimo Año</b> Desde la fecha de la compra original	<i>Cualquier parte del Calentador de Agua que falle debido a un defecto en los materiales o la fabricación. Durante este período desde el segundo hasta el último año de garantía, no se incluirá el trabajo y el servicio relacionado para reemplazar la pieza defectuosa.</i>  <i>*La garantía está basada en el 6to y 7mo dígito del número de modelo ubicado en la placa de especificaciones (es decir: GE50T08BAM posee una garantía de piezas de 8 años).</i>

## Qué No Está Cubierto:

- Viajes del técnico del servicio a su hogar para enseñarle sobre cómo usar el producto.
- Instalación, entrega o mantenimiento inadecuados.
- El envío y la manipulación de piezas de repuesto y el costo de retirar la parte defectuosa o el tanque después del primer año de garantía limitada NO están cubiertos.
- Fallas del producto en caso de abuso, mal uso, alteración, o uso para propósitos diferentes al original.
- Uso de este producto donde el agua que no sea microbiológicamente segura o sea de calidad desconocida sin una desinfección adecuada, antes o después, del sistema.
- Reemplazo de fusibles de la casa o reinicio de disyuntores.
- Daño ocasionados sobre el producto por accidente, rayos, incendio, inundaciones o catástrofes naturales.
- Daño consecuentes o incidentales causados por posibles defectos sobre este producto, su instalación o reparación.
- Producto no accesible para brindar el servicio requerido de un modo seguro. La instalación en desvanes deberá contar con pisos y escaleras accesibles.
- Si el producto es retirado de su ubicación de instalación original.
- Si el producto u otro electrodoméstico deben ser trasladados para acceder al servicio técnico.
- Daño, funcionamiento inadecuado o fallas ocasionadas por el uso de servicios de reparación no aprobados por GE Appliances.
- Daño, funcionamiento inadecuado o fallas ocasionadas por el uso de piezas o componentes no aprobados.
- Daño, funcionamiento inadecuado o fallas ocasionadas por uso de la bomba de calentamiento del calentador de agua sin la varilla del ánodo.
- Consumo y reemplazo de la varilla del ánodo.
- Daño, funcionamiento inadecuado o fallas como resultado de uso de la bomba de calentamiento con el tanque vacío o parcialmente vacío.
- Daño, funcionamiento inadecuado o fallas ocasionadas por usar el tanque bajo presión superior a aquella mostrada en la etiqueta de calificación.
- Daño, funcionamiento inadecuado o fallas ocasionadas por usar la bomba de agua del calentador de agua con voltaje eléctrico fuera del rango de voltaje que figura en la etiqueta de calificación.
- Falla del calentador de agua debido a que éste fue usado en un ambiente corrosivo.
- Si este calentador de agua es usado con una finalidad distinta al uso residencial familiar y privado, el trabajo no será cubierto por la garantía, y la garantía de las piezas será reducida a 1 año desde la fecha de compra.

**EXCLUSIÓN DE GARANTÍAS IMPLÍCITAS—Su única y exclusiva alternativa es la reparación del producto, como se indica en la Garantía Limitada. Las garantías implícitas, incluyendo garantías implícitas de comerciabilidad o conveniencia sobre un propósito particular, se limitan a un año o al período más corto permitido por la ley.**

Esta garantía limitada se extiende al comprador original y a cualquier propietario posterior de productos comprados para uso doméstico dentro de los EE. UU. Si el producto se encuentra en un área donde no está disponible el servicio de un Servicio Técnico Autorizado de GE Appliances, usted puede ser responsable de un cargo por viaje o se le puede pedir que lleve el producto a una ubicación de Servicio Autorizado de GE Appliances para su reparación. En Alaska, la garantía limitada excluye el costo de envío o llamadas de servicio a su hogar.

Algunos estados no permiten la exclusión o limitación de daños fortuitos o consecuentes. Esta garantía limitada le da derechos legales específicos y es posible que tenga otros derechos legales que varían entre un estado y otro. Para conocer cuáles son sus derechos legales, consulte a la oficina de asuntos del consumidor local o estatal o al Fiscal de su Estado.

**Para obtener información sobre Garantía y Servicios de productos adquiridos fuera de EE.UU., comuníquese con su vendedor minorista.**

Garante de Productos Adquiridos en Estados Unidos:  
GE Appliances, a Haier company  
Louisville, KY 40225

Abroche su recibo aquí. Para acceder al servicio técnico de acuerdo con la garantía, deberá contar con la prueba de la fecha original de compra.



# Soporte para el Consumidor

---

## Registre su Electrodoméstico

¡Registre su electrodoméstico nuevo a través de Internet, según su conveniencia! Un registro puntual de su producto permitirá una mejor comunicación y un servicio más puntual de acuerdo con los términos de su garantía, en caso de surgir la necesidad.

- Escanee el Código QR en la tarjeta de registro del producto, o en el producto.



**NOTA:** Esto es sólo un ejemplo de lo que representa un código QR.

- O visite **GEAppliances.com/register**.
  - O envíe por correo su tarjeta de registro preimpresa, incluida en el material de embalaje.
- 

## Servicio al Consumidor

Si desea realizar una consulta o necesita asistencia con su nuevo calentador de agua en relación a ajustes, reparaciones o mantenimiento de rutina:

- Revise las secciones de Consejos para la Solución de Problemas o Cuidado y Limpieza de este Manual del Propietario.
- Comuníquese con su instalador local, plomero contratista, o llame al Servicio y soporte de GE Appliances al 1-800-943-8186.

**NOTA:** Podrá encontrar el número de teléfono de su instalador en la etiqueta del producto.

Si aún tiene problemas, comuníquese con el Soporte al Cliente de GE Appliances en **GEAppliances.com/waterheater**

---

## Piezas y Accesorios

Aquellos individuos calificados para realizar el servicio técnico de sus propios electrodomésticos pueden solicitar el envío de piezas y accesorios directamente a sus hogares. (Se aceptan las tarjetas VISA, MasterCard y Discover). Ordene a través de Internet las 24 horas del día.

**En EE.UU., visite [GEAppliances.com](http://GEAppliances.com).**

---

## Contáctenos

Si no se encuentra satisfecho con el servicio que recibió, comuníquese con nosotros a través de nuestro sitio Web con todos los detalles, incluyendo su número telefónico, o escriba a:

En EE.UU.: General Manager, Customer Relations |GE Appliances, Appliance Park |Louisville, KY 40225

**[GEAppliances.com/contact](http://GEAppliances.com/contact)**