



WASHERS

SAFETY INFORMATION 3

USING THE WASHER

Getting Started 5

Loading 11

CARE AND CLEANING12

INSTALLATION INSTRUCTIONS 14

TROUBLESHOOTING TIPS.....19

LIMITED WARRANTY23

CONSUMER SUPPORT 24

OWNER'S MANUAL & INSTALLATION INSTRUCTIONS

GFW148

ENGLISH/FRANÇAIS/ESPAÑOL

Write the model and serial numbers here:

Model # _____

Serial # _____

You can find them on a label inside the door.

THANK YOU FOR MAKING GE APPLIANCES A PART OF YOUR HOME.

Whether you grew up with GE Appliances, or this is your first, we're happy to have you in the family.

We take pride in the craftsmanship, innovation and design that goes into every GE Appliances product, and we think you will too. Among other things, registration of your appliance ensures that we can deliver important product information and warranty details when you need them.

Register your GE appliance now online. Helpful websites and phone numbers are available in the Consumer Support section of this Owner's Manual. You may also mail in the pre-printed registration card included in the packing material.



GE APPLIANCES

IMPORTANT SAFETY INFORMATION

READ ALL INSTRUCTIONS BEFORE USING THE APPLIANCE

▲ WARNING

To reduce the risk of death, fire, explosion, electric shock, or injury to persons when using your appliance, follow basic precautions, including the following:

- Read all instructions before using the appliance.
- Follow all fabric care instructions and warnings to prevent melting of garments or damage to the appliance.
- **DO NOT** wash or dry articles that have been previously cleaned in, washed in, soaked in or spotted with gasoline, dry-cleaning solvents, or other flammable or explosive substances, as they give off vapors that could ignite or explode.
- **DO NOT** add gasoline, dry-cleaning solvents, or other flammable or explosive substances to the wash water. These substances give off vapors that could ignite or explode.
- Under certain conditions, hydrogen gas may be produced in a hot-water system that has not been used for 2 weeks or more. **HYDROGEN GAS IS EXPLOSIVE.** If the hot water system has not been used for such a period, before using a washing machine, turn on all hot-water faucets and let the water flow from each for several minutes. This will release any accumulated hydrogen gas. As the gas is flammable, **DO NOT** smoke or use an open flame during this time.
- **DO NOT** allow children to play on or in this appliance. Close supervision of children is necessary when this appliance is used near children. Before the washer is removed from service or discarded, remove the door or lid. Failure to follow these instructions may result in death or injury to persons.
- **DO NOT** reach into the appliance if the tub or agitator is moving to prevent accidental entanglement.
- **DO NOT** install or store this appliance where it will be exposed to the weather.
- **DO NOT** tamper with controls, repair or replace any part of this appliance or attempt any servicing unless specifically recommended in the user maintenance instructions or in published user repair instructions that you understand and have the skills to carry out.
- **DO NOT** climb or stand on this unit.
- **DO NOT** operate this appliance if it is damaged, malfunctioning, partially disassembled, or has missing or broken parts including a damaged cord or plug.
- Unplug the appliance or turn off the circuit breaker before servicing. Pressing the **Power** button **DOES NOT** disconnect power.
- See "ELECTRICAL REQUIREMENTS" located in the Installation Instructions for grounding instructions.

READ AND SAVE THESE INSTRUCTIONS

IMPORTANT SAFETY INFORMATION

READ ALL INSTRUCTIONS BEFORE USING THE APPLIANCE

PROPER INSTALLATION

This washer must be properly installed and located in accordance with the Installation Instructions before it is used.

- Ensure that the hot water hose is connected to the “H” valve and the cold water hose is connected to the “C” valve.
- Install or store where it will not be exposed to temperatures below freezing or exposed to the weather, which could cause permanent damage and invalidate the warranty.
- Properly ground washer to conform with all governing codes and ordinances. Follow details in the Installation Instructions.
- Ensure washer is properly leveled and washer legs are adjusted such that unit is stable.
- Optional drain hose extension recommended for discharging heights from 60” - 96”.
- GE Appliances strongly recommends the use of factory specified parts. A list of factory hoses available for purchase are listed. These hoses are manufactured and tested to meet GE Appliances specifications.
- GE Appliances strongly recommends the use of new water supply hoses. Hoses degrade over time and need to be replaced every 5 years to reduce the risk of hose failures and water damage.

WHEN NOT IN USE

- Turn off water faucets to minimize leakage if a break or rupture should occur. Check the condition of the fill hoses; GE Appliances recommends changing the hoses every 5 years.

PARTS AND ACCESSORIES

Order on-line at GEApplianceparts.com today, 24 hours a day or by phone at 877.959.8688 during normal business hours. In Canada, visit your local GE Appliances parts distributor or call 800.661.1616 or GEAppliances.ca/en/products/parts-filters-accessories.

Part Number	Accessory
PM14X10002	4 ft rubber water supply hoses
Or	
PM14X10005	4 ft braided water supply hoses
WX10X10011	Tide® Washing Machine Cleaner*
PM7X1	Washer Floor Tray

*Tide® is a registered trademark of Procter & Gamble

READ AND SAVE THESE INSTRUCTIONS

Getting started

⚠ WARNING To reduce the risk of fire, electric shock, or injury to persons, read the **IMPORTANT SAFETY INFORMATION** before operating this appliance.

Throughout this manual, features and appearance may vary from your model.

Step 1

(Appearance will vary)



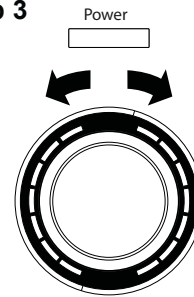
- Add fabric softener to the fabric softener dispenser; see page 10.
- Add the manufacturer's recommended amount of detergent. GE Appliances recommends the use of High Efficiency detergents such as in your energy efficient washer. Place detergent pods in the bottom of the wash basket before adding clothes.

Step 2



- Loosely add items. Overloading may negatively impact wash performance. See page 11 for suggested loading examples.
 - Close door.
- NOTE:** Washer will not start with door open.

Step 3



- If the screen is dark, press the Power button to "wake up" the display.
- Select a wash cycle. (Defaults are set for each wash cycle. These default settings can be changed. See Control settings for more information.)

Step 4



- Press the Start/Pause button.

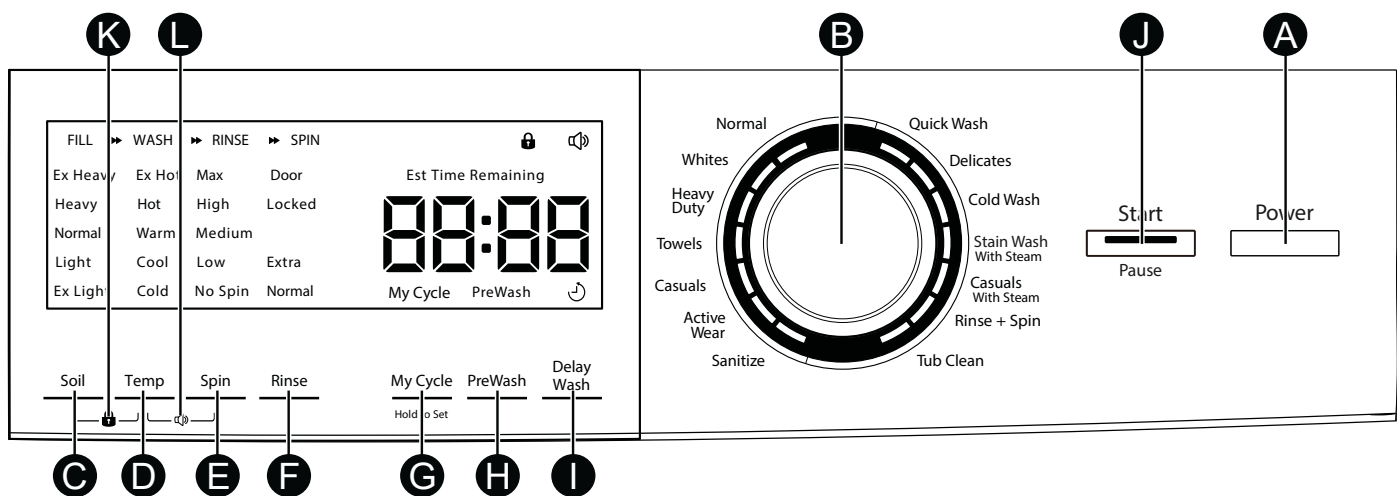
Display and Status Lights

The display shows cycle status (FILL ► WASH ► RINSE ► SPIN), the **Estimated Time Remaining** until the end of the cycle and the options selected. In addition, the display will show:

	Controls locked on.
	End of cycle signal on.
	Indicates Delay Wash set time is selected.

NOTE: If an out-of-balance condition is detected by the washer, the **SPIN** light will blink during the remaining portion of the cycle and will stay illuminated for a short time after cycle completion. When this occurs, the washer is taking actions to correct the out-of-balance condition and complete the cycle normally. In some cases, the washer may not be able to balance the load and spin up to full speed. If you notice the load is more wet than usual at the end of the cycle, redistribute the load evenly in the wash tub and run a drain and spin cycle. Select **Rinse+Spin** cycle and select no rinse by pressing **Rinse** until both **Extra** and **Normal** lights turn off.

Controls



A Power

Press to "wake up" the display. If the display is active, press to put the washer into standby mode.

NOTE: Pressing **Power** does not disconnect the appliance from the power supply.

Getting started

B Wash Cycles

The wash cycles are optimized for specific types of wash loads. The chart below will help you match the wash setting with the loads. The Gentle Wash™ lifters lightly tumble the clothes into the water and detergent solution to clean the load.

Items to Wash	Cycle	Soil Level	Wash Temp	Spin Selection	Options Available	Cycle Details
Cycle for normal, regular, or typical use for washing up to a full load of normally soiled cotton clothing.	Normal	Ex. Heavy Heavy Normal Light Ex. Light	Extra Hot Hot Warm Cool Cold	Max High Medium No Spin	Prewash Extra Rinse Delay Wash My Cycle	Cycle for normal, regular, or typical use for washing up to a full load of normally soiled cotton clothing. Choose the Heavy or Extra Heavy soil level selection and Warm or Hot water temperature selection as appropriate for your clothes load for a higher degree of cleaning.
Whites and household linens.	Whites	Ex. Heavy Heavy Normal Light Ex. Light	Extra Hot Hot Warm Cool Cold	Max High Medium Low No Spin	Prewash Extra Rinse Delay Wash My Cycle	Cycle tailored to clean and brighten your whites.
Towels, sheets, pillowcases and dish rags.	Towels	Ex. Heavy Heavy Normal Light Ex. Light	Extra Hot Hot Warm Cool Cold	Max High Medium Low No Spin	Prewash Extra Rinse Delay Wash My Cycle	Cycle designed for washing towels, sheets, pillowcases and dish rags. It is recommended that towels and sheets be washed separately for best care and washing performance.
Sturdy fabrics with heavy to medium soil.	Heavy Duty	Ex. Heavy Heavy Normal Light Ex. Light	Extra Hot Hot Warm Cool Cold	Max High Medium Low No Spin	Prewash Extra Rinse Delay Wash My Cycle	Incorporates multi-step wash and soak periods combined with extended wash periods to effectively clean heavily to medium soiled sturdy fabrics.
Casual clothes, lightly soiled office wear.	Casuals	Ex. Heavy Heavy Normal Light Ex. Light	Extra Hot Hot Warm Cool Cold	Max High Medium Low No Spin	Prewash Extra Rinse Delay Wash My Cycle	Wash cycle tailored to care for casual clothes and office wear items.
Medium to lightly soiled athletic wear items of technical or synthetic fabrics.	Active Wear	Ex. Heavy Heavy Normal Light Ex. Light	Extra Hot Hot Warm Cool Cold	Max High Medium Low No Spin	Prewash Extra Rinse Delay Wash My Cycle	Cycle designed for care of medium to lightly soiled active wear, athletic wear and technical fabrics.
Heavily soiled colorfast items with the need for sanitization.	Sanitize	Ex. Heavy Heavy Normal	Extra Hot	Max High Medium Low No Spin	Prewash Extra Rinse Delay Wash My Cycle	Use this cycle to eliminate 99.9% of bacteria from fabrics. Cycle uses an increased water temperature and a longer wash cycle to provide the sanitization benefit. A longer rinse is incorporated to remove contaminants. For best results, select the Extra Heavy soil selection if available. See NOTE below.
Lingerie and special care fabrics with light soil.	Delicates	Ex. Heavy Heavy Normal Light Ex. Light	Warm Cool Cold	High Medium Low No Spin	Prewash Extra Rinse Delay Wash My Cycle	For lightly soiled items labeled hand-washable. Provides gentle tumbling and soak during wash and rinse.

Getting started

B Wash Cycles - Continued

Items to Wash	Cycle	Soil Level	Wash Temp	Spin Selection	Options Available	Cycle Details
Small loads of lightly soiled items that are needed in a hurry.	Quick Wash	Ex. Heavy Heavy Normal Light Ex. Light	Hot Warm Cool Cold	Max High Medium Low No Spin	Prewash Extra Rinse Delay Wash My Cycle	For cleaning lightly soiled loads in the fastest time possible. Cycle time is approximately 33 minutes, depending on selected options.
Cycle for washing a full load of normally soiled cotton clothing in cold water.	Cold Wash	Ex. Heavy Heavy Normal Light Ex. Light	Cool Cold	Max High Medium Low No Spin	Prewash Extra Rinse Delay Wash My Cycle	Cycle for washing a full load of normally soiled cotton clothing in cold water. This cycle uses cold water only and extends the wash time to get clothes clean.
Cycle for heavily soiled colorfast laundry	Stain Wash with Steam	Ex. Heavy Heavy Normal Light Ex. Light	Extra Hot Hot Warm Cool Cold	Max High Medium Low No Spin	Prewash Extra Rinse Delay Wash My Cycle	Add steam to the washer to assist with stain removal for heavily soiled colorfast laundry.
Cycle for heavily soiled casuals laundry	Casuals with Steam	Ex. Heavy Heavy Normal Light Ex. Light	Extra Hot Hot Warm Cool Cold	Max High Medium Low No Spin	Prewash Extra Rinse Delay Wash My Cycle	Add steam to the washer to assist with stain removal for heavily soiled casual clothes and office wear items.
For items that need only to be rinsed, use this cycle.	Rinse + Spin			Max High Medium Low No Spin	Prewash Extra Rinse Delay Wash My Cycle	To quickly rinse and spin out any items at any time. Utilizes a high speed spin to extract water from wet items. To achieve a drain and spin, deselect the Extra Rinse option. This cycle will dispense prewash detergent and fabric softener.
Cleaning the tub of residue and odor. No clothes to be washed using this cycle.	Tub Clean					Recommended use of at least once per month to clean the basket of residue and odor. Never load laundry when using this cycle; laundry may become damaged. Cycle incorporates a hot extended wash, intense agitation action and a flush out of the pump.

NOTE: The **Sanitize** cycle water temperatures CANNOT be changed. The **Sanitize** cycle is certified by NSF International, an independent third party testing and certification organization.

The **Sanitize** certification verifies that the cycle reduced 99.9% of bacteria typically found in residential laundry and that no significant contamination is transferred to subsequent washer loads. Only the **Sanitize** cycle has been designed to meet the requirements of NSF Protocol P172 for sanitizing effectiveness.



NSF Protocol P172
Sanitization Performance of Residential and Commercial, Family-Sized Clothes Washers

C Soil

Changing the **Soil** level increases or decreases the wash time to remove different amounts of soil.

To change the **Soil** level, press the **Soil** level button until you have reached the desired setting. You can choose between Extra Light, Light, Normal, Heavy or Extra Heavy soil.

Getting started

D Temp

Temp

Adjust to select the proper water temperature for the wash cycle. The rinse water is always cold to help reduce energy usage and reduce setting of stains and wrinkles.

Follow the fabric manufacturer's care label when selecting the wash temperature.

To change the wash temperature, press the **Temp** button until you have reached the desired setting. You can choose between Cold, Cool, Warm, Hot or Extra Hot.

E Spin

Spin

Changing the **Spin** setting changes the final spin speed of the cycles. Always follow the garment manufacturer's care label when changing the **Spin** setting.

To change the **Spin** setting, press the **Spin** setting button until you have reached the desired setting. You can choose between No Spin, Low, Medium, High or Max. Higher spin speeds are not available on certain cycles, such as Delicates.

Higher spin speeds remove more water from the clothes and will help reduce dry time, but may also increase the possibility of setting wrinkles on some fabrics.

F Rinse

Rinse

Changing **Rinse** will change the number of rinses the cycle will use. To change the rinse option, press **Rinse** until you have reached the desired setting. You can choose between Normal, Extra and no rinse. In order to select no rinse, press the **Rinse** button until no lights are lit in the rinse window.

On **Rinse+Spin** cycle, a drain and spin cycle can be achieved by selecting no rinse.

G My Cycle

Hold to Set

My Cycle

To save a favorite cycle, set the desired settings for wash cycle, soil level, spin speed and wash temp settings and hold down the **My Cycle** button for 3 seconds. A beep will sound to indicate the cycle has been saved.

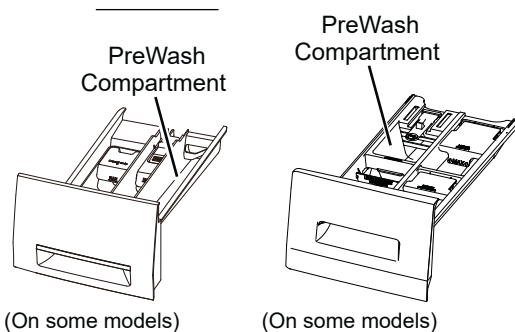
To use your custom cycle, press the **My Cycle** button before washing a load.

To change the saved cycle, set the desired settings and hold down the **My Cycle** button for 3 seconds.

NOTE: When using **My Cycle**, wash options cannot be modified after the cycle has been started.

NOTE: If you change wash options with **My Cycle** before starting the cycle, the **My Cycle** light will turn off and you will be returned to the base cycle.

H PreWash



PreWash

Prewash is an extra wash before the main wash. Use it for heavily soiled clothes or for clothes with a care label that recommends prewashing before washing. Be sure to add liquid or powder high-efficiency detergent, or the proper wash additive to the prewash dispenser.

The **PreWash** feature will fill the washer with water (adding the prewash detergent), tumble the clothes, drain and spin. Then the washer will run the selected wash cycle.

NOTE: The **PreWash** is not selected automatically and must be selected before starting the cycle.

Getting started



Delay Wash

Use to delay the start of your washer.

1. Choose your wash cycle and any options.
2. Press **Delay Wash** button. You can change the delay time in 1-hour increments (up to 24 hours) each time you press the **Delay Wash** button. Stop pressing the button when your desired time is displayed.
3. Press the **Start/Pause** button to start the countdown.

The countdown time will be shown in the **Est Time Remaining** (Estimated Time Remaining) display.

NOTES:

- If the door is opened while the washer is in **Delay Wash**, the countdown time will stop the count down and the display will say “door”. The door must be closed and the **Start/Pause** button must be pressed to continue the delay time count down.

- You can delay the start of a washer cycle up to 24 hours.

The light on the button will light up when **Delay Wash** is on.



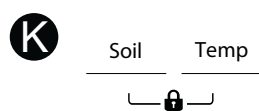
Start/Pause

Press to start a wash cycle. If the washer is running, pressing it once will pause the washer and unlock the door. This function can be used to add garments during a cycle. Press again to restart the wash cycle.

NOTE: If the washer is paused and the cycle is not restarted within 15 minutes, the current wash cycle will be cancelled.

NOTE: In some cases the washer will drain first, then unlock the door when it is paused.

NOTE: The washer performs automatic system checks after pressing the **Start/Pause** button. Water will flow in 45 seconds or less. You may hear the door lock and unlock before water flows; this is normal.



Lock

You can lock the controls to prevent any selections from being made. Or you can lock or unlock the controls after you have started a cycle.

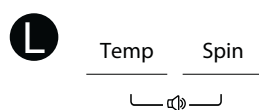
Children cannot accidentally start the washer by touching pads with this option selected.

To lock the washer, press and hold the **Soil** and **Temp** buttons together for 3 seconds.

To unlock the washer controls, press and hold the **Soil** and **Temp** buttons together for 3 seconds. A sound is made to indicate the lock/unlock status.

The control lock icon on the display will light up when it is on.

NOTE: The **Power** button can still be used when the machine is locked.



Signal

When the light is on, the washer will beep at the end of the cycle and every time you press a button on the control panel.

To turn the signal off, press and hold the **Temp** and **Spin** buttons together for 3 seconds. A sound is made to indicate the lock/unlock status.

Getting started

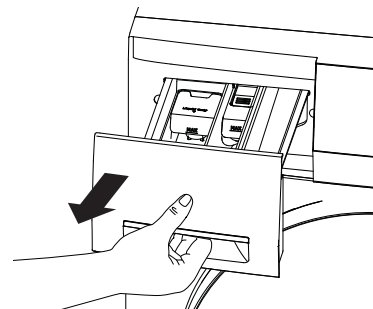
Dispenser Drawer

Slowly open the dispenser drawer by pulling it out until it stops.

After adding laundry products, slowly close the dispenser drawer. Closing the drawer too quickly could result in early dispensing of the fabric softener or detergent.

You may see water in the fabric softener compartment at the end of the cycle. This is a result of the flushing/siphoning action and is part of the normal operation of the washer.

Use only HE High-Efficiency detergent



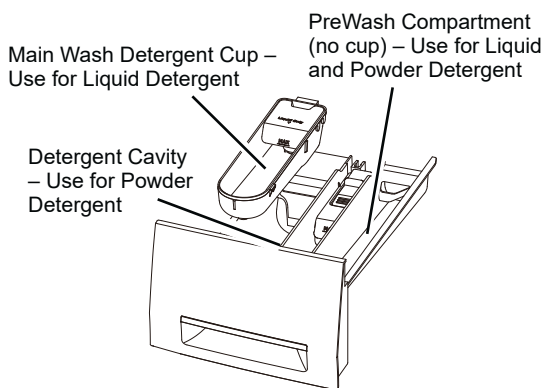
Detergent Compartment

- Only use high-efficiency detergent in this washer. Use the detergent manufacturer's recommended amount. DO NOT fill above the MAX line.
- Detergent is flushed from the dispenser at the beginning of the wash cycle. Either powdered or liquid high-efficiency detergent can be used.
- Detergent usage may need to be adjusted for water temperature, water hardness, size and soil level of the load. Avoid using too much detergent in your washer since it can lead to oversudsing and detergent residue being left on the clothes.

Cup and Cavity Drawer System (on some models)

The detergent compartment is in the **left side** of the dispenser drawer. The detergent cavity (cup removed) is used for powder detergent, and the detergent cup is used for liquid detergent.

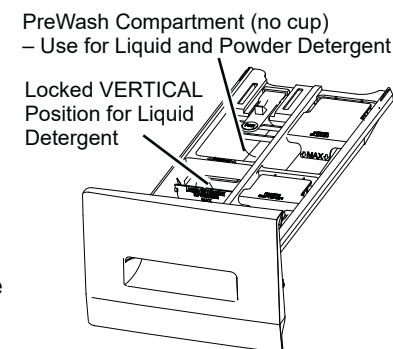
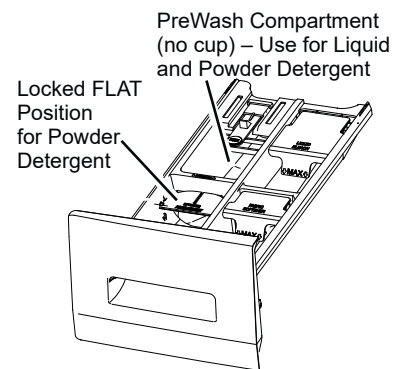
- **Powder Detergent** – Remove the detergent cup and pour the suggested amount of powder detergent into the detergent cavity.
- **Liquid Detergent** – Leave the detergent cup in the drawer and pour liquid detergent into the cup. Do not fill above the MAX line.



Divider Drawer System (on some models)

The detergent compartment is in the **front left** of the dispenser drawer.

- **Powder Detergent** – Lock the detergent card flat into its top position in the compartment. Make sure the card is locked, then pour the suggested amount of powder detergent into the detergent dispenser.
- **Liquid Detergent** – Lock the detergent card vertically into its center position in the compartment. Make sure the card is locked, then pour the suggested amount of liquid detergent into the detergent dispenser.



Fabric Softener Compartment

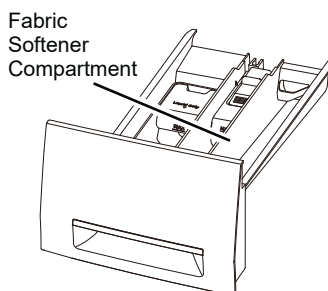
If desired, pour the recommended amount of liquid fabric softener into the compartment labeled "Fabric Softener."

Use only liquid fabric softener in the dispenser.

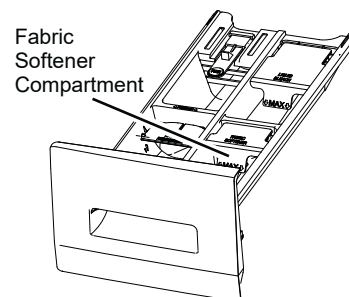
Dilute with water to the maximum fill line.

Do not exceed the maximum fill line. Overfilling can cause early dispensing of the fabric softener, which could stain clothes.

NOTE: Do not pour fabric softener directly on the wash load.



(On some models)




(On some models)

Loading

Always follow fabric manufacturer's care label when laundering.

Sorting Wash Loads

Sort by color (whites, lights, colors), soil level, fabric type (sturdy cottons, easy care, delicates) and whether the fabric produces lint (terry cloth, chenille) or collects lint (velveteen, corduroy). Wash lint producers such as cotton towels and socks separate from lint collectors including synthetic garments and dress pants.

⚠ WARNING  - Fire Hazard

DO NOT wash fabrics soiled with flammable liquids or cleaning solvents.
No washer can completely remove oil.

DO NOT wash or dry anything that has been soaked in or spotted with any type of oil (including cooking oils).

DO NOT reach into the washer until all moving parts have stopped.
Doing so can result in death, explosion, fire or amputation.

Loading the Washer

The wash drum may be fully loaded with loosely added items.

To add items after the washer has started, press **Start/Pause** and wait until the door is unlatched. The washer may take up to 30 seconds to unlock the door after pressing **Start/Pause**, depending on the machine conditions. Do not try to force open the door when it is locked. After the door unlocks, open gently. Add items, close the door and press **Start/Pause** to restart.

The wash drum may be fully loaded with loosely added items.

Loading Examples

WORKWEAR	LINENS	MIXED LOAD	DELICATES*	QUICK WASH (2-3 GARMENTS)
3 Jeans 3 Work Wear Shirts 2 Work Wear Pants	1 Bath Sheet 6 Bath Towels/ 8 Washcloths 4 Hand Towels/ 1 Terrycloth Bath Mat OR 1 Flat Queen-Sized Sheet 1 Fitted Queen-Sized Sheet 2 Pillowcases	2 Pillowcases 1 Hand Towel 1 Flat Sheet/ 1 Fitted Sheet 2 Bath Towels/ 2 Washcloths OR 4 Shirts (Men's or Women's) 3 Pair Pants (Khakis or Twills) 3 T-shirts 4 Pairs of Boxers 2 Pairs of Shorts OR 4 T-shirts 2 Pairs of Sweatpants 2 Sweatshirts 1 Hoodie 5 Pairs of Socks	4 Bras 4 panties 2 Slips 1 Camisole 3 Nightgowns *Using a nylon mesh bag for small items is recommended.	2 Casual Wear Work Shirts 1 Pair Casual Wear Work Pants OR 3 Soccer Uniforms

Care and cleaning

Water Supply Hoses

Hoses connecting washer to faucet should be replaced every 5 years.

Exterior

Immediately wipe off any spills. Wipe with damp cloth. Wipe or dust spills or washing compounds with a damp cloth. Washer control panel and finishes may be damaged by some laundry pretreatment and stain remover products. Apply these products away from the washer. The fabric may then be washed and dried normally. Damage to your washer caused by these products is not covered by your warranty. Do not hit surface with sharp objects.

Interior

Dry around the washer door opening, flexible gasket (including attached hoses) and door glass. These areas should always be clean to ensure a watertight seal.

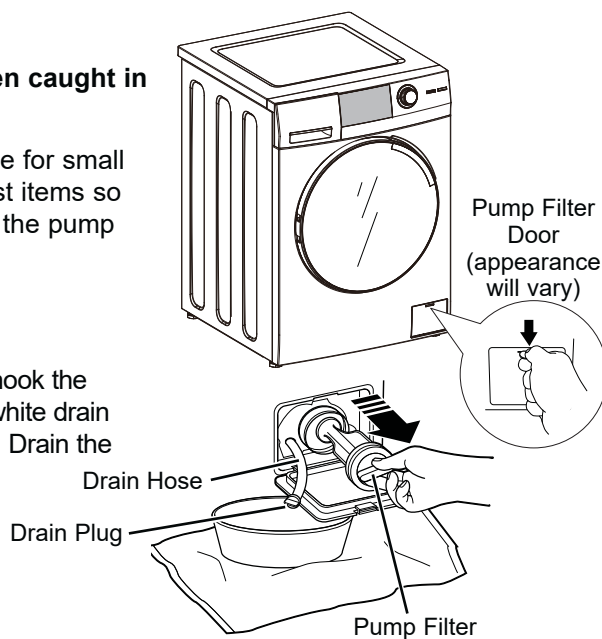
It is recommended to rinse the washer at least once per month with 1 cup of bleach (or other commercially available product manufactured for this purpose, such as Tide® Washing Machine Cleaner) poured directly into the basket without clothes and using the **Tub Clean Cycle**.

Pump Filter

Clean EVERY MONTH to remove any items that may have been caught in the filter or housing.

Due to the nature of the front-load washer, it is sometimes possible for small articles to pass to the pump. The washer has a filter to capture lost items so they are not dumped to the drain. To retrieve lost items, clean out the pump filter.

- 1 Open the door on the bottom right of the front of the unit.
- 2 Twist the small white cap counterclockwise a quarter turn and unhook the small rubber hose. Pull the hose out of the hole and remove the white drain hose plug above a small pan to capture any water that may drain. Drain the excess water. Replace.
- 3 Unscrew the pump filter. Rinse off any debris. Replace.
- 4 Close the access door.

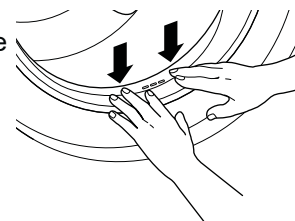


Door Gasket

Open the washer door. Using both hands, press down the door gasket. Remove any foreign objects if found trapped inside the gasket. Make sure there is nothing blocking the holes behind the gasket.

While holding down the door gasket, inspect the interior of the gasket by pulling it down with your fingers. Remove any foreign objects if found trapped inside this gasket. Make sure there is nothing blocking the holes behind the gasket.

When you are finished cleaning the door gasket, remove your hands and the gaskets will return to the operating position.

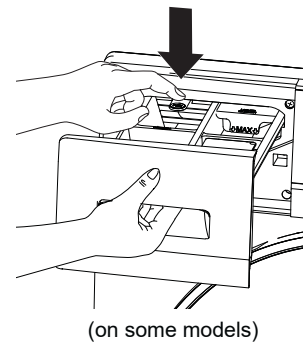
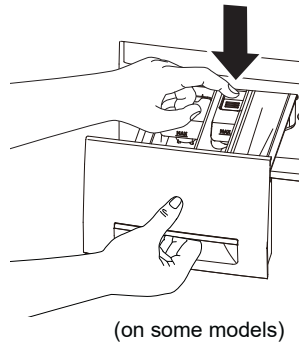


Care and cleaning

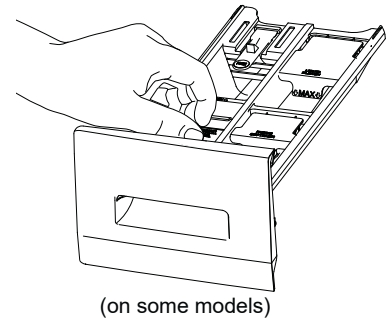
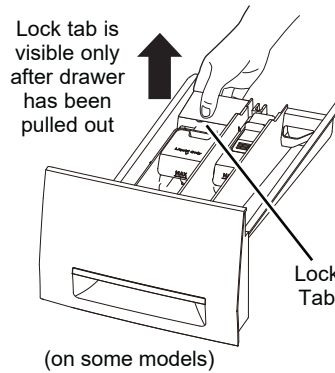
Dispenser Drawer Area

Detergent and fabric softener may build up in the dispenser drawer. Residue should be removed once or twice a month.

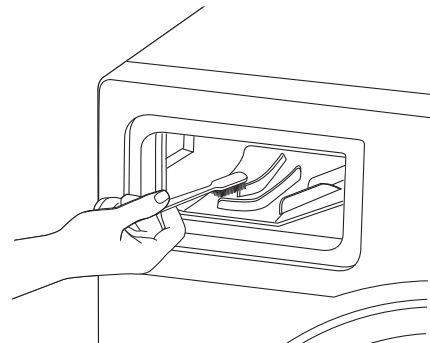
- Remove the drawer by first pulling it out until it stops. Then reach back into the rear center of the drawer cavity and press down firmly on the lock tab, pulling out the drawer.



- Remove all cups and inserts from the dispenser drawer. Rinse the inserts, cups and drawer with hot water to remove traces of accumulated laundry products.



- To clean the drawer opening, use a small brush to clean the recess. Remove all residue from the upper and lower parts of the recess.
- Return inserts to the proper compartments. Replace the dispenser drawer.
- To reduce buildup in the Dispenser Drawer area:



Use only HE High-Efficiency detergent.



Moving and Storage

Ask the service technician to remove water from drain pump and hoses. Do not store the washer where it will be exposed to the weather. When moving the washer, the tub should be kept stationary by using the shipping bolts removed during installation. See Installation Instructions in this manual. If these parts are not available, they can be ordered by visiting our Website at GEApplianceparts.com or by calling GE Appliances at 877.959.8688. In Canada, visit your local GE Appliances parts distributor or call 800.661.1616 or GEAppliances.ca/en/products/parts-filters-accessories.

Long Vacations

Be sure water supply is shut off at faucets. Drain all water from hoses and water filter pump area if weather will be below freezing.

Installation Instructions

Washer




If you have any questions, call GE Appliances at 800.GE.CARES (800.432.2737) or visit our Website at: GEAppliances.com
In Canada, call 800.561.3344 or visit GEAppliances.ca

BEFORE YOU BEGIN

Read these instructions completely and carefully.

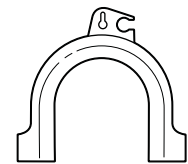
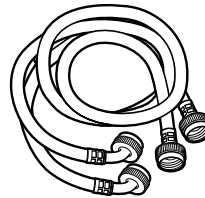
- **IMPORTANT** – Save these instructions for local inspector's use.
- **IMPORTANT** – Observe all governing codes and ordinances.
- **Note to Installer** – Be sure to leave these instructions with the Consumer.
- **Note to Consumer** – Keep these instructions for future reference.
- **Skill level** – Installation of this appliance requires basic mechanical and electrical skills.
- **Completion time** – 1-3 hours
- Proper installation is the responsibility of the installer.
- Product failure due to improper installation is not covered under the Warranty.

TOOLS REQUIRED FOR WASHER INSTALLATION

- Level 
- Wrench (provided) 
- Channel-lock adjustable pliers 

PARTS SUPPLIED

- Water Hoses (2)
(Flat washers pre-installed)
- Drain Hose Guide



LOCATION OF YOUR WASHER

DO NOT Install the Washer:

1. In an area exposed to dripping water or outside weather conditions. The ambient temperature should never be below 60°F (15.6°C) for proper washer operation.
2. In an area where it will come in contact with curtains or drapes.
3. On carpet. The floor **MUST** be a hard surface with a maximum slope of 1/2" per foot (1.27 cm per 30 cm). To make sure the washer does not vibrate or move, you may have to reinforce the floor.

NOTE: If floor is in poor condition, use 3/4" impregnated plywood sheet solidly attached to existing floor covering.

IMPORTANT:

Minimum Installation Clearances

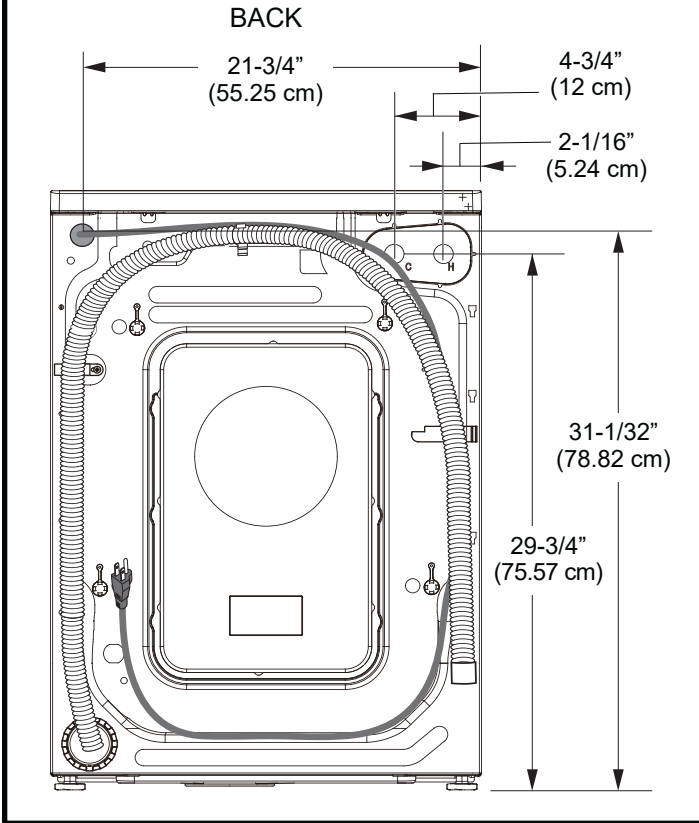
- When installed in alcove: Sides/Rear = 0" and Top = 1"
- When installed in closet: Sides/Rear = 0" and Top/Front = 1" (2.54 cm)
- Consideration must be given to provide adequate clearance for installation and service.
- Closet doors must be louvered or otherwise ventilated and have at least 60 square inches (387.1 cm²) of open area. If the closet contains both a washer and a dryer, doors must contain a minimum of 120 square inches (774.2 cm²) of open area.

MOBILE HOME INSTALLATION:

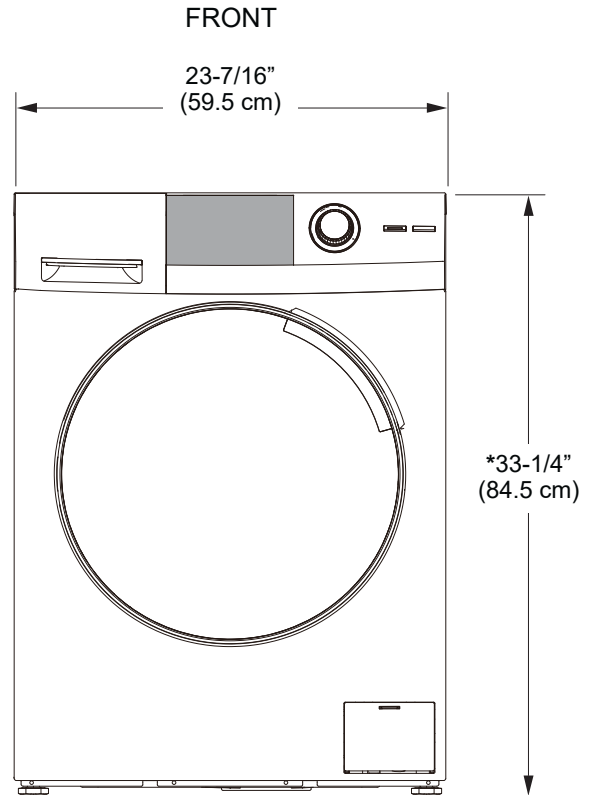
Installation must conform to Standard for Mobile Homes, ANSI A119.1 and National Mobile Home Construction and Safety Standards Act of 1974 (PL93-383).

Installation Instructions

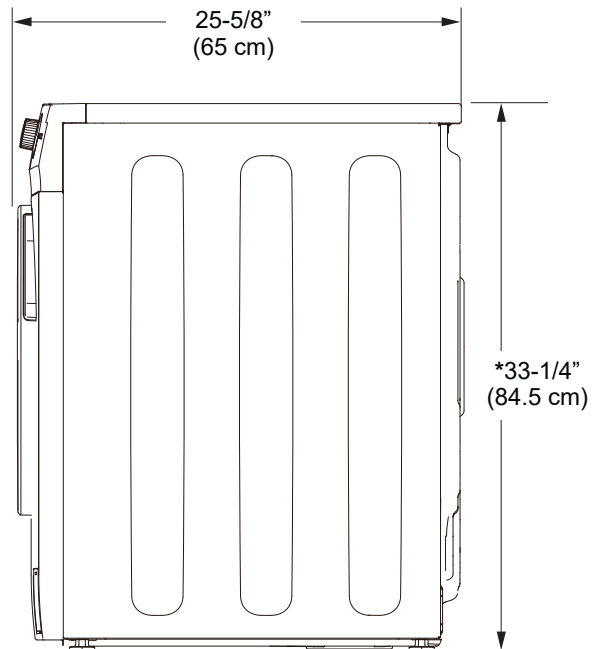
CONNECTION DIMENSIONS



ROUGH-IN DIMENSIONS



SIDE



*NOTE:

Washer leveling legs retracted = 33-1/4" (84.5 cm)
Washer leveling legs extended = 33-3/4" (85.5 cm)
Stacked = 66-1/2" (169.0 cm)

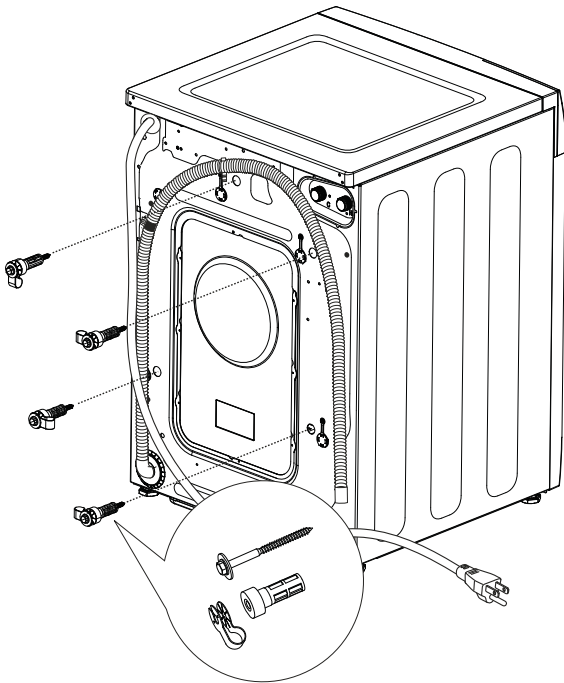
Installation Instructions

UNPACKING THE WASHER

▲ WARNING Recycle or destroy the carton and plastic bags after the washer is unpacked. Make materials inaccessible to children. Children might use them for play. Cartons covered with rugs, bedspreads or plastic sheets can become airtight chambers causing suffocation.

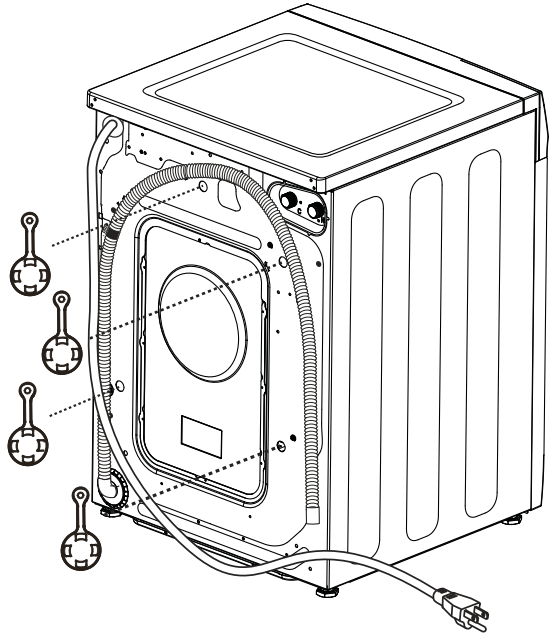
1. Cut and remove all packaging straps.
2. While it is in the carton, carefully lay the washer on its side. DO NOT lay the washer on its front or back.
3. Turn down the bottom flaps. Remove all base packaging including the styrofoam base.
4. Carefully return the washer to an upright position and remove the carton by lifting it upward.
5. Carefully move the washer to within 4 feet (122 cm) of the final location.
6. Remove the following from the back side of the washer:
 - 4 bolts
 - 4 plastic spacers (including rubber grommets)

NOTE: Do NOT remove the screw or clip holding the hose.



UNPACKING THE WASHER (cont.)

7. Insert shipping bolt hole covers into shipping bolt holes.



NOTES:

- Failure to remove the shipping braces can cause the washer to become severely unbalanced.
- **IMPORTANT:** Save all bolts for future use.

If you must transport the washer at a later date, you must reinstall the shipping support hardware to prevent shipping damage. Keep the hardware in the plastic bag provided.

Installation Instructions

ELECTRICAL REQUIREMENTS

⚠ WARNING - Electrical Shock Hazard

Plug into a grounded 3-prong outlet.

DO NOT remove ground prong.

DO NOT use an adapter.

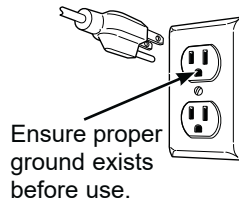
DO NOT use an extension cord.

Failure to follow these instructions can result in death, fire or electrical shock.

CIRCUIT – Individual, properly polarized and grounded 15 or 20 amp circuit breaker or time-delay fuse.

POWER SUPPLY – 2 wire plus ground, 120 Volt, single phase, 60 Hz, alternating current.

Outlet Receptacle – Properly grounded 3-prong receptacle to be located so the power cord is accessible when the washer is in an installed position. If a 2-prong receptacle is present, it is the owner's responsibility to have a licensed electrician replace it with a properly grounded 3-prong grounding type receptacle.



Washer must be electrically grounded in accordance with local codes and ordinances, or in the absence of local codes, with latest edition of the NATIONAL ELECTRICAL CODE, ANSI/NFPA NO. 70 or CANADIAN ELECTRICAL CODE, CSA C22.1. Check with a licensed electrician if you are not sure that the washer is properly grounded.

GROUNDING INSTRUCTIONS

This appliance must be grounded. In the event of malfunction or breakdown, grounding will reduce the risk of electric shock by providing a path of least resistance for electric current. This appliance is equipped with a cord having an equipment-grounding conductor and a grounding plug. The plug must be plugged into an appropriate outlet that is properly installed and grounded in accordance with all local codes and ordinances.

⚠ WARNING Improper connection of the equipment-grounding conductor can result in a risk of electrical shock. Check with a qualified electrician, or service representative or personnel, if you are in doubt as to whether the appliance is properly grounded. **DO NOT** modify the plug on the power supply cord. If it will not fit the outlet, have a proper outlet installed by a qualified electrician.

If required by local codes, an external 18 gauge or larger copper ground wire (not provided) may be added. Attach to washer cabinet with a #10-16 x 1/2" sheet metal screw (available at any hardware store) to rear of washer.

⚠ WARNING - Electrical Shock Hazard

Disconnect power supply before servicing.

Replace all parts and panels before operating.

Failure to do so can result in death or electrical shock.

⚠ WARNING - Shock Hazard

Certain internal parts are intentionally not grounded and may present a risk of electric shock only during servicing.

Service personnel – DO NOT contact the following parts while the appliance is energized: Electrical Valve, Drain Pump, NTC and Motor Control Unit.

WATER SUPPLY REQUIREMENTS

Hot and cold water faucets **MUST** be installed within 42 inches (107 cm) of your washer's water inlet. The faucets **MUST** be 3/4" (1.9 cm) garden hose-type so inlet hoses can be connected. Water pressure **MUST** be between 10 and 120 pounds per square inch. Your water department can advise you of your water pressure. The hot water temperature should be set to deliver water at 120° to 140°F (48°–60°C) to provide proper Automatic Temperature Control (ATC) performance.

DRAIN REQUIREMENTS

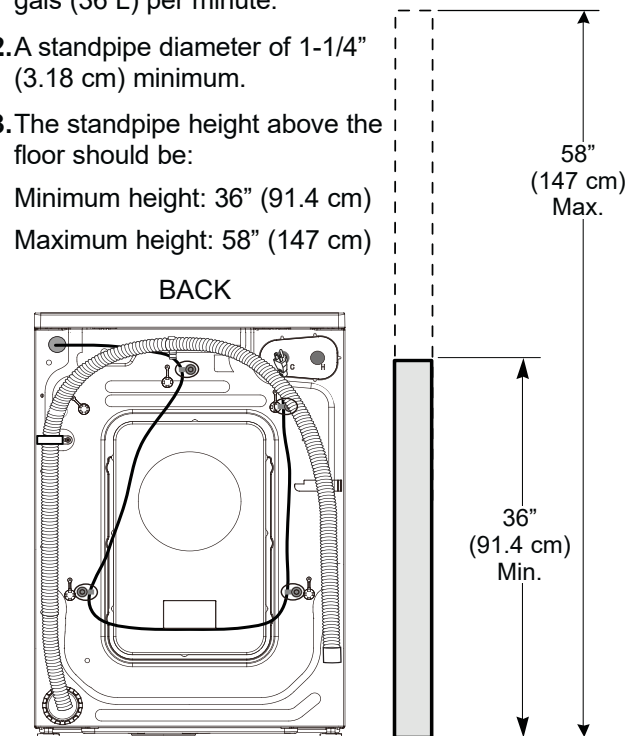
1. Drain capable of eliminating 9.5 gals (36 L) per minute.

2. A standpipe diameter of 1-1/4" (3.18 cm) minimum.

3. The standpipe height above the floor should be:

Minimum height: 36" (91.4 cm)

Maximum height: 58" (147 cm)



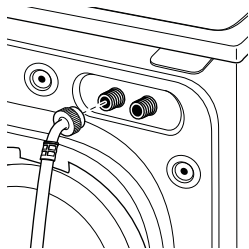
Installation Instructions

INSTALLING THE WASHER

1. Run some water from the hot and cold faucets to flush the water lines and remove particles that might clog the water valve screens.
2. Remove the inlet hoses from the plastic bag. Remove black rubber washers from bag and insert into hose fitting before connecting to unit.

3. (90° elbow end)

Carefully connect the inlet hoses marked HOT to the outside "H" outlet of the water valve. Tighten by hand; then tighten another 2/3 turn with pliers. Carefully connect the other inlet hose to the inside "C" outlet of the water valve. Tighten by hand; then tighten another 2/3 turn with pliers. **Do not cross-thread or overtighten these connections.**



4. Connect the inlet hose ends to the HOT and COLD water faucets tightly by hand; then tighten another 2/3 turn with pliers. Turn the water on and check for leaks.

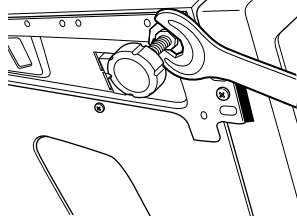


5. Carefully move the washer to its final location. Gently rock the washer into position. It is important not to damage the rubber leveling legs when moving your washer to its final location. Damaged legs can increase washer vibration. It may be helpful to spray window cleaner on the floor to help move your washer into its final position. **NOTE: To reduce vibration, ensure that all four rubber leveling legs are firmly touching the floor. Push and pull on the back right and then back left of your washer.**

NOTE: Do not use the dispenser drawer or door to lift the washer.

NOTE: If you are installing into a drain pan, you can use a 24-inch-long 2x4 to lever the washer into place.

6. With the washer in its final position, place a level on top of the washer (if the washer is installed under a counter, the washer should not be able to rock). Adjust the front leveling legs up or down to ensure the washer is resting solidly. Turn the locknuts on each leg up toward the base of the washer and snug with a wrench.

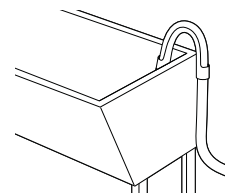
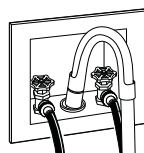


NOTE: Keep the leg extension at a minimum to prevent excessive vibration. The farther out the legs are extended, the more the washer will vibrate.

If the floor is not level or is damaged, you may have to extend the rear leveling legs.

INSTALLING THE WASHER (cont.)

7. Attach U-shaped hose guide to the end of the drain hose. Place the hose in a laundry tub or standpipe.



NOTE: If the drain hose is placed in a standpipe without forming a U shape, a siphoning action could occur. There must be an air gap around the drain hose. A snug hose fit can also cause a siphoning action.

NOTE: Do not place drain hose deeper than 7" into the drain. 4" - 7" is suggested. Deeper than 7" can cause a siphoning action.

8. Plug the power cord into a grounded outlet.

NOTE: Check to be sure the power is off at the circuit breaker/fuse box before plugging the power cord into an outlet.

9. Turn on the power at the circuit breaker/fuse box.
10. Read the rest of this Owner's Manual. It contains valuable and helpful information that will save you time and money.
11. **Before starting the washer, check to make sure:**
 - Main power is turned on.
 - The washer is plugged in.
 - The water faucets are turned on.
 - The unit is level and all four leveling legs are firmly on the floor.
 - The shipping support hardware is removed and saved.
 - The drain hose is properly tied up.
 - There are no leaks at the faucet, drain line or washer.
12. Run the washer through a complete cycle. Check for water leaks and proper operation.
13. If your washer does not operate, please review the **Troubleshooting Tips** section before calling for service.
14. Place these instructions in a location near the washer for future reference.

REPLACEMENT PARTS

If replacement parts are needed for your washer, they can be ordered in the United States by visiting our Website at GEApplianceparts.com or by calling GE Appliances at 877.959.8688. In Canada, visit GEAppliances.ca/en/products/parts-filters-accessories or call 800.661.1616.

Troubleshooting Tips... Before you call for service

Problem	Possible Cause	What To Do
Not draining Not spinning Not tumbling	Load is out of balance	Redistribute clothes and run Rinse+Spin . Increase load size if washing small load containing heavy and light items.
	Pump filter may be clogged	See the Care and Cleaning section on how to clean the Pump Filter .
	Drain hose is kinked or improperly connected	Straighten drain hose and make sure washer is not sitting on it.
	Household drain may be clogged	Check household plumbing. You may need to call a plumber.
	Drain hose siphoning; drain hose pushed too far down the drain	Ensure there is an air gap between hose and drain.
Leaking water	Door gasket is damaged	Check to see if gasket is seated and not torn. Objects left in pockets may cause damage to the washer (nails, screws, pens, pencils) Water may drip from the door when the door is opened. This is a normal operation. Carefully wipe off rubber door seal. Sometimes dirt or clothing is left in this seal and can cause a small leak
	Check back left of washer for water	If this area is wet, you have oversudsing condition. Use less detergent.
	Fill hoses or drain hose is improperly connected	Make sure hose connections are tight at washer and faucets and make sure end of drain hose is correctly inserted in and secured to drain facility.
	Household drain may be clogged	Check household plumbing. You may need to call a plumber.
	Dispenser clogged	Powder soap may cause clogs inside the dispenser and cause water to leak out the front of the dispenser. Remove drawer and clean both drawer and inside of dispenser box. Please refer to Care and Cleaning section.
	Incorrect use of detergent	Use only HE and correct amount of detergent.
Clothes too wet	Load is out of balance	Redistribute clothes and run Rinse+Spin . Increase load size if washing small load containing heavy and light items.
	Pump filter may be clogged	See the Care and Cleaning section on how to clean the Pump Filter .
	Overloading	Load your washer so clothes have enough room to move freely.
	Drain hose is kinked or improperly connected	Straighten drain hose and make sure washer is not sitting on it.
	Household drain may be clogged	Check household plumbing. You may need to call a plumber.
	Drain hose siphoning; drain hose pushed too far down the drain	Ensure there is an air gap between hose and drain.

Troubleshooting Tips... Before you call for service

Problem	Possible Cause	What To Do
Incomplete cycle or timer not advancing	Automatic load redistribution	Timer stops at 1 minute; machine has redistributed the load once or twice. This is normal operation. Do nothing; the machine will finish the wash cycle.
	Pump filter may be clogged	See the Care and Cleaning section on how to clean the Pump Filter .
	Drain hose is kinked or improperly connected	Straighten drain hose and make sure washer is not sitting on it.
	Household drain may be clogged	Check household plumbing. You may need to call a plumber.
	Drain hose siphoning; drain hose pushed too far down the drain	Ensure there is an air gap between hose and drain.
Loud or unusual noise; vibration or shaking	Cabinet moving	Washer is designed to move 1/4" to reduce forces transmitted to the floor. This movement is normal.
	All rubber leveling legs are not firmly touching the floor	Push and pull on the back right and then back left of your washer to check if it is level. If the washer is uneven, adjust the rubber leveling legs so they are all firmly touching the floor and locked in place.
	Unbalanced load	Pause unit, open door and manually redistribute load. To check machine, run rinse and spin with no load. If normal, unbalance was caused by load.
	Pump filter may be clogged	See the Care and Cleaning section on how to clean the Pump Filter .
No power/washer not working or dead	Washer is unplugged	Make sure cord is plugged securely into a working outlet.
	Water supply is turned off	Turn both hot and cold faucets fully on.
	Circuit breaker/fuse is tripped/blown	Check house circuit breakers/fuses. Replace fuses or reset breaker. Washer should have separate outlet.
	Automatic self system checks	First time the washer is plugged in, automatic checks occur. It may take up to 20 seconds before you can use your washer. This is normal operation.
Snags, holes, tears, rips or excessive wear	Pens, pencils, nails, screws or other objects left in pockets	Remove loose items from pockets.
	Pins, snaps, hooks, sharp buttons, belt buckles, zippers and sharp objects left in pockets	Fasten snaps, hooks, buttons and zippers.
Control time wrong or changes	This is normal	During spin the washer may need to rebalance the load sometimes to reduce vibrations. When this happens, the estimated time is increased causing time left to increase or jump.
Not enough water	This is normal	Horizontal washers do not require the tub to fill with water like top-load washers.
Washer pauses or has to be restarted, or washer door is locked and will not open	Pump filter may be clogged	See the Care and Cleaning section on how to clean the Pump Filter .
Door unlocks or press Start and machine doesn't operate	This is normal	Front-load washers start up differently than top-load washers, and it takes several seconds to check the system. The door will lock and unlock.
	Incorrect operation	Simply open and close the door firmly; then press Start .

Troubleshooting Tips... Before you call for service

Problem	Possible Cause	What To Do
Water does not enter washer or enters slowly	Automatic self system checks	After Start is pressed, the washer does several system checks. Water will flow several seconds after Start is pressed.
	Water valve screens are stopped up	Turn off the water source and remove the water connection hoses from the upper back of the washer. Use a brush or toothpick to clean the screens in the machine. Reconnect the hoses and turn the water back on.
	Inlet hose screen washers are stopped up	Turn off the water source and remove the inlet hoses from the wall faucets. Use a brush or toothpick to clean the screen washers in the end of the hoses. Reconnect the hoses and turn the water back on.
	Pump filter may be clogged	See the Care and Cleaning section on how to clean the Pump Filter .
	Fill hoses may be kinked	Check that fill hoses are not kinked or clogged.
	Water supply is turned off	Turn on both hot and cold faucets fully.
	Energy efficiency	This is an energy-efficient washer. As a result, the temperature settings for this washer may be different than for a non-energy-efficient washer.
	Insufficient water supply	Make sure that the water supply is turned on. Make sure that the water faucets are turned to their completely open position.
	The washer door is open	The washer door must be closed for all washer cycle operations. If the door is opened during the washer operation, all functions will stop, including water filling.
	Incorrect fill hose connection	Make sure that the fill hoses connect the hot water supply to the hot inlet on the washer and the cold water supply to the cold inlet on the washer (hot to hot, cold to cold).
Wrinkling	Improper sorting	Avoid mixing heavy items (like work clothes) with light items (like blouses).
	Overloading	Load your washer so clothes have enough room to move freely.
	Incorrect wash cycle	Match cycle selection to the type of fabric you are washing (especially for easy care loads).
	Repeated washing in water that is too hot	Wash in warm or cold water.
Grayed or yellowed clothes	Not enough detergent	Use correct amount of detergent.
	Not using HE (high efficiency) detergent	Use only HE detergent.
	Hard water	Use hottest water safe for fabric.
		Use a water conditioner like Calgon brand or install a water softener.
	Water is not hot enough	Make sure water heater is delivering water at 120°–140°F (48°–60°C).
	Detergent is not dissolving	Try a liquid HE detergent.
Dye transfer	Sort clothes by color. If fabric label states wash separately, unstable dyes may be indicated.	

Troubleshooting Tips... Before you call for service

Problem	Possible Cause	What To Do
Colored spots	Incorrect use of fabric softener	Check fabric softener package for instructions and follow directions for using dispenser.
	Dye transfer	Sort whites or lightly colored items from dark colors. Promptly remove wash load from washer.
Water temperature is incorrect	Water supply is improperly connected	Make sure hoses are connected to correct faucets.
	House water heater is not set properly	Make sure house water heater is delivering water at 120°–140°F (48°–60°C).
Slight variation in metallic color	This is normal	Due to the metallic properties of paint used for this unique product, slight variations of color may occur due to viewing angles and lighting conditions.
Bad odor inside your Washer	Washer unused for a long time, not using recommended quality of HE detergent or used too much detergent	Run a Tub Clean cycle.
		In case of strong odor, you may need to run the Tub Clean cycle more than once.
		Use only the amount of detergent recommended on the detergent container.
		Use only HE (high efficiency) detergent.
		Always remove wet items from the washer promptly after machine stops running.
	Leave the door slightly open for the water to air dry. Close supervision is necessary if this appliance is used by or near children. Do not allow children to play on or in this or any other appliance.	
Detergent leak	Incorrect placement of detergent insert	Make sure detergent insert is properly located and fully seated. Never put detergent above max line.
	This is normal	It is normal operation to see detergent leak on door gasket about 20 seconds after filling the dispenser.
Improper dispensing of softener	Dispenser clogged	Monthly clean the dispenser drawer to remove buildup of chemicals.
	Softener is filled above the max line	Make sure to have the correct amount of softener.
	Softener cap issue	Make sure softener cap for dispenser is seated or it will not work.
Dispenser drawer not dispensing properly	Laundry detergent packet placed in dispenser drawer	Laundry detergent packets should not be used in the dispenser. They should only be added directly to the wash tub following the manufacturer's directions.
Pump running while washer is not in use	Clog in sump drain	This is normal. Drain sump is detecting an undesired water fill level from a potential open faucet. Shut off water valve and inspect water valve for blockage.

GE Appliances Washer Limited Warranty

LIMITED WARRANTY

GEAppliances.com

All warranty service is provided by our Factory Service Centers, or an authorized Customer Care® technician. To schedule service online, visit us at GEAppliances.com/service, or call GE Appliances at 800.GE.CARES (800.432.2737). Please have your serial number and your model number available when calling for service.

Servicing your appliance may require the use of the onboard data port for diagnostics. This gives a GE Appliances factory service technician the ability to quickly diagnose any issues with your appliance and helps GE Appliances improve its products by providing GE Appliances with information on your appliance. If you do not want your appliance data to be sent to GE Appliances, please advise your technician not to submit the data to GE Appliances at the time of service.

For the period of:	We will replace:
One year From the date of the original purchase	Any part of the washer which fails due to a defect in materials or workmanship. During this limited one-year warranty , we will also provide, free of charge , all labor and related service to replace the defective part.

What is not covered:

- Service trips to your home to teach you how to use the product.
- Improper installation, delivery or maintenance.
- Failure of the product if it is abused, misused, or used for other than the intended purpose or used commercially.
- Replacement of house fuses or resetting of circuit breakers.
- Products which are not defective or broken, or which are working as described in the Owner's Manual.
- Damage to the product caused by accident, fire, floods or acts of God.
- Incidental or consequential damage caused by possible defects with this appliance.
- Defects or damage due to operation in freezing temperatures.
- Damage caused after delivery.
- Product not accessible to provide required service.

EXCLUSION OF IMPLIED WARRANTIES

Your sole and exclusive remedy is product repair as provided in this Limited Warranty. Any implied warranties, including the implied warranties of merchantability or fitness for a particular purpose, are limited to one year or the shortest period allowed by law.

In the United States:

This limited warranty is extended to the original purchaser and any succeeding owner for products purchased for home use within the USA. If the product is located in an area where service by a GE Appliances Authorized Servicer is not available, you may be responsible for a trip charge or you may be required to bring the product to an Authorized GE Appliances Service location for service. In Alaska, the limited warranty excludes the cost of shipping or service calls to your home.

Some states do not allow the exclusion or limitation of incidental or consequential damages. This limited warranty gives you specific legal rights, and you may also have other rights which vary from state to state. To know what your legal rights are, consult your local or state consumer affairs office or your state's Attorney General.

Warrantor: GE Appliances, a Haier Company
Louisville, KY 40225

In Canada:

This limited warranty is extended to the original purchaser and any succeeding owner for products purchased in Canada for home use within Canada. If the product is located in an area where service by a GE Appliances Authorized Servicer is not available, you may be responsible for a trip charge or you may be required to bring the product to an Authorized GE Appliances Service location.

Some provinces do not allow the exclusion or limitation of incidental or consequential damages. This limited warranty gives you specific legal rights, and you may also have other rights which vary from province to province. To know what your legal rights are, consult your local or provincial consumer affairs office.

Warrantor: MC Commercial Inc., Burlington, ON, L7R 5B6

Extended Warranties: Purchase a GE Appliances extended warranty and learn about special discounts that are available while your warranty is still in effect. You can purchase it online anytime at

GEAppliances.com/extended-warranty

or call 800.626.2224 during normal business hours. GE Appliances Service will still be there after your warranty expires.

Staple your receipt here. Proof of the original purchase date is needed to obtain service under the warranty.

Consumer Support

GE Appliances Website

Have a question or need assistance with your appliance? Try the GE Appliances Website 24 hours a day, any day of the year! You can also shop for more great GE Appliances products and take advantage of all our on-line support services designed for your convenience. In the US: GEAppliances.com.

In Canada: GEAppliances.ca.

Register Your Appliance

Register your new appliance on-line at your convenience! Timely product registration will allow for enhanced communication and prompt service under the terms of your warranty, should the need arise. You may also mail in the pre-printed registration card included in the packing material. In the US: GEAppliances.com/register.

In Canada: Prodsupport.mabe.ca/crm/Products/ProductRegistration.aspx.

Schedule Service

Expert GE Appliances repair service is only one step away from your door. Get on-line and schedule your service at your convenience any day of the year. In the US: GEAppliances.com/service or call 800.432.2737 during normal business hours.

In Canada: GEAppliances.ca/en/support/service-request or call 800.561.3344.

Extended Warranties

Purchase a GE Appliances extended warranty and learn about special discounts that are available while your warranty is still in effect. You can purchase it on-line anytime. GE Appliances Services will still be there after your warranty expires. In the US: GEAppliances.com/extended-warranty or call 800.626.2224 during normal business hours.

In Canada: GEAppliances.ca/en/support/purchase-extended-warranty or call 866.277.9842.

Remote Connectivity

For assistance with wireless network connectivity (for models with remote enable), in the US visit our website at GEAppliances.com/connected-home-smart-appliances/ or call 800.220.6899.

In Canada: <http://www.geappliances.ca/en/news-and-promotions/what-is-hot/wifi-connect/>.

Parts and Accessories

Individuals qualified to service their own appliances can have parts or accessories sent directly to their homes (VISA, MasterCard and Discover cards are accepted). Order on-line today 24 hours every day.

In the US: GEApplianceparts.com or by phone at 877.959.8688 during normal business hours.

In Canada: GEAppliances.ca/en/products/parts-filters-accessories or call 800.661.1616.

Instructions contained in this manual cover procedures to be performed by any user. Other servicing generally should be referred to qualified service personnel. Caution must be exercised, since improper servicing may cause unsafe operation.

Contact Us

If you are not satisfied with the service you receive from GE Appliances, contact us on our Website with all the details including your phone number, or write to:

In the US: General Manager, Customer Relations | GE Appliances, Appliance Park | Louisville, KY 40225

GEAppliances.com/contact.

In Canada: Director, Consumer Relations, MC COMMERCIAL INC. | Suite 310, 1 Factory Lane | Moncton, N.B. E1C 9M3
GEAppliances.ca/en/contact-us.



LAVEUSES

CONSIGNES DE SÉCURITÉ3

UTILISATION DE LA LAVEUSE
 Comment démarrer 5
 Chargement 11

ENTRETIEN ET NETTOYAGE12

INSTALLATION D'INSTALLATION 14

CONSEILS DE DÉPANNAGE19

GARANTIE LIMITÉE23

SOUTIEN AU CONSOMMATEUR 24

GUIDE DE L'UTILISATEUR ET INSTRUCTION D'INSTALLATION

GFW148

Inscrivez ici les numéros de modèle et de série :

Modèle # _____

Série # _____

Vous les trouverez sur une étiquette placée à l'intérieur de la porte.

NOUS VOUS REMERCIONS D'ACCUEILLIR GE APPLIANCES CHEZ VOUS

Que vous ayez grandi avec GE Appliances ou qu'il s'agisse de votre première acquisition, nous sommes heureux de vous accueillir dans notre famille.

Nous sommes fiers du savoir-faire, de l'innovation et de l'esthétique qui composent chaque appareil GE Appliances, et nous pensons que vous le serez aussi. Dans cette optique, nous vous rappelons que l'enregistrement de votre électroménager vous assure la communication de renseignements importants sur le produit et la garantie lorsque vous en avez besoin.

Enregistrez votre électroménager GE en ligne dès maintenant. Des sites Web et des numéros de téléphone utiles figurent dans la section Soutien au consommateur de ce manuel d'utilisation. Vous pouvez aussi poster la fiche de garantie préimprimée incluse dans l'emballage.



GE APPLIANCES

CONSIGNES DE SÉCURITÉ IMPORTANTES

LIRE TOUTES LES CONSIGNES AVANT D'UTILISER L'APPAREIL

▲ AVERTISSEMENT

Pour réduire les risques de décès, d'incendie, d'explosion, de choc électrique ou de blessures lorsque vous utilisez votre appareil, suivez les mesures de sécurité de base, notamment :

- Lisez toutes les instructions avant d'utiliser l'appareil.
- Suivez toutes les instructions et avertissements de soin des tissus pour éviter que les vêtements fondent ou des dommages à l'appareil.
- **NE** nettoyez et **NE** séchez **PAS** d'articles qui ont été nettoyés, lavés, trempés ou tachés avec de l'essence, du solvant pour nettoyage à sec ou d'autres produits combustibles ou substances explosives, car ces derniers peuvent dégager des vapeurs qui pourraient s'enflammer ou exploser.
- **N'ajoutez PAS** de l'essence, du solvant pour nettoyage à sec ou d'autres produits combustibles ou substances explosives à l'eau de lavage. Ces substances peuvent dégager des vapeurs qui pourraient s'enflammer ou provoquer une explosion.
- Dans certaines conditions, de l'hydrogène peut se former dans un circuit d'eau chaude qui n'a pas été utilisé pendant deux semaines ou plus. L'HYDROGÈNE EST UN GAZ EXPLOSIF. Si le circuit d'eau chaude n'a pas été utilisé pendant une telle période, ouvrez tous les robinets d'eau chaude et laissez l'eau couler pendant plusieurs minutes avant d'utiliser votre laveuse. Ainsi, l'hydrogène accumulé sera évacué du système. Ce gaz étant inflammable, **NE** fumez **PAS** et n'utilisez pas de flamme nue pendant cette opération.
- **NE** laissez **PAS** les enfants jouer sur ou à l'intérieur de cet appareil. La présence d'enfants près de cet appareil lorsqu'il est en marche doit faire l'objet d'une étroite supervision. Avant de mettre la laveuse au rebut ou hors service, retirez la porte ou le couvercle. Le non-respect de ces instructions peut entraîner le décès ou des blessures.
- **NE** mettez **PAS** la main dans l'appareil lorsque le tambour ou l'agitateur est en mouvement pour éviter d'être happé accidentellement.
- **N'installez** ou n'entrez **PAS** cet appareil dans un endroit où il sera exposé aux intempéries.
- **NE** modifiez **PAS** les commandes, ne réparez ou ne remplacez pas de pièce de cet appareil et ne tentez pas d'effectuer une réparation, sauf si cette procédure est recommandée expressément dans les instructions d'entretien de l'utilisateur ou dans les instructions de réparation de l'utilisateur et que vous possédez les connaissances et les aptitudes requises pour le faire.
- **ABSTENEZ-VOUS** de grimper ou de vous tenir sur l'appareil.
- **N'utilisez PAS** cet appareil s'il est endommagé, s'il fonctionne mal, s'il est partiellement démonté ou si certaines de ses pièces manquent ou sont cassées (y compris le cordon d'alimentation ou la fiche).
- Débranchez l'appareil ou fermez son disjoncteur avant de procéder à l'entretien. Appuyer sur le bouton d'alimentation **Power** de l'appareil **NE** le déconnecte **PAS** de l'alimentation.
- Consultez la section sur le « EXIGENCES ÉLECTRIQUES » des instructions d'installation pour obtenir les procédures de mise à la terre.

LIRE ET CONSERVEZ CES DIRECTIVES

CONSIGNES DE SÉCURITÉ IMPORTANTES

LIRE TOUTES LES CONSIGNES AVANT D'UTILISER L'APPAREIL

INSTALLATION APPROPRIÉE

Cette laveuse doit être installée conformément aux instructions d'installation avant d'être utilisée.

- Assurez-vous que le boyau d'eau chaude est raccordé au robinet « H » et que le boyau d'eau froide est raccordé au robinet « C ».
- Installez ou entreposez l'appareil à un endroit où il ne sera exposé ni à des températures en dessous du point de congélation ni aux intempéries; l'appareil pourrait subir des dommages permanents et la garantie serait annulée.
- Mettez la laveuse à la terre conformément aux codes et règlements en vigueur. Suivez les instructions détaillées de la section « Instructions d'installation ».
- Veillez à ce que la laveuse soit bien de niveau et que les pieds soient correctement réglés pour que cet appareil soit stable.
- Une rallonge de tuyau d'évacuation optionnelle est recommandée pour les hauteurs d'évacuation allant de 60 à 96 po (152,4 à 243,8 cm).
- GE Appliances recommande fortement d'utiliser les pièces spécifiées du fabricant. Une liste de boyaux manufacturés disponibles pour l'achat est indiquée. Ces boyaux ont été fabriqués et testés afin de répondre aux spécifications de GE Appliances.
- GE Appliances recommande fortement d'utiliser de nouveaux boyaux d'alimentation en eau. Les boyaux se dégradent avec le temps et doivent être remplacés tous les cinq ans afin de réduire le risque de bris de boyau et de dégâts d'eau.

LORSQUE L'APPAREIL N'EST PAS UTILISÉ

- Fermez les robinets d'eau pour réduire les fuites en cas de tuyau cassé. Vérifiez l'état des tuyaux de remplissage. GE Appliances recommande de les remplacer tous les 5 ans.

PIÈCES ET ACCESSOIRES

Consultez votre annuaire local pour un détaillant de pièces autorisé ou appelez-nous au 800.661.1616 ou Electromenagersge.ca/fr/produits/filtres-et-accessoires.

Numéro de pièce	Accessoire
PM14X10002	Boyaux d'alimentation en eau en caoutchouc de 4 pi (1,2 m)
Ou	
PM14X10005	Boyaux d'alimentation en eau de type tressé de 4 pi (1,2 m)
WX10X10011	Nettoyant pour laveuse Tide®*
PM7X1	Plateau de plancher pour laveuse

*Tide® est une marque déposée de Procter & Gamble

LIRE ET CONSERVEZ CES DIRECTIVES

Comment démarrer

⚠ AVERTISSEMENT Pour réduire le risque d'incendie, de choc électrique ou de blessure, lisez les CONSIGNES DE SÉCURITÉ IMPORTANTES avant de faire fonctionner cet appareil.

Les caractéristiques et l'apparence de la cuisinière montrée dans ce manuel peuvent varier selon le modèle.

Étape 1

(l'apparence varie)



- Ajoutez de l'assouplissant dans le distributeur d'assouplissant; consultez la page 10.
- Ajoutez la quantité de détergent recommandée par le fabricant. GE Appliances recommande l'utilisation de détergents Haute Efficacité tels que dans votre laveuse écoénergétique. Placez les dosettes de détergent dans le fond du tambour avant d'ajouter des vêtements.

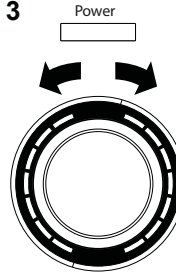
Étape 2



- Chargez le linge sans le tasser. Charger trop de linge peut avoir un impact négatif sur la performance de lavage. Consultez la page 11 pour obtenir des suggestions de chargement.
- Fermez la porte.

REMARQUE : La laveuse ne démarre pas lorsque la porte est ouverte.

Étape 3



- Si l'écran est obscur, appuyez sur le bouton Power (alimentation) pour activer l'afficheur.
- Sélectionnez le cycle de lavage. (Des réglages par défaut sont établis pour chaque cycle de lavage. Ces réglages peuvent être changés. Consultez la section Réglage des contrôles pour de plus amples renseignements.)

Étape 4



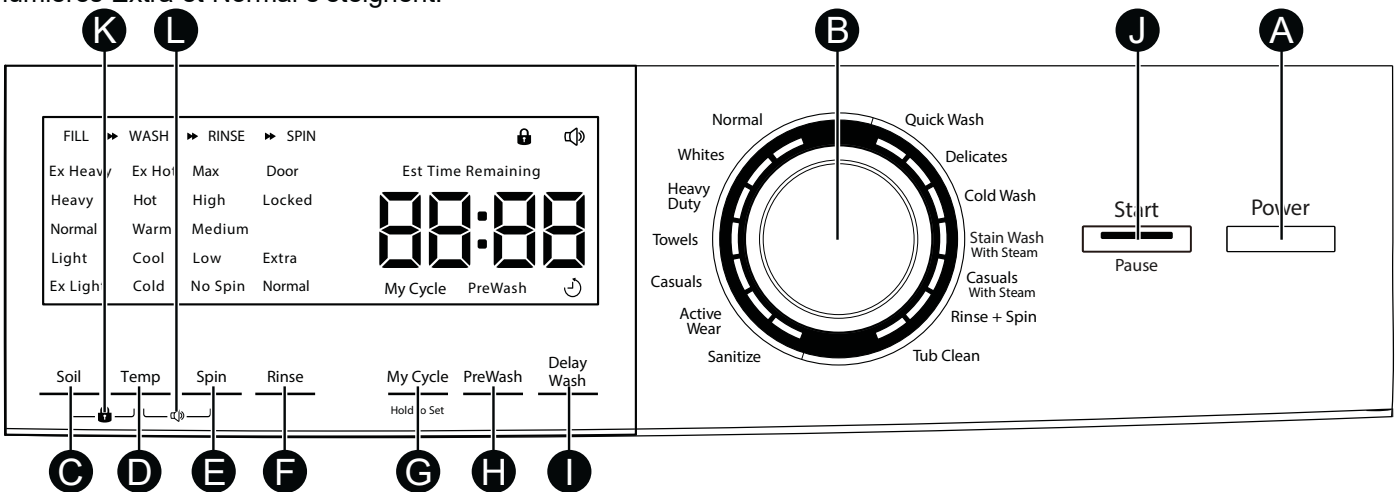
- Si vous avez choisi un cycle de lavage, appuyez sur le bouton Start/Pause (Départ/Pause).

Affichage et voyants d'état

L'affichage indique l'état du (FILL ► WASH ► RINSE ► SPIN), la durée estimée restante jusqu'à la fin du cycle et les options sélectionnées. De plus, l'affichage montrera:

	Verrouillage des commandes.
	Sonnerie de fin de cycle activée.
	Indique que la fonction Delay Wash (Mise en lavado différée) est activée.

NOTE : Si une condition de déséquilibre est détectée par la laveuse, le voyant d'essorage (**SPIN**) clignotera pendant le restant du cycle et restera allumé pendant une courte période de temps une fois le cycle terminé. Lorsque cela se produit, la laveuse prend des mesures pour corriger la condition de déséquilibre et terminer le cycle normalement. Dans certains cas, il est possible que la laveuse ne puisse pas être en mesure d'équilibrer la charge et essorer à pleine vitesse. Si vous remarquez que la charge est plus humide que normalement à la fin du cycle, répartissez la charge uniformément dans le panier de lavage et commencez un cycle drainage et essorage). Sélectionnez **Rinse + Spin** (Rinçage + Essorage) et désélectionnez le rinçage en appuyant sur **Rinse** (Rinçage) jusqu'à ce que les lumières Extra et Normal s'éteignent.



A Power (alimentation)

Appuyez pour activer l'affichage. Si l'affichage est actif, appuyez pour mettre la laveuse en mode d'attente.

NOTE : Vous ne débranchez pas votre appareil de l'alimentation électrique en appuyant sur **Power** (alimentation).

Comment démarrer

B Cycles de lavage

Les cycles sont optimisés pour des catégories particulières de charges de lavage. Le tableau ci-dessous vous aidera à trouver un réglage de lavage qui correspond à votre charge de lavage. Les pales élévatrices Gentle Wash™ font délicatement culbuter les vêtements dans la solution d'eau et de détergent pour les laver.

Articles à laver	Cycle	Degré saleté	Temp. Lavage	Sélection essorage	Options disponibles	Description du cycle
Cycle pour une utilisation normale, régulière ou typique pour le lavage jusqu'à une charge complète de vêtements de coton normalement sale.	Normal	Extrém. sale Très sale Normal Légèrement Extrém. Légèrement	Très chaude Chaude Tiède Frais Froide	Max Rapide Modéré Pas d'essorage	Prewash (Prélavage) Extra Rinse (Rinçage supplémentaire) Delay Wash (Lavage en différé) My Cycle (Favori)	Cycle pour une utilisation normale, régulière ou typique pour le lavage jusqu'à une charge complète de vêtements de coton normalement sale. Choisissez les options de degré de saleté Très sale ou Extrêmement sale et les températures Chaude ou Très chaude selon la charge de vêtements et le degré de nettoyage à obtenir.
Blancs et linge de maison.	Whites (Blancs)	Extrém. sale Très sale Normal Légèrement Extrém. Légèrement	Très chaude Chaude Tiède Frais Froide	Max Rapide Modéré Lent Pas d'essorage	Prewash (Prélavage) Extra Rinse (Rinçage supplémentaire) Delay Wash (Lavage en différé) My Cycle (Favori)	Cycle conçu pour laver et aviver les blancs.
Serviettes, draps, taies d'oreiller et lavettes.	Towels (Serviettes)	Extrém. sale Très sale Normal Légèrement Extrém. Légèrement	Très chaude Chaude Tiède Frais Froide	Max Rapide Modéré Lent Pas d'essorage	Prewash (Prélavage) Extra Rinse (Rinçage supplémentaire) Delay Wash (Lavage en différé) My Cycle (Favori)	Cycle conçu pour laver les serviettes, draps, taies d'oreiller et lavettes. Il est recommandé de laver les serviettes et les draps séparément pour les meilleurs résultats d'entretien et de lavage.
Tissus résistants sales à très sales.	Heavy Duty (Intensif)	Extrém. sale Très sale Normal Légèrement Extrém. Légèrement	Très chaude Chaude Tiède Frais Froide	Max Rapide Modéré Lent Pas d'essorage	Prewash (Prélavage) Extra Rinse (Rinçage supplémentaire) Delay Wash (Lavage en différé) My Cycle (Favori)	Intègre un lavage et en trempage en plusieurs étapes associées à des périodes de lavage prolongées pour nettoyer efficacement les tissus résistants sales à très sales.
Tout-aller, vêtements de travail peu sales.	Casuals (Tout-Aller)	Extrém. sale Très sale Normal Légèrement Extrém. Légèrement	Très chaude Chaude Tiède Frais Froide	Max Rapide Modéré Lent Pas d'essorage	Prewash (Prélavage) Extra Rinse (Rinçage supplémentaire) Delay Wash (Lavage en différé) My Cycle (Favori)	Cycle de lavage adapté au tout-aller et aux vêtements de travail.
Vêtements de sport de saleté modérée à légère de tissus techniques et synthétiques.	Active Wear (Tenue active)	Extrém. sale Très sale Normal Légèrement Extrém. Légèrement	Très chaude Chaude Tiède Frais Froide	Max Rapide Modéré Lent Pas d'essorage	Prewash (Prélavage) Extra Rinse (Rinçage supplémentaire) Delay Wash (Lavage en différé) My Cycle (Favori)	Cycle conçu pour l'entretien des tenues actives, des vêtements de sport et des tissus techniques de saleté modérée à légère.
Articles de couleur foncée très sales nécessitant l'enlèvement des allergènes.	Sanitize (Désinfecter)	Extrém. sale Très sale Normal	Très chaude	Max Rapide Modéré Lent Pas d'essorage	Prewash (Prélavage) Extra Rinse (Rinçage supplémentaire) Delay Wash (Lavage en différé) My Cycle (Favori)	Utilisez ce cycle pour éliminer 99,9 % des bactéries des tissus. La température d'eau et la durée de lavage de ce cycle sont augmentées afin d'obtenir la désinfection. Un rinçage prolongé est intégré afin de retirer les contaminants. Pour les meilleurs résultats, sélectionnez l'option Extra Heavy soil (Extrêmement sale) si elle est offerte. Voir REMARQUE ci-dessous.
Pour la lingerie fine et les tissus à entretien spécial, légèrement sales.	Delicates (Déliçats)	Extrém. sale Très sale Normal Légèrement Extrém. Légèrement	Tiède Frais Froide	Rapide Modéré Lent Pas d'essorage	Prewash (Prélavage) Extra Rinse (Rinçage supplémentaire) Delay Wash (Lavage en différé) My Cycle (Favori)	Pour les articles étiquetés lavage à la main peu sales. Assure un trempage et un culbutage délicats pendant le lavage et le rinçage.

Comment démarrer

B Cycles de lavage - Suite

Articles à laver	Cycle	Degré saleté	Temp. Lavage	Sélection essorage	Options disponibles	Description du cycle
Petites charges d'articles légèrement sales dont on a un besoin pressant.	Quick Wash (Lavage Rapide)	Extrém. sale Très sale Normal Légèrement Extrém. Légèrement	Chaude Tiède Frais Froide	Max Rapide Modéré Lent Pas d'essorage	Prewash (Prélavage) Extra Rinse (Rinçage supplémentaire) Delay Wash (Lavage en différé) My Cycle (Favori)	Pour laver les brassées légèrement sales le plus rapidement possible. La durée du cycle est d'environ 33 minutes, selon les options choisies.
Cycle de lavage pour une charge complète de vêtements de coton normalement sale dans l'eau froide.	Cold Wash (Lavage à froid)	Extrém. sale Très sale Normal Légèrement Extrém. Légèrement	Frais Froide	Max Rapide Modéré Lent Pas d'essorage	Prewash (Prélavage) Extra Rinse (Rinçage supplémentaire) Delay Wash (Lavage en différé) My Cycle (Favori)	Cycle de lavage pour une charge complète de vêtements de coton normalement sale dans l'eau froide. Ce cycle utilise uniquement de l'eau froide et prolonge le temps de lavage pour obtenir des vêtements propres.
Cycle pour du linge grand-teint très sale.	Stain Wash with Steam	Extrém. sale Très sale Normal Légèrement Extrém. Légèrement	Très chaude Chaude Tiède Frais Froide	Max Rapide Modéré Lent Pas d'essorage	Prewash (Prélavage) Extra Rinse (Rinçage supplémentaire) Delay Wash (Lavage en différé) My Cycle (Favori)	Ajoutez la vapeur à la laveuse pour une meilleure élimination des tâches sur un linge grand-teint très sale.
Cycle pour le tout-aller très sale	Casuals with Steam (Tout-aller avec vapeur)	Extrém. sale Très sale Normal Légèrement Extrém. Légèrement	Très chaude Chaude Tiède Frais Froide	Max Rapide Modéré Lent Pas d'essorage	Prewash (Prélavage) Extra Rinse (Rinçage supplémentaire) Delay Wash (Lavage en différé) My Cycle (Favori)	Ajoutez la vapeur à la laveuse pour une meilleure élimination des tâches sur un linge tout-aller et des vêtements de travail très sales.
Pour les articles qui n'ont besoin que de rinçage, utilisez ce cycle.	Rinse + Spin (Rinçage + Essorage)			Max Rapide Modéré Lent Pas d'essorage	Prewash (Prélavage) Extra Rinse (Rinçage supplémentaire) Delay Wash (Lavage en différé) My Cycle (Favori)	Pour rincer et essorer rapidement tout article à tout moment. Utilisez un essorage à haute vitesse pour extraire l'eau des articles mouillés. Pour obtenir une vidange et un essorage, désélectionnez l'option Extra Rinse (Rinçage supplémentaire). Ce cycle va distribuer de détergent de pré-lavage et d'assouplissant.
Nettoyage du tambour pour éliminer les résidus et les odeurs. Aucun vêtement à laver avec ce cycle.	Tub Clean (Nettoyage du tambour)					Utilisation recommandée au moins une fois par mois pour nettoyer la cuve des résidus et des odeurs. Ne chargez jamais de vêtements avec ce cycle, cela pourrait les endommager. Ce cycle intègre un lavage prolongé à température élevée, une agitation intense et une vidange par pompe.

REMARQUE : Les températures de l'eau du cycle **Sanitize NE** peuvent pas être changées. Les cycles **Sanitize** sont certifiés par NSF International, une organisation tierce indépendante de testage et certification.

La certification **Sanitize** a vérifié que le cycle réduit 99,9% des bactéries habituellement trouvées dans la lessive résidentielle et qu'aucune contamination importante est transférée aux charges suivantes. Seulement le cycle **Sanitize** a été conçu pour répondre aux exigences du Protocole NSF P172 pour une désinfection efficace.



Protocole NSF P172
Rendement de désinfection de laveuses
résidentielles et commerciales, de taille familiale



Soil

Soil (Saleté)

En changeant le niveau de saleté, vous augmentez ou diminuez la durée de lavage pour enlever divers montants de saleté.

Pour changer le niveau de saleté, appuyez sur le bouton **Soil (Saleté)** jusqu'au réglage désiré. Vous pouvez choisir entre Extra Light (Très Peu Sale), Light (Peu Sale), Normal (Normal), Heavy (Très Sale) ou Extra Heavy (Extrêmement Sale).

Comment démarrer

D Temp

Temp (Température)

Ajustez pour choisir la bonne température de l'eau pour le cycle de lavage. L'eau de prélavage et de rinçage est toujours froide pour réduire l'utilisation d'énergie et diminuer la fixation des taches et les froissements.

Suivez l'étiquette du fabricant pour choisir la température de lavage.

Pour changer la température de lavage, appuyez sur le bouton **Temp** (température de lavage) jusqu'au réglage désiré. Vous pouvez choisir entre Cold (Froide), Cool (Cool), Warm (Tiède), Hot (Chaude) ou Extra Hot (Extra Chaud).

E Spin

Spin (Essorer)

En changeant le réglage d'essorage, vous changez la vitesse de l'essorage final des cycles. Suivez toujours les instructions de l'étiquette du vêtement pour changer le réglage d'essorage.

Pour changer le réglage d'essorage, appuyez sur le bouton **Spin** (Réglage d'essorage) jusqu'au réglage désiré. Vous pouvez choisir entre No Spin (pas d'essorage), Low (Lent), Medium (Modéré), High (Rapide) ou Max (Max). Les vitesses d'essorage les plus rapides ne sont pas offertes pour certains cycles, comme le cycle délicats.

Les vitesses d'essorage plus rapides enlèvent plus d'eau des vêtements, et aident à réduire le temps de séchage, mais augmentent également la possibilité de froisser certains tissus.

F Rinse

Rinse (Rinçage)

L'option **Rinse** (Rinçage) permet de modifier le nombre de rinçages qui seront utilisés par un cycle. Pour modifier cette option, appuyez sur **Rinse** (Rinçage) jusqu'à obtenir le réglage désiré. Vous pouvez choisir entre Normal (Normal), Extra (Supplémentaire) et aucun rinçage. Pour sélectionner aucun rinçage, appuyez sur le bouton **Rinse** (Rinçage) jusqu'à ce que tous les témoins lumineux soient éteints dans la fenêtre Rinse.

Lors du cycle **Rinse+Spin** (Rinçage+Essorage), un cycle de vidange et d'essorage peut être réalisé en sélectionnant le sans rinçage.

G My Cycle

Hold to Set

My Cycle (Favori)

Pour sauvegarder un cycle favori, choisissez le réglage désiré pour le cycle de lavage, le degré de souillure, la vitesse d'essorage et la température de l'eau et appuyez sur le bouton **My Cycle** (Favori) pendant 3 secondes. Un signal sonore se fait entendre pour indiquer que le cycle est sauvegardé.

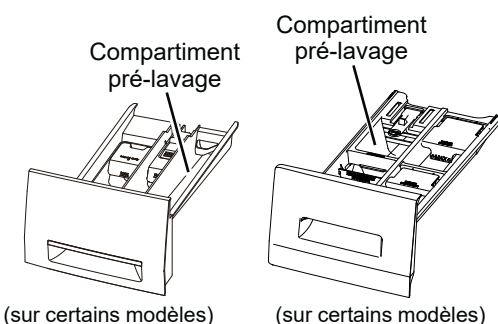
Pour utiliser votre cycle personnalisé, appuyez sur le bouton **My Cycle** (Favori) avant de laver une charge.

Pour changer le cycle sauvegardé, choisissez le réglage désiré et appuyez sur le bouton **My Cycle** (Favori) pendant 3 secondes.

NOTE : Quand vous utilisez **My Cycle** (Favori), vous ne pouvez pas modifier les options de lavage une fois que le cycle a commencé.

NOTE : Si vous changez les options de lavage avec **My Cycle** (Favori) avant le début du cycle, le voyant **My Cycle** (Favori) s'éteindra et vous reviendrez au cycle de base.

H PreWash



PreWash (Pré-lavage)

Prélavage est un lavage supplémentaire avant le lavage principal. Utilisez-le pour les vêtements très sales ou pour les vêtements dont l'étiquette recommande un prélavage avant le lavage. Assurez-vous d'ajouter du détergent liquide ou en poudre à rendement élevé ou le bon additif de lavage au distributeur de prélavage.

La fonction de **PreWash** (Pré-lavage) déclenche les étapes suivantes : remplissage de la laveuse avec de l'eau (ajout du détergent de prélavage), culbutage des vêtements, évacuation et essorage. Ensuite, la laveuse exécute le cycle de lavage sélectionné.

NOTE : Le **PreWash** (Pré-lavage) n'est pas automatiquement sélectionné et doit l'être avant de démarrer le cycle.

Comment démarrer

I **Delay Wash**

Delay Wash (Lavage en différé)

Pour différer le démarrage de votre laveuse.

1. Choisissez votre cycle de lavage et toute option.
2. Appuyez sur le bouton **Delay Wash** (Lavage en différé). Vous pouvez changer la durée du délai par incréments de 1 heure (jusqu'à 24 heures) à chaque pression du bouton **Delay Wash** (Lavage en différé). Relâchez le bouton lorsque la durée voulue est affichée.
3. Appuyez sur le bouton **Start/Pause** (Départ/Pause) pour lancer le décompte.

Le décompte apparaîtra dans l'affichage **Est Time Remaining** (Estimated Time Remaining - Estimation du Temps Restant).

NOTES :

- Si la porte est ouverte alors que la laveuse est en mode **Delay Wash** (Lavage en différé), le compte à rebours va s'interrompre et l'affichage indiquera « Door » (Porte). Il est nécessaire de fermer la porte et d'appuyer sur le bouton **Start/Pause** (Mise en marche/ Pause) pour remettre le compte à rebours en marche.
- Vous pouvez retarder la mise en marche d'un cycle de lavage jusqu'à 24 heures. Le voyant sur le bouton s'allume lorsque **Delay Wash** (Lavage en différé) est activé.

J **Start**

Start/Pause (Départ/Pause)

Appuyez pour mettre en marche un cycle de lavage. Si la laveuse fonctionne, vous l'arrêtez en appuyant une fois et déverrouillez la porte. Cette fonction peut être utilisée pour ajouter des vêtements durant un cycle. Appuyez à nouveau pour remettre en marche le cycle de lavage.

NOTE : En arrêtant la laveuse et en ne remettant pas en marche le cycle dans les 15 minutes qui suivent, vous annulez le cycle de lavage actuel.

NOTE : Dans certains cycles, la laveuse évacuera l'eau d'abord, puis déverrouillera la porte à la pause.

NOTE : La laveuse procède à des vérifications automatiques du système une fois que vous avez appuyé sur le bouton **Start/Pause** (Départ/Pause). L'eau se mettra à couler dans un délai de 45 secondes ou moins. Vous entendrez peut-être la porte se verrouiller et se déverrouiller avant que l'eau ne coule; ceci est normal.

K **Soil Temp**

Lock (Verrouillage)

Vous pouvez verrouiller les contrôles pour empêcher tout choix de cycle, ou vous pouvez verrouiller les contrôles après avoir commencé un cycle.

Les enfants ne peuvent pas mettre accidentellement en marche la laveuse en appuyant sur des touches quand vous choisissez cette option.

Pour verrouiller les contrôles de la laveuse, maintenez enfoncés les boutons **Soil** (Saleté) et **Temp** (Température) simultanément pendant 3 secondes.

Pour déverrouiller les contrôles de la laveuse, maintenez enfoncés les boutons **Soil** (Saleté) et **Temp** (Température) simultanément pendant 3 secondes. Un son retentit pour indiquer l'état verrouillé/déverrouillé.

L'icône de contrôle de verrouillage de l'affichage s'allume quand il est branché.

NOTE : Vous pouvez encore utiliser le bouton **Power** (Alimentation) quand la machine est verrouillée.

L **Temp Spin**

Signal (Sonnerie)

Lorsque le voyant est à marche, la sonnerie émettra un bip à la fin du cycle et à chaque fois que vous appuierez sur un bouton sur le panneau de commande.

Pour éteindre la sonnerie, appuyez et maintenez appuyées les touches **Temp** (Temp) et **Spin** (Essorer) simultanément pendant 3 secondes. Un bip sonore vous indiquera l'état de verrouillage ou de déverrouillage.

Comment démarrer

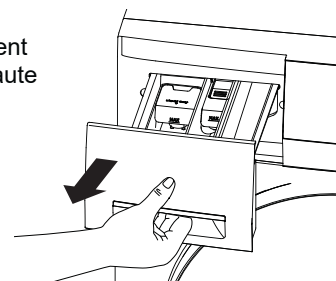
Tiroir distributeur

Ouvrez lentement le tiroir distributeur en le tirant jusqu'à son arrêt final.

Après avoir ajouté vos produits de lavage, fermez lentement le tiroir distributeur. Si vous fermez le tiroir trop vite, vous risquez de distribuer l'adoucissant ou le détergent trop tôt.

Vous pouvez voir de l'eau dans le compartiment d'adoucissant à la fin du cycle. C'est occasionné par l'action de vidange/siphonnage et cela fait partie du fonctionnement normal de la laveuse.

Utilisez seulement le détergent à haute efficacité HE



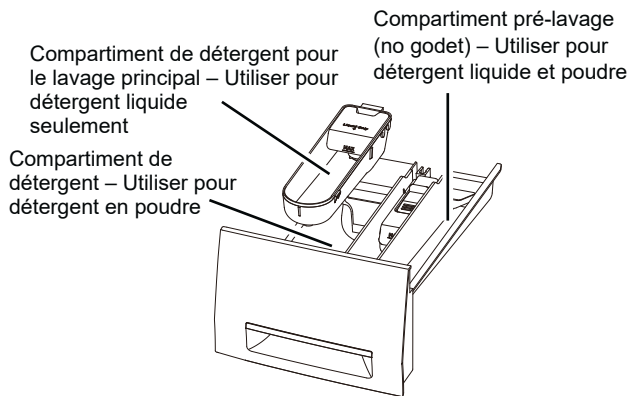
Compartiment de détergent

- **Mettez seulement du détergent à haute efficacité dans la laveuse. Mesurez la quantité recommandée par le fabricant du détergent. NE PAS remplir au-dessus de la ligne MAX.**
- Le détergent est évacué du distributeur au début du cycle de lavage. On peut utiliser du détergent en poudre ou du détergent liquide haute efficacité.
- Vous devez peut-être ajuster l'utilisation du détergent à la température de l'eau, à la dureté de l'eau, à la taille et au niveau de saleté de la charge. Évitez d'utiliser trop de détergent dans votre laveuse car cela peut provoquer des traces de détergent et de mousse sur les vêtements.

Système de la tasse et de la cavité du tiroir (certains modèles)

Le compartiment de détergent est du **côté gauche** du tiroir distributeur. La cavité à détergent (godet retiré) est utilisée pour le détergent en poudre et le godet à détergent pour le détergent liquide.

- **Détergent en poudre** – Sortez le godet à détergent liquide et versez la quantité de détergent en poudre suggérée dans la cavité à détergent.
- **Détergent liquide** – Laissez le godet à détergent dans le tiroir et versez le détergent liquide dans le godet. Ne remplissez pas au-dessus de la ligne MAX.

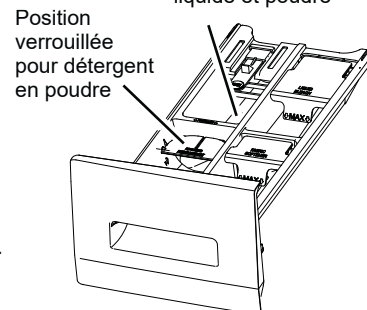


Système du séparateur du tiroir (certains modèles)

Le compartiment de détergent est à **l'avant du côté gauche** du tiroir distributeur.

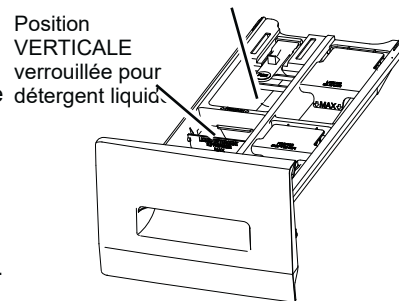
- **Détergent en poudre** – Verrouillez la carte de détergent dans sa position supérieure dans le compartiment. Assurez-vous que la carte soit verrouillée, puis versez la quantité suggérée de détergent en poudre dans le distributeur de détergent.

Compartiment pré-lavage (no godet) – Utiliser pour détergent liquide et poudre



- **Détergent liquide** – Verrouillez verticalement la carte de détergent dans sa position centrale compartiment. Assurez-vous que la carte soit verrouillée, puis versez la quantité de détergent liquide suggérée dans le distributeur de détergent.

Compartiment pré-lavage (no godet) – Utiliser pour détergent liquide et poudre



Compartiment d'adoucissant

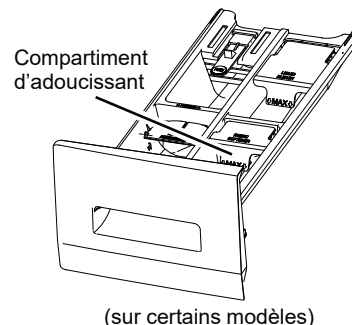
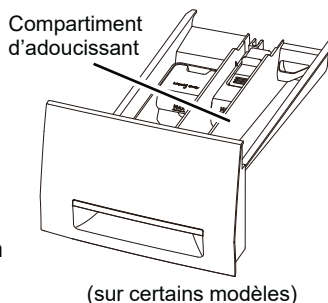
Si vous le désirez, versez le montant recommandé d'adoucissant liquide dans le compartiment étiqueté FABRIC SOFTENER (adoucissant).

N'utilisez que de l'adoucissant liquide dans le distributeur.

Diluez avec de l'eau jusqu'à la ligne maximum de remplissage.

Ne dépassez jamais la ligne maximum de remplissage. Si vous mettez trop d'adoucissant, cela risque de provoquer une distribution prématurée d'adoucissant, qui peut tacher vos vêtements.

NOTE : Ne mettez jamais d'adoucissant directement dans la charge à laver.



Chargement

Respectez toujours l'étiquette d'entretien du fabricant lors de la lessive.

Tri du linge

Triez le linge par couleur (blancs, clairs, couleurs), degré de saleté, type de tissu (coton robuste, tissu à entretien facile, tissu délicat) et en fonction de la charpie qu'il produit (tissu éponge, tissu chenille) ou qu'il ramasse (velvétine, velours côtelé). Lavez les articles qui génèrent de la charpie, tels que les serviettes de coton et les bas, séparément des articles qui la collectent, par exemple les vêtements synthétiques et les pantalons habillés.

⚠ AVERTISSEMENT - Risque d'incendie

NE lavez **PAS** les tissus contaminés avec des liquides inflammables ou des solvants de nettoyage.

Aucune laveuse ne peut éliminer l'huile totalement.

NE lavez ou séchez **RIEN** qui a été trempé ou éclaboussé avec tout type d'huile (y compris les huiles de cuisson).

NE mettez **PAS** à la main dans la machine à laver jusqu'à ce que toutes les pièces mobiles soient arrêtées.

Cela peut entraîner la mort, une explosion, un incendie ou une amputation.

Chargement de la laveuse

Vous pouvez charger complètement le tambour de lavage en ajoutant les articles lachement.

Pour ajouter des articles après avoir mis en marche la laveuse, appuyez sur **Start/Pause** (Mise en marche/ Pause) et attendez que la porte soit déverrouillée. La laveuse peut prendre jusqu'à 30 secondes pour déverrouiller sa porte après que vous ayez appuyé sur **Start/Pause** (Mise en marche/ Pause), selon les conditions. N'essayez pas de forcer la porte pour l'ouvrir quand elle est verrouillée. Quand la porte est déverrouillée, ouvrez doucement. Ajoutez les articles, refermez la porte et appuyez sur **Start/Pause** (Mise en marche/ Pause) pour remettre en marche.

Vous pouvez charger complètement le tambour de lavage en ajoutant les articles lachement.

Exemples de brassées

VÊTEMENTS DE TRAVAIL	LINGE DE MAISON	BRASSÉES MIXTES	TISSUS DÉLICATS*	LAVAGES RAPIDES (2 à 3 vêtements)
3 Jeans 3 chemises de travail 2 pantalons de travail	1 drap de bain 6 serviettes de bain/ 8 débarbouillettes 4 essuie-mains/ 1 tapi de baignoire en tissu éponge OU 1 drap plat format grand lit 1 drap-housse format grand lit 2 taies d'oreiller	2 taies d'oreiller 1 essuie-main 1 drap plats 1 drap-housse 2 serviettes de bain/ 2 débarbouillettes OU 4 chemises (homme ou femme) 3 pantalons (kakis ou tissus croisés) 3 tee-shirts 4 boxeurs 2 caleçons OU 4 tee-shirts 2 pantalons molletonnés 2 pulls molletonnés 1 kangourou 5 paires de bas	4 soutiens-gorge 4 culottes 2 slips 1 camisole 3 chemises de nuit *On recommande de placer les petits articles dans un sac en filet de nylon.	2 chemises sport 1 pantalon sport OU 3 uniformes de soccer

Entretien et nettoyage

Flexibles d'alimentation d'eau

Les Flexibles d'alimentation d'eau connectant la laveuse au robinet devraient être remplacés tous les cinq ans.

Extérieur

Essuyez immédiatement tout débordement. Essuyez avec un linge humide. Essuyez ou époussetez les renversements ou les produits de lavage avec un linge humide. Le panneau de commande et le fini de la laveuse peuvent être endommagés par certains détachants et produits de prétraitement. Appliquez ces produits à l'écart de la laveuse. Le tissu peut ensuite être lavé et séché normalement. Les dommages à votre laveuse causés par ces produits ne sont pas couverts par votre garantie. Ne frappez jamais la surface avec des objets aiguisés.

Intérieur

Séchez autour de l'ouverture de la porte de la laveuse, du joint flexible (y compris les tuyaux) et de la porte en verre. Ces surfaces doivent être toujours propres pour assurer que le joint soit bien imperméable.

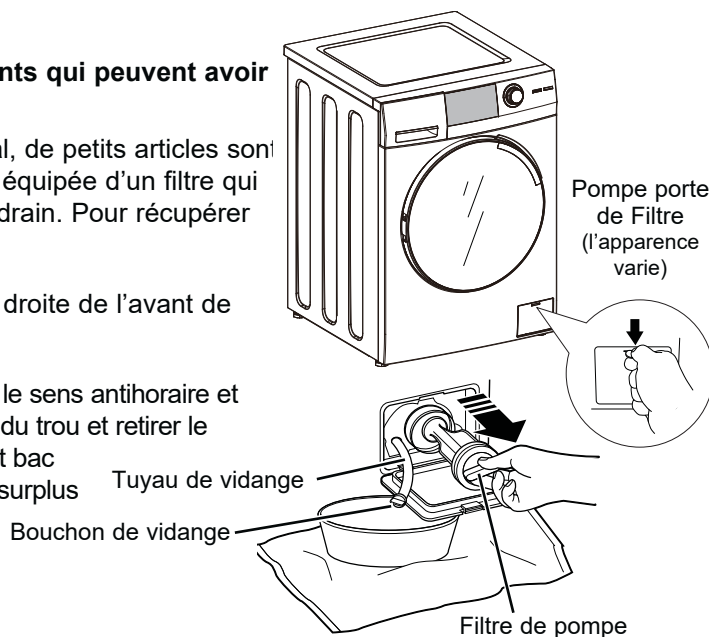
Il est recommandé de rincer la machine à laver au moins une fois par mois avec 1 tasse (250 ml) d'eau de javel (ou tout autre produit disponible dans le commerce fabriqué à cet effet, tel que le nettoyant pour laveuse Tide®) versée directement dans le panier sans vêtements et en utilisant le cycle **Tube Clean** (Nettoyage de la Cuve).

Filtre de la pompe

Nettoyez CHAQUE MOIS pour enlever tous les éléments qui peuvent avoir été pris dans le filtre ou dans le boîtier.

Étant donné la nature d'une laveuse à chargement frontal, de petits articles sont susceptibles d'être aspirés par la pompe. La laveuse est équipée d'un filtre qui retient les articles perdus lorsqu'ils sont évacués vers le drain. Pour récupérer les articles perdus, nettoyez le filtre de pompe.

- 1 Ouvrez en l'écartant la porte dans la partie inférieure droite de l'avant de l'appareil.
- 2 Tournez le petit capuchon blanc d'un quart de tour dans le sens antihoraire et décrochez le petit tuyau en caoutchouc. Sortez le tuyau du trou et retirez le bouchon blanc du tuyau de vidange au-dessus d'un petit bac pour récupérer l'eau qui pourrait s'évacuer. Vidangez le surplus d'eau. Remplacez.
- 3 Dévissez le filtre de la pompe. Rincez les débris. Remplacez.
- 4 Fermez la porte d'accès.

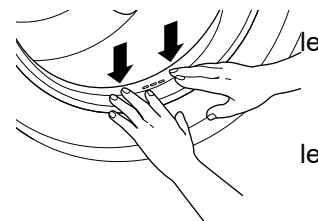


Joint d'étanchéité de la porte

Ouvrez la porte de la laveuse. Avec les deux mains, poussez le joint d'étanchéité vers le bas. Enlevez tout objet étranger qui pourrait se trouver dans le joint. Assurez-vous que rien ne bloque les orifices derrière le joint.

Tout en maintenant le joint en position basse, inspectez-en l'intérieur en tirant vers le bas avec les doigts. Enlevez tout objet étranger qui pourrait se trouver dans le joint. Assurez-vous que rien ne bloque les orifices derrière le joint.

Une fois le nettoyage terminé, retirez vos mains et les joints retourneront à ses positions normales.

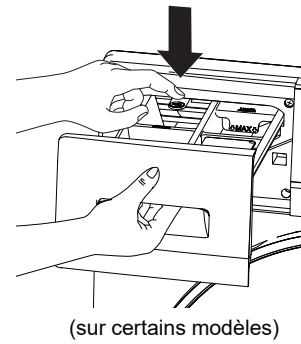
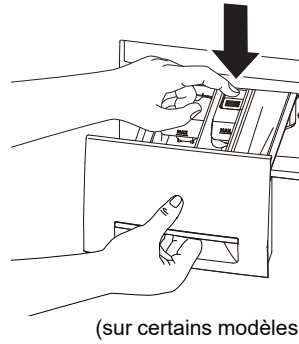


Entretien et nettoyage

Emplacement du tiroir distributeur

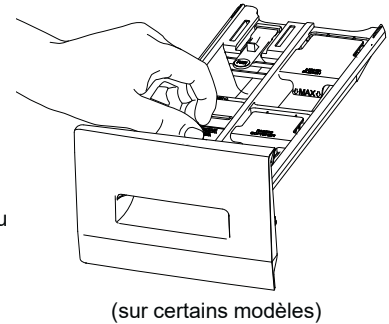
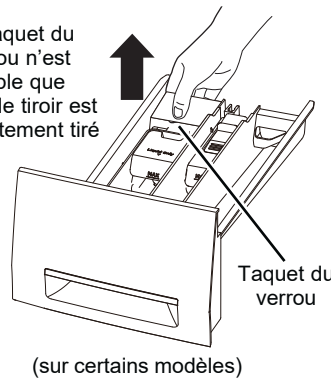
Le détergent et l'adoucisseur peuvent s'amasser dans le tiroir distributeur. Il faut enlever ces résidus une ou deux fois par mois.

- Enlevez le tiroir en le tirant d'abord jusqu'à ce qu'il s'arrête. Puis atteignez le centre arrière de la cavité du tiroir et appuyez fermement sur la patte de verrouillage, en tirant le tiroir.

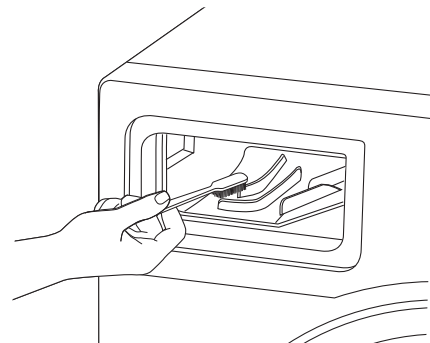


- Retirez toutes les tasses et les insertions du tiroir distributeur. Rincez à l'eau chaude les insertions, les tasses et le tiroir pour faire disparaître les traces de produits de lavage qui se sont accumulées.

Le taquet du verrou n'est visible que quand le tiroir est complètement tiré



- Pour nettoyer l'ouverture du tiroir, utilisez une petite brosse pour l'intérieur. Enlevez tout résidu en haut et en bas de l'intérieur.
- Remettez les insertions dans leur bon compartiment. Remettez en place le tiroir de distribution.
- Pour réduire l'accumulation dans le tiroir de distribution :



Utilisez seulement un détergent à haute efficacité HE.



Déménagement et rangement

Demandez au technicien de service d'enlever l'eau de la pompe et des tuyaux de vidange. Ne rangez jamais la laveuse dans un endroit où elle est exposée au mauvais temps. Quand vous déménagez la laveuse, vous devez immobiliser le bassin de lavage en utilisant les boulons d'expédition enlevés pendant l'installation. Consultez les Instructions d'installation dans ce manuel. Si vous n'avez pas ces pièces, vous pouvez les commander en visitant notre site web à l'adresse Electromenagersge.ca/fr/produits/filtres-et-accessoires ou en appelant le numéro de téléphone 800.661.1616.

Longues vacances

Assurez-vous de fermer tous les robinets d'alimentation de l'eau. Vidangez toute l'eau des tuyaux si la température risque de descendre en dessous de celle de gel.

Instructions d'installation

Laveuse




Des questions? Appelez le 800.561.3344 ou Visitez notre site Web à l'adresse : electromenagersge.ca

AVANT DE COMMENCER

Lisez ces instructions entièrement et soigneusement.

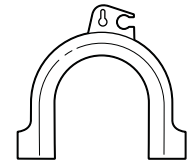
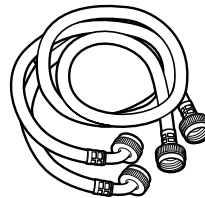
- **IMPORTANT** — Conservez ces instructions pour l'inspecteur local.
- **IMPORTANT** — Observez tous les codes et les ordonnances en vigueur.
- **Note à l'installateur** — Assurez-vous de laisser ces instructions au consommateur.
- **Note au consommateur** — Conservez ces instructions à titre de référence.
- **Niveau de compétences** — L'installation de cet appareil électroménager nécessite des compétences mécaniques et électriques de base.
- **Temps d'installation** — 1-3 heures
- L'installateur est responsable de bien installer cet appareil.
- Toute panne de produit due à une mauvaise installation n'est pas couverte par la garantie.

OUTILS NÉCESSAIRES POUR INSTALLER LA LAVEUSE

- Niveau 
- Clé (fournie) 
- Pince multiprise à crémaillère 

PIÈCES FOURNIES

- Flexibles d'eau (2)
(Rondelles plates préinstallées)
- Guide de tuyau



EMPLACEMENT DE VOTRE LAVEUSE

N'installez jamais votre laveuse :

1. Dans un endroit exposé à de l'eau qui coule ou aux conditions climatiques extérieures. La température ambiante ne doit jamais être inférieure à 15,6°C (60°F) pour que la laveuse fonctionne bien.
2. Dans un endroit où elle entre en contact avec des tentures ou des rideaux.
3. Sur un tapis. Le sol **DOIT** être une surface dure avec une pente maximum de 1,27 cm per 30 cm (1/2 pouce par pied). Pour vous assurer que la laveuse ne vibre pas ou ne bouge pas, il est possible que vous deviez renforcer le plancher.

REMARQUE : Si le plancher est en mauvais état, utilisez une feuille de contreplaqué traité de 3/4 po. fixé solidement à la couverture de plancher actuelle.

IMPORTANT:

Espaces libres minimum pour l'installation

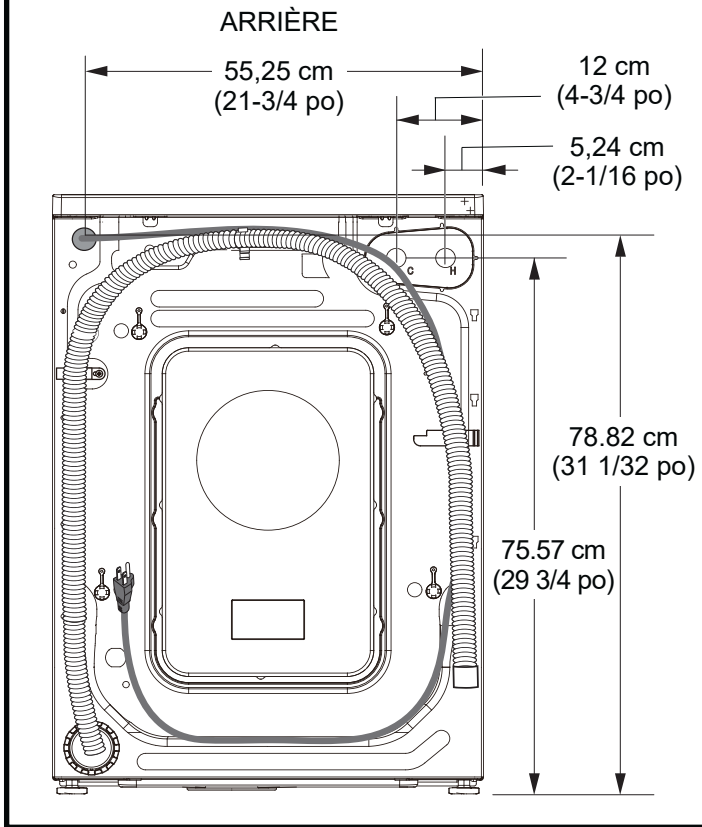
- Installation dans une alcôve : Côtés/Arrière = 0 cm et Haut = 2,54 cm (1 po.)
- Installation dans un placard : Côtés/Arrière = 0 cm et Haut/Avant = 2,54 cm (1 po.)
- Il faut veiller à procurer le dégagement nécessaire à l'installation et aux interventions de service.
- Les portes du placard doivent être perforées ou bien ventilées et disposer d'au moins 387,1 cm² (60 pouces carrés) d'espace. Si le placard abrite une laveuse et une sècheuse, les portes doivent disposer de 774,2 cm² (120 pouces carrés) au minimum d'espace ouvert.

INSTALLATION EN MAISON MOBILE :

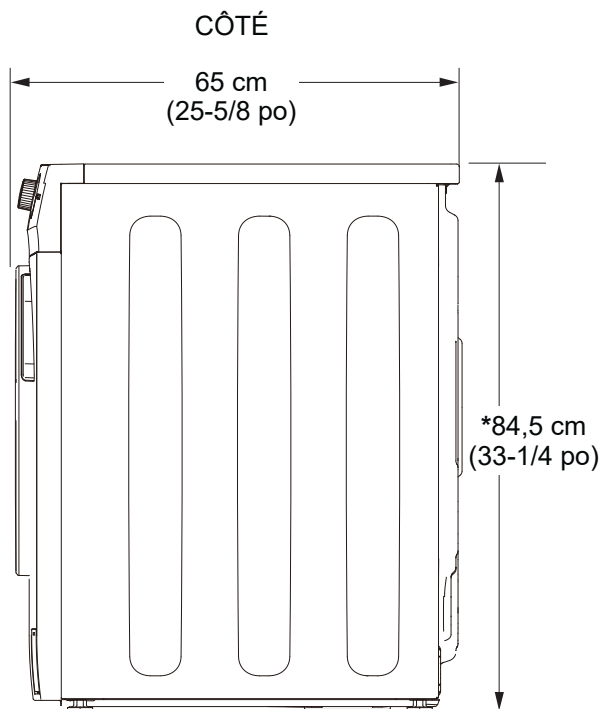
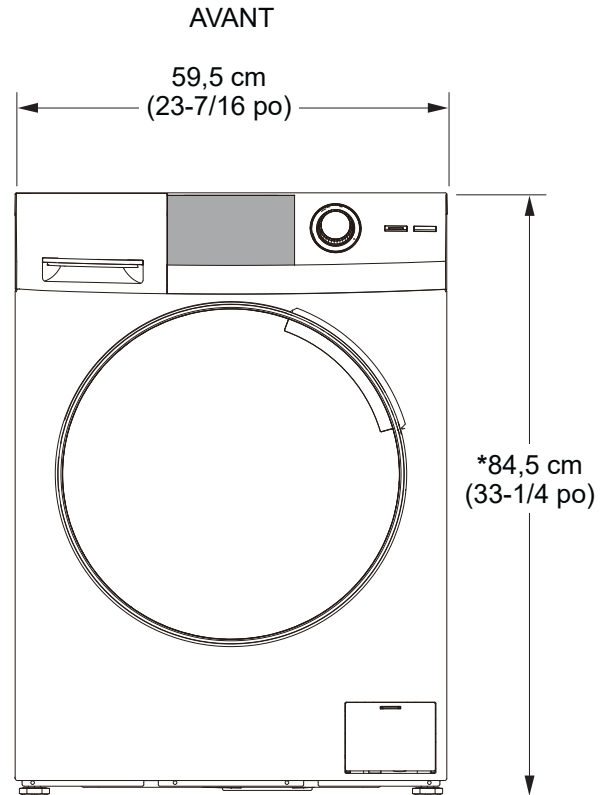
L'installation doit satisfaire les normes suivantes : Standard for Mobile Homes, ANSI A119.1 et National Mobile Home Construction and Safety Standards Act of 1974 (PL93-383).

Instructions d'installation

DIMENSIONS DE CONNEXION



DIMENSIONS APPROXIMATIVES



*NOTE :

Pieds de nivellement rétractés = 84,5 cm (33-1/4 po)

Pieds de nivellement sortis = 85,5 cm (33-3/4 po)

Superposé = 66-1/2" (169 cm)

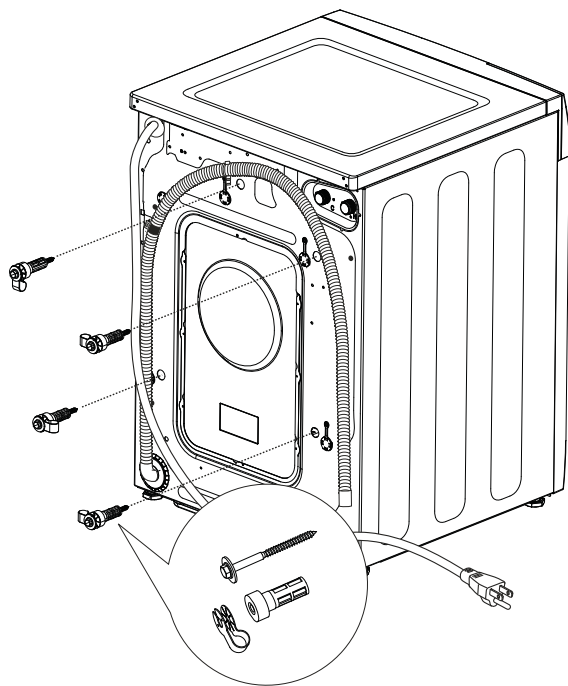
Instructions d'installation

DÉBALLAGE DE VOTRE LAVEUSE

▲ AVERTISSEMENT Recyclez ou détruisez le carton et les sacs en matière plastique après avoir déballé votre laveuse. Mettez ces matériaux hors de la portée des enfants. Les enfants peuvent être tentés de les utiliser pour jouer. Les cartons recouverts de tapis, de couve-lit, ou de drap en matière plastique peuvent devenir des chambres hermétiquement closes risquant d'étouffer des enfants.

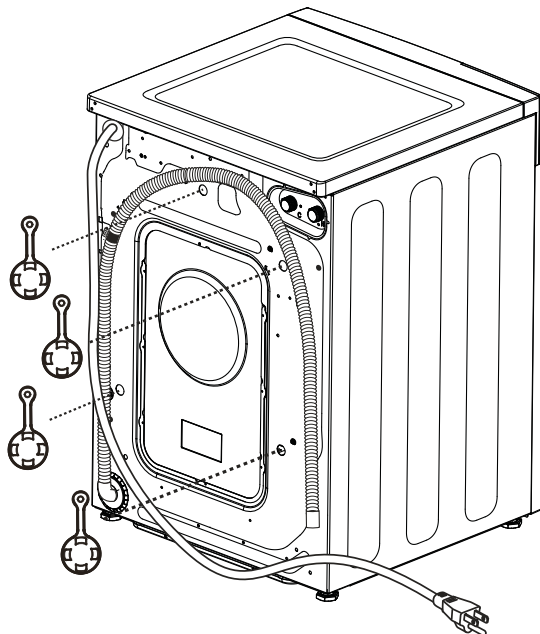
1. Coupez et enlevez toutes les sangles d'emballage.
2. Alors qu'elle est dans le carton, posez avec soin la laveuse sur son côté. **NE LAISSEZ JAMAIS** reposer la laveuse sur son avant ou son arrière.
3. Tournez vers le bas les rebords du bas—enlevez tout l'emballage de base, y compris la base en styrofoam.
4. Remettez soigneusement la laveuse debout et enlevez le carton.
5. Amenez soigneusement la laveuse à moins de 4 pieds (122 cm) de son emplacement final.
6. Enlevez les pièces suivantes de l'arrière de la laveuse :
4 boulons
4 bagues en matière plastique (y compris les anneaux en caoutchouc)

NOTE : NE retirez PAS la vis ou le clip tenant le tuyau.



DÉBALLAGE DE VOTRE LAVEUSE (suite)

7. Insérez les capuchons des trous de boulons d'expédition dans les trous des boulons d'expédition.



NOTES :

- Si vous n'enlevez pas les cales d'expédition, vous risquez de déséquilibrer sérieusement la laveuse.
- **IMPORTANT :** Conservez tous les boulons pour un usage futur.

Si vous devez transporter la laveuse à une date future, vous devez remettre en place la quincaillerie de soutien d'emballage pour éviter tout dommage pendant le transport. Conservez la quincaillerie dans le sac en matière plastique fourni.

Instructions d'installation

EXIGENCES ÉLECTRIQUES

⚠ AVERTISSEMENT - Risque d'électrocution

Brancher à une prise de courant à 3 broches mise à la terre.

NE PAS retirer la broche de contact de mise à la terre.

N'UTILISEZ pas de rallonge électrique.

N'UTILISEZ pas d'adaptateur de prise.

Le non-respect de ces instructions pourrait entraîner un décès, un incendie ou un choc électrique.

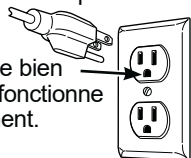
CIRCUIT - Individuel, correctement polarisé et mis à la terre, disjoncteur ou fusible temporisé de 15 ou 20 ampères.

ALIMENTATION ÉLECTRIQUE – 2 fils plus la mise à la terre, 120 volts, monophasé, 60 Hz, courant alternatif.

PRISE ÉLECTRIQUE – Prise à 3 voies correctement mise à la terre située de façon à ce que le cordon soit accessible lorsque la laveuse est installée dans sa position définitive. Si la prise n'est qu'à 2 voies, il est de la responsabilité du propriétaire de demander à un électricien agréé de la remplacer par une prise à 3 voies correctement mise à la terre.

La laveuse doit être correctement mise à la terre conformément aux codes locaux de l'électricité, ou dans l'absence de codes locaux, à la dernière édition du Code Électrique National, ANSI/NFPA NO. 70 ou au Code Électrique Canadien CSA C22.1. Demandez à un électricien agréé de vérifier la connexion si vous n'êtes pas certain que la laveuse est correctement mise à la terre.

Assurez-vous au préalable qu'une mise à la terre existe bien et qu'elle fonctionne correctement.



INSTRUCTIONS DE MISE À LA TERRE

Cet appareil doit être mis à la terre. Dans l'éventualité d'un mal fonctionnement ou d'une panne, la mise à la terre réduit le risque de choc électrique en procurant un circuit de moindre résistance au courant électrique. Cet appareil comporte un cordon doté d'un conducteur de mise à la terre de l'appareillage et d'une fiche de mise à la terre. La fiche doit être branchée dans une prise compatible correctement installée et mise à la terre conformément à tous les codes et règlements en vigueur.

⚠ AVERTISSEMENT Une connexion incorrecte du conducteur de mise à la terre de l'appareillage peut poser un risque de choc électrique. Consultez un électricien ou réparateur qualifié si vous doutez que l'appareil soit correctement mis à la terre. **NE** modifiez **PAS** la fiche du cordon d'alimentation. Si elle ne s'insère pas dans la prise, demandez à un électricien agréé de poser une prise appropriée.

Si les codes locaux l'exigent, un fil de terre extérieur en cuivre de calibre 18 ou supérieur (non fourni) peut être ajouté. Fixer à l'enceinte de la laveuse à l'aide d'une vis à tôle #10-16 x 1/2 po (dans toute bonne quincaillerie) à l'arrière de la laveuse.

⚠ AVERTISSEMENT - Risque d'électrocution

Débranchez l'alimentation électrique avant la réparation. Remettez toutes les pièces et panneaux en place avant d'utiliser l'appareil.

L'omission de prendre ces précautions peut provoquer la mort ou l'électrocution.

⚠ AVERTISSEMENT - Risque d'électrocution

Certaines pièces internes sont intentionnellement non mises à la terre et peuvent présenter un risque de choc électrique lors d'un entretien.

Personnel de réparateur – NE PAS toucher aux composants suivants lorsque l'appareil est sous tension : Électrovanne, Pompe de vidange, NTC et Module de commande du moteur.

EXIGENCES D'ALIMENTATION D'EAU

Vous **DEVEZ** installer des robinets d'eau chaude et froide à moins de 42 pouces (107 cm) de l'entrée d'eau de votre laveuse. Les robinets **DOIVENT** être des robinets de jardin de 1,9 cm (3/4 po.), pour pouvoir brancher les tuyaux d'entrée. La pression de l'eau **DOIT** être entre 10 et 120 livres par pouce carré. Votre service d'eau peut vous indiquer votre pression d'eau. La température de l'eau chaude doit être réglée de manière à fournir de l'eau à une température de 48°C à 60°C (120°F à 140°F) pour obtenir un rendement adéquat de la commande de température automatique (ATC).

EXIGENCES DE VIDANGE

1. Une vidange capable d'éliminer 36 L (9.5 gals) par minute.

2. Un diamètre minimum de tuyau ascendant de 3,18 cm (1 1/4 po.)

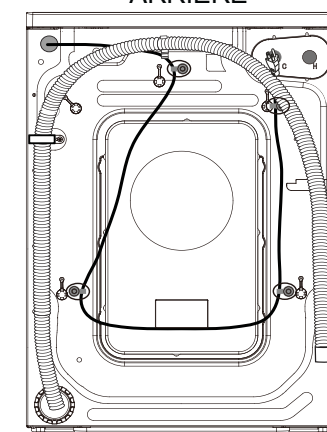
3. La hauteur du tuyau ascendant au dessus du plancher doit être la suivante :

Hauteur minimum : 91.4 cm (36 po.)

Hauteur maximum : 147 cm (58 po.)

147 cm
(58 po)
Max.

ARRIÈRE



91.4 cm
(36 po)
Min.

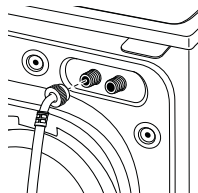
Instructions d'installation

INSTALLATION DE LA LAVEUSE

1. Faites couler un peu d'eau des robinets chaud et froid pour purger les tuyaux d'eau et enlever les particules qui peuvent boucher les tamis de robinet d'eau.
2. Enlevez les tuyaux d'entrée d'eau du sac en matière plastique. Retirez les rondelles en caoutchouc noires du sac et insérez-les dans le raccord de tuyau avant de le raccorder à l'appareil.

3. (extrémité coudée 90°)

Branchez soigneusement le tuyau d'entrée marqué HOT (chaud) à la sortie extérieure du robinet d'eau marquée H. Serrez à la main, puis serrez encore 2/3 de tour avec des pinces. Branchez soigneusement l'autre tuyau d'entrée à la sortie intérieure du robinet d'eau marquée C (froide). Serrez à la main, puis serrez encore 2/3 de tour avec des pinces. **Ne faussez pas le filetage ou ne serrez pas trop ces branchements.**



4. Branchez les extrémités du tuyau d'entrée aux robinet d'eau CHAUDE et FROIDE, en serrant légèrement à la main, puis en serrant encore 2/3 de tour avec des pinces. Ouvrez l'eau et vérifiez qu'il n'y ait pas de fuite.

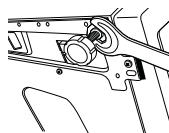


5. Amenez soigneusement la laveuse dans son emplacement final. Mettez gentilement la laveuse à sa place, en la balançant. Il est important de ne pas endommager les pattes de nivellement en caoutchouc lorsque vous déplacez la laveuse vers sa position finale. Des pattes endommagées peuvent accroître les vibrations produites par la laveuse. La vaporisation de nettoyant à vitres sur le plancher peut faciliter le déplacement de la laveuse vers sa position finale. **NOTE : Afin de réduire les vibrations, assurez-vous que les quatre pattes de nivellement reposent fermement au plancher. Poussez et tirez sur l'arrière de la laveuse du côté droit, puis du côté gauche pour ajuster les pattes.**

NOTE : N'essayez jamais de soulever la laveuse par sa porte ou par son tiroir distributeur.

NOTE : Si vous installez dans un bac de vidange, vous pouvez utiliser un 2 x 4 long de 24 po. pour bien mettre à l'horizontale la laveuse.

6. La laveuse dans son emplacement final, placez un niveau à bulle sur la laveuse (si elle est installée sous un comptoir, elle ne doit pas bouger). Ajustez les pattes de nivellement avant vers le haut ou vers le bas pour vous assurer qu'elle ne bouge pas. Tournez les contre-écrous de chaque patte vers la base de la laveuse et serrez avec une clé anglaise.

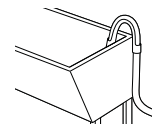
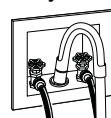


NOTE : Conservez les extensions des pattes à un minimum pour empêcher les vibrations. Plus les pattes sont tirés, et plus la laveuse vibre.

Si le plancher n'est pas bien horizontal ou est endommagé, il est possible que vous deviez allonger les pattes de nivellement arrière.

INSTALLATION DE LA LAVEUSE (suite)

7. Attachez le guide de tuyau en U à l'extrémité du tuyau de vidange. Placez le tuyau dans une cuve à lessive ou un tuyau vertical.



NOTE : Si le tuyau de vidange est placé dans un tuyau vertical sans être recourbé en U, il peut produire un effet de siphonnement. Vous devez maintenir un espace d'air libre autour du tuyau de vidange. Un tuyau ajusté peut aussi occasionner un effet de siphonnement.

NOTE : N'insérez pas l'extrémité du tuyau de vidange de plus de 18 cm (7 pouces) dans la bonde. Il est conseillé de l'insérer de 10 à 18 cm (4 à 7 pouces). Une insertion supérieure à 18 cm (7 pouces) peut également provoquer un effet de siphon.

8. Branchez le cordon d'alimentation dans une prise mise à la terre.
NOTE : Vérifiez que le courant est coupé au niveau du disjoncteur ou de la boîte à fusibles avant de brancher le cordon d'alimentation à une prise.
9. Branchez le courant au niveau du disjoncteur ou de la boîte à fusibles.
10. Lisez le reste de ce Manuel du propriétaire. Il contient des renseignements précieux et utiles qui vous feront économiser du temps et de l'argent.
11. **Avant de mettre en marche la laveuse, vérifiez que tout est en ordre :**
 - L'alimentation principale de courant est branchée.
 - La laveuse est branchée à la prise.
 - Les robinets d'eau sont ouverts.
 - L'appareil est bien horizontal et les quatre pattes de nivellement reposent fermement sur le plancher.
 - La quincaillerie de soutien pour l'expédition est enlevée et mise de côté.
 - Le tuyau de vidange est bien attaché.
 - Le robinet, les rondelles et le tuyau de vidange ne fuient pas.
12. Faites marcher la laveuse pendant un cycle complet. Vérifiez qu'il n'y a aucune fuite d'eau et qu'elle fonctionne bien.
13. Si votre laveuse ne fonctionne pas, nous vous prions de consulter la section **Conseils de Dépannage**, avant d'appeler le service.
14. Rangez ces instructions dans un emplacement proche de la laveuse pour référence future.

PIÈCES DE RECHANGE

Si vous avez besoin de pièces de rechange pour votre laveuse, vous pouvez les commander au Canada en visitant notre site web Electromenagersge.ca/fr/produits/filtres-et-accessoires ou en appelant le 800.661.1616.

Conseils de Dépannage...Avant d'appeler un réparateur

Problème	Causes possibles	Correctifs
Pas de vidange Pas d'essorage Pas de culbutage	La charge est déséquilibrée	Redistribuez les vêtements et faites un Rinse+Spin (Rinçage + Essorage). Augmentez la taille de la charge si vous lavez une petite charge contenant des articles légers et lourds.
	Le filtre de la pompe à eau est peut-être bouché	Reportez-vous Entretien et nettoyage pour le nettoyage du Filtre de la pompe .
	Le tuyau de vidange est tortillé ou mal connecté	Redressez le tuyau de vidange et assurez-vous que la laveuse n'est pas dessus.
	Le siphon d'évacuation de la maison peut être bouché	Vérifiez la plomberie de la maison. Vous pouvez avoir besoin d'appeler un plombier.
	Siphonage du tuyau de vidange; tuyau de vidange enfoncé trop bas dans le drain.	Assurez-vous qu'il y a un espace d'air entre le tuyau et le drain.
Fuite d'eau	Le joint de la porte est endommagé	Vérifiez si le joint est bien en place et s'il n'est pas déchiré. Les objets oubliés dans les poches peuvent endommager la laveuse (clous, vis, stylos, crayons). L'eau peut dégoutter de la porte lorsque celle-ci est ouverte. Il s'agit d'un fonctionnement normal. Essuyez soigneusement le joint de porte en caoutchouc. Parfois de la saleté ou des vêtements coincés dans le joint peuvent causer une petite fuite.
	Vérifiez la présence d'eau à la partie arrière gauche de la laveuse	Si cette partie est mouillée, cela indique la présence d'un surplus de mousse savonneuse. Utilisez moins de détergent.
	Les tuyaux d'entrée de l'eau ou le tuyau de vidange ne sont pas bien branchés	Assurez-vous que les tuyaux soient bien branchés au niveau des robinets et la laveuse et assurez-vous que le tuyau de vidange soit bien inséré et fixé à l'installation de vidange.
	La vidange de la maison est peut-être bloquée	Vérifiez la plomberie de la maison. Il est possible que vous ayez besoin d'appeler un plombier.
	Distributeur colmaté	Le savon en poudre peut causer des colmatages à l'intérieur du distributeur et causer une fuite d'eau à l'avant du distributeur. Retirez le tiroir et nettoyez le tiroir et l'intérieur de la boîte de distributeur. Reportez-vous à la section Entretien et nettoyage .
	Utilisation incorrecte de détergent	Utilisez du détergent HE uniquement et en bonne quantité.
	Vêtements trop mouillés	La charge est déséquilibrée
Le filtre de la pompe à eau est peut-être bouché		Reportez-vous Entretien et nettoyage pour le nettoyage du Filtre de la pompe .
Surcharge		Chargez la laveuse pour que les vêtements aient assez de place pour bouger librement.
Le tuyau de vidange est tortillé ou mal connecté		Redressez le tuyau de vidange et assurez-vous que la laveuse n'est pas dessus.
Le siphon d'évacuation de la maison peut être bouché		Vérifiez la plomberie de la maison. Vous pouvez avoir besoin d'appeler un plombier.
Siphonage du tuyau de vidange; tuyau de vidange enfoncé trop bas dans le drain.		Assurez-vous qu'il y a un espace d'air entre le tuyau et le drain.

Conseils de Dépannage...Avant d'appeler un réparateur

Problème	Causes possibles	Correctifs
Cycle incomplet ou minuterie arrêtée	Redistribution automatique de la charge	La minuterie s'arrête après une minute. La laveuse répartit la charge à une ou deux reprises. C'est un fonctionnement normal. Ne faites rien, la machine terminera le cycle de lavage.
	Le filtre de la pompe à eau est peut-être bouché	Reportez-vous Entretien et nettoyage pour le nettoyage du Filtre de la pompe .
	Le tuyau de vidange est tortillé ou mal connecté	Redressez le tuyau de vidange et assurez-vous que la laveuse n'est pas dessus.
	Le siphon d'évacuation de la maison peut être bouché	Vérifiez la plomberie de la maison. Vous pouvez avoir besoin d'appeler un plombier.
	Siphonage du tuyau de vidange; tuyau de vidange enfoncé trop bas dans le drain.	Assurez-vous qu'il y a un espace d'air entre le tuyau et le drain.
Secousses, vibrations ou bruits forts ou inhabituels	Déplacement d'armoire	La laveuse est conçue pour bouger de 6 mm pour réduire les forces transmises au sol. Ce mouvement est normal.
	Tous les pieds de mise à niveau en caoutchouc ne touchent pas fermement le sol	Poussez tirez sur l'arrière droit puis sur l'arrière gauche de la laveuse pour vérifier qu'elle est de niveau. Si elle ne l'est pas, réglez les pieds de mise à niveau en caoutchouc pour qu'ils touchent fermement le sol et qu'ils se bloquent en place.
	Charge déséquilibrée	Mettez l'appareil en pause, ouvrez la porte et redistribuez manuellement la charge. Pour inspecter la machine, exécutez un rinçage et un essorage à vide. Si tout est normal, le déséquilibre était causé par la charge.
	Le filtre de la pompe à eau est peut-être bouché	Reportez-vous Entretien et nettoyage pour le nettoyage du Filtre de la pompe .
Pas de puissance/ la laveuse ne fonctionne pas ou semble hors tension	La laveuse est débranchée	Assurez-vous que le cordon est bien branché dans une prise sous tension.
	L'arrivée d'eau est coupée	Ouvrez à fond les robinets d'eau chaude et d'eau froide
	Le disjoncteur est déclenché/le fusible a sauté	Inspectez les disjoncteurs/fusibles de la maison. Remplacez les fusibles ou réarmez le disjoncteur. La laveuse doit présenter une prise distincte.
	Vérifications automatiques du système	La première fois que la laveuse est branchée, des vérifications automatiques se produisent. Il peut être nécessaire d'attendre 20 secondes avant de pouvoir utiliser la laveuse. C'est un fonctionnement normal.
Accrocs, trous, déchirures, ou usure excessive	Stylos, crayons, clous, vis ou autres objets égarés dans les poches	Retirez les objets égarés dans les poches.
	Aiguilles, boutons pressions, agrafes, boutons à bord vif, boucles de ceinture, fermetures à glissière et objets à bord vif égarés dans les poches	Fermez les boutons pressions, agrafes, boutons et fermetures à glissière
Temps de contrôle incorrect ou variations	C'est normal.	Pendant l'essorage, la laveuse peut avoir besoin de rééquilibrer la charge parfois pour réduire les vibrations. Lorsque cela se produit, le temps estimé est augmenté, ce qui cause une augmentation du temps qui reste.
Pas assez d'eau	C'est normal.	Les laveuses horizontales ne nécessitent pas que la cuve se remplisse d'eau contrairement aux laveuses à charge par le haut
La laveuse fait une pause ou doit être redémarrée ou la porte de la laveuse est verrouillée et ne s'ouvre pas	Le filtre de la pompe à eau est peut-être bouché	Reportez-vous Entretien et nettoyage pour le nettoyage du Filtre de la pompe .

Conseils de Dépannage...Avant d'appeler un réparateur

Problème	Causes possibles	Correctifs
La porte se débloque ou la machine ne fonctionne pas lorsque vous appuyez sur Start	C'est normal.	Les laveuses à chargement frontal démarrent différemment de celles à chargement par le haut, et il faut plusieurs secondes pour vérifier le système. La porte se verrouille et se déverrouille
	Fonctionnement incorrect	Ouvrez et fermez simplement la porte fermement, puis appuyez sur Start (Marche).
L'eau ne rentre pas dans la laveuse ou entre lentement	Vérifications automatiques du système	Une fois Start (Marche) appuyé, la laveuse fait plusieurs vérifications du système. L'eau coule plusieurs secondes après que Start (Marche) soit appuyé
	Les tamis de vanne d'eau sont colmatés	Coupez l'arrivée d'eau et retirez les tuyaux de connexion d'eau en haut à l'arrière de la laveuse. Utilisez une brosse ou un cure-dent pour nettoyer les tamis dans la machine. Reconnectez les tuyaux et rouvrez l'arrivée d'eau.
	Les rondelles à grille de l'admission d'eau sont bloqués	Fermez l'eau et enlevez les tuyaux d'admission des robinets muraux. Utilisez une brosse ou un cure-dent pour nettoyer les rondelles à grille au bout des tuyaux. Reconnectez les tuyaux et ouvrez l'eau.
	Le filtre de la pompe à eau est peut-être bouché	Reportez-vous Entretien et nettoyage pour le nettoyage du Filtre de la pompe .
	Tuyaux de remplissage pliés	Vérifiez que les tuyaux de remplissage ne sont pas pliés ni bouchés.
	L'arrivée d'eau est coupée	Ouvrez à fond les robinets d'eau chaude et d'eau froide.
	Efficacité énergétique	Comme cette laveuse est éconergétique, ses réglages de température peuvent différer par rapport à une laveuse qui ne l'est pas.
	Alimentation d'eau insuffisante	Assurez-vous que l'alimentation d'eau est ouverte et que les robinets d'eau sont tournés à la position d'ouverture maximale.
	La porte de la laveuse est ouverte	La porte de la laveuse doit être fermée pendant tous les cycles de lavage. Si la porte est ouverte pendant un cycle de lavage, toutes les fonctions s'arrêteront, y compris le remplissage d'eau.
	Raccordement de tuyaux de remplissage incorrect	Vérifiez que les tuyaux de remplissage relient l'alimentation d'eau chaude à l'entrée d'eau chaude de la laveuse et l'alimentation d'eau froide à l'entrée d'eau froide de la laveuse (chaude avec chaude, froide avec froide).
Froissement	Tri incorrect	Évitez de mélanger des articles lourds (comme des vêtements de travail) avec des articles légers (comme des chemisiers).
	Surcharge	Chargez la laveuse pour que les vêtements aient assez de place pour bouger librement.
	Cycle de lavage incorrect	Assortissez la sélection de cycle au type de tissus que vous lavez (surtout pour les charges à entretien facile).
	Lavage répété dans de l'eau trop chaude	Lavez dans l'eau froide ou chaude.
Vêtements grisâtres ou jaunâtres	Pas assez de détergent	Utilisez la bonne quantité de détergent.
	Détergent utilisé pas HE (haute efficacité)	Utilisez du détergent HE uniquement.
	Eau calcaire	Utilisez l'eau la plus chaude possible pour le tissu. Utilisez un conditionneur d'eau comme la marque Calgon ou installez un adoucisseur d'eau.
	L'eau n'est pas assez chaude	Assurez-vous que le chauffe-eau distribue de l'eau entre 48 et 60°C.
	Le détergent ne se dissout pas	Essayez un HE détergent liquide
	Transfert de colorant	Triez les vêtements par couleur. Si l'étiquette du vêtement indique de laver séparément, cela peut indiquer des colorants instables.

Conseils de Dépannage...Avant d'appeler un réparateur

Problème	Causes possibles	Correctifs
Taches colorées	Utilisation incorrecte d'assouplisseur	Inspectez le sachet d'assouplisseur de tissu pour des instructions et suivez les directives d'utilisation du distributeur.
	Transfert de colorant	Séparez le blanc et les couleurs claires des couleurs foncées. Sortez rapidement le linge de la laveuse.
La température de l'eau est incorrecte	L'arrivée d'eau est mal connectée	Assurez-vous que les tuyaux sont connectés aux bons robinets.
	Le chauffe-eau de la maison est mal réglé	Assurez-vous que le chauffe-eau distribue de l'eau entre 48 et 60°C.
Légère variation dans la couleur métallisée	C'est normal	À cause des propriétés métalliques de la peinture utilisée pour ce produit unique, de légères variations de couleur peuvent être visibles à cause de l'angle de vue et des conditions d'éclairage.
Odeur désagréable dans la laveuse	Laveuse inutilisée pendant longtemps, pas d'utilisation du détergent HE de la qualité recommandée ou utilisation d'une quantité excessive de détergent	Exécutez un cycle Tub Clean (Nettoyage de cuve).
		En cas d'odeur forte, vous pouvez avoir besoin d'exécuter le cycle
		Utilisez uniquement la quantité de détergent recommandée sur le conteneur de détergent.
		Utilisez uniquement du détergent HE (haute efficacité)
		Retirez toujours rapidement les vêtements humides de la laveuse après arrêt de la machine.
Laissez la porte légèrement ouverte pour que l'eau sèche à l'air. Une surveillance étroite est requise pour tout appareil utilisé par des enfants ou à leur proximité. NE laissez pas les enfants jouer sur ou dans cet appareil ou tout autre.		
Fuite de détergent	Positionnement incorrect du contenant de détergent	Assurez-vous que le contenant de détergent est correctement positionné et placé. Ne mettez jamais de détergent au-dessus du trait max.
	C'est normal	Il est normal de voir le détergent fuir sur le joint de la porte environ 20 secondes après remplissage du distributeur.
Distribution incorrecte de l'assouplisseur	Distributeur colmaté	Nettoyez une fois par mois le tiroir distributeur pour retirer les dépôts de produits chimiques.
	Assouplisseur au-dessus du trait max	Assurez-vous de mettre la bonne quantité d'assouplisseur.
	Problème de bouchon d'assouplisseur	Assurez-vous que le bouchon d'assouplisseur du distributeur est positionné ou qu'il fonctionneront pas.
Le tiroir distributeur ne distribue pas correctement	Sachet de détersif placé dans le tiroir distributeur	Les sachets de détersif ne doivent pas être utilisés dans le distributeur. Ils doivent être ajoutés directement dans le panier de lavage conformément aux directives du fabricant.
La pompe fonctionne alors que la laveuse n'est pas utilisée	Obstruction dans le drain de puisard	Ce phénomène est normal. Le puisard détecte un niveau d'eau indésirable causé probablement par un robinet ouvert. Fermez la vanne d'eau et vérifiez si elle reste bloquée.

Garantie limitée de la laveuse GE Appliances

GARANTIE LIMITÉE

www.electromenagersge.ca

Toutes les réparations sous garantie limitée seront effectuées par nos centres de réparation ou nos réparateurs autorisés. Pour planifier un service en ligne, rendez-vous sur Electromenagersge.ca/fr/soutien/demande-de-service ou appelez le **800.561.3344**. Veuillez fournir le numéro de série et le numéro de modèle lorsque vous appelez pour obtenir le service.

Pour le diagnostic, la réparation de votre appareil peut nécessiter l'utilisation du port de données embarqué. Celui-ci permet au technicien de réparation GE Appliances de diagnostiquer rapidement des problèmes avec votre appareil. Il permet également à GE Appliances d'améliorer ses produits en fournissant à ces derniers des informations sur votre appareil. Si vous ne voulez pas que les données de votre appareil soient envoyées à GE Appliances, veuillez demander à votre technicien de NE PAS soumettre les données à GE Appliances pendant la réparation.

Pendant la période de :	Nous remplacerons :
Un an À compter de la date d'achat d'origine	Toute pièce défectueuse en raison d'un vice de matériau ou de fabrication. Au cours de cette garantie limitée d'un an , nous fournirons également, sans frais , les pièces et la main-d'œuvre pour remplacer la pièce défectueuse.

Ce qui n'est pas couvert :

- Toute visite à votre domicile pour vous expliquer le fonctionnement de l'appareil.
- L'installation, la livraison ou l'entretien inadéquats de l'appareil.
- Toute défectuosité du produit attribuable à une utilisation abusive ou inadéquate, s'il a été utilisé à toute autre fin que celle pour laquelle il a été conçu, ou s'il a été utilisé à des fins commerciales.
- Le remplacement des fusibles ou le réenclenchement des disjoncteurs de votre domicile.
- Les produits qui ne sont pas défectueux ou brisés, ou qui fonctionnent tel que décrit dans le Manuel de l'utilisateur.
- Tout dommage au produit attribuable à un accident, un incendie, une inondation ou une catastrophe naturelle.
- Tout dommage accessoire ou indirect, causé par des défaillances possibles de l'appareil.
- Les défectuosités ou les dommages causés par une utilisation de l'appareil à des températures situées sous le point de congélation.
- Tout dommage causé après la livraison.
- Tout produit auquel il n'est pas possible d'accéder pour effectuer les réparations nécessaires.

EXCLUSION DES GARANTIES IMPLICITES :

Votre seul et unique recours est de faire réparer le produit dans le cadre de cette garantie limitée. Toute garantie implicite, incluant la garantie de qualité marchande ou d'adaptabilité du produit à un usage particulier, est limitée à un an ou à la période la plus courte autorisée par la loi.

Agrafez le reçu d'achat ici. Pour obtenir le service sous garantie, vous devrez fournir la preuve de l'achat original.

Cette garantie limitée est offerte à l'acheteur initial, ainsi qu'à tout propriétaire subséquent d'un produit acheté au Canada en vue d'une utilisation domestique au Canada. Si le produit se situe dans une zone où aucun réparateur agréé par GE Appliances n'est disponible, vous devrez peut-être assumer les frais de déplacement de celui-ci ou apporter le produit à un atelier de réparation agréé par GE Appliances.

Dans certains États ou province, il est interdit d'exclure ou de limiter les dommages indirects ou accessoires. Il est alors possible que les limitations ou exclusions ci-dessus ne s'appliquent pas dans votre cas. La présente garantie limitée vous confère des droits juridiques spécifiques. Vous pouvez bénéficier d'autres droits, qui varient d'un État ou d'une province à l'autre. Pour connaître les droits dont vous bénéficiez, communiquez avec le bureau des Relations avec les consommateurs de votre région ou de votre province.

Garant : MC Commercial Inc., Burlington, ON, L7R 5B6

Soutien au consommateur

Site Web de GE Appliances

Vous avez une question ou vous avez besoin d'aide pour votre appareil électroménager? Visitez le site Web de GE Appliances 24 heures par jour, tous les jours de l'année! Vous pouvez aussi y trouver d'autres formidables produits GE Appliances et tirer avantage de tous nos services d'assistance en ligne. Au Canada : **ElectromenagersGE.ca/fr**.

Enregistrez votre électroménager

Enregistrez votre nouvel appareil en ligne au moment qui vous convient le mieux! L'enregistrement de votre produit dans les délais prescrits permet une meilleure communication et un service rapide, selon les modalités de votre garantie, si besoin est. Vous pouvez également envoyer par courrier la carte d'enregistrement pré-imprimée qui se trouve dans l'emballage de votre appareil.

Au Canada : **Prodsupport.mabe.ca/crm/Products/ProductRegistration.aspx**.

Service de réparation

Un service de réparation expert GE Appliances se trouve à quelques pas de chez vous. Rendez-vous sur notre site et programmez, à votre convenance, une visite de réparation à n'importe quel jour de l'année.

Au Canada : **electromenagersge.ca/fr/soutien/demande-de-service** ou composez le 800.561.3344.

Prolongation de garantie

Procurez-vous une prolongation de garantie GE Appliances et informez-vous des rabais spéciaux en vigueur pendant la durée de votre garantie. Vous pouvez vous la procurer en ligne en tout temps. Les services GE Appliances seront toujours disponibles après l'expiration de la garantie.

Au Canada : **electromenagersge.ca/fr/soutien/achat-d-une-garantie-prolongee** ou composez le 866.277.9842.

Connectivité à distance

Pour de l'assistance concernant la connectivité au réseau sans fil (pour les modèles équipés de cette fonction), visitez notre site Web au **http://www.electromenagersge.ca/fr/nouvelles-et-promotions/nouveautes/wifi-connect/**.

Pièces et accessoires

Les personnes ayant les compétences requises pour réparer elles-mêmes leurs appareils peuvent recevoir directement à la maison des pièces ou accessoires (les cartes VISA, MasterCard et Discover sont acceptées). Commandez en ligne 24 heures par jour.

Au Canada : **Electromenagersge.ca/fr/produits/filtres-et-accessoires** ou composer le 800.661.1616.

Les instructions contenues dans le présent manuel comportent des procédures que tout utilisateur peut effectuer. Les autres types de réparation doivent généralement être confiés à un technicien qualifié. Utilisez de prudence : une réparation ou un entretien mal effectués peuvent rendre l'utilisation de l'appareil dangereuse.

Communiquez avec nous

Si vous n'êtes pas satisfait du service après-vente de GE Appliances, communiquez avec nous depuis notre site Web en fournissant tous les détails dont votre numéro de téléphone, ou écrivez à :

Au Canada : Director, Consumer Relations, MC COMMERCIAL INC. | Suite 310, 1 Factory Lane | Moncton, N.B. E1C 9M3
electromenagersge.ca/fr/contactez-nous.



LAVADORAS

INFORMACIÓN DE SEGURIDAD 3

USAR LA LAVADORA
 Puesta en Marcha5
 Carga 11

CUIDADO Y LIMPIEZA.....12

INSTRUCCIONES DE INSTALACIÓN..... 14

CONSEJOS PARA LA SOLUCIÓN DE PROBLEMAS19

GARANTÍA LIMITADA23

ATENCIÓN AL CLIENTE..... 24

MANUAL DEL PROPIETARIO E INSTALACIÓN

GFW148

Escriba el número de modelo y de serie aquí:

N.º de modelo # _____

N.º de serie # _____

Usted puede encontrarlos en una etiqueta dentro de la puerta.

GRACIAS POR HACER QUE GE APPLIANCES SEA PARTE DE SU HOGAR.

Ya sea que haya crecido usando GE Appliances, o que ésta es su primera vez, nos complace tenerlo en la familia.

Sentimos orgullo por el nivel de arte, innovación y diseño de cada uno de los electrodomésticos de GE Appliances, y creemos que usted también. Entre otras cosas, el registro de su electrodoméstico asegura que podamos entregarle información importante del producto y detalles de la garantía cuando los necesite.

Registre su electrodoméstico GE ahora a través de Internet. Sitios Web y números telefónicos útiles están disponibles en la sección de Soporte para el Consumidor de este Manual del Propietario.

También puede enviar una carta en la tarjeta de inscripción preimpresa que se incluye con el material embalado.



GE APPLIANCES

INFORMACIÓN IMPORTANTE DE SEGURIDAD

LEA TODAS LAS INSTRUCCIONES ANTES DE USAR

▲ ADVERTENCIA

Para reducir el riesgo de muerte, incendio, explosión, descargas eléctricas o lesiones sobre las personas al usar su electrodoméstico, siga las precauciones básicas, incluyendo lo siguiente

- Lea todas las instrucciones antes de usar este electrodoméstico.
- Siga todas las instrucciones y advertencias de cuidado de tejidos para evitar el derretimiento de las prendas o daños al aparato.
- **NO** lave ni seque prendas que en forma previa hayan sido secadas, lavadas, mojadas o manchadas con gasolina, solventes de limpieza en seco, u otras sustancias inflamables o explosivas, ya que despiden vapores que se podrían encender o explotar.
- **NO** agregue gasolina, solventes de limpieza en seco, u otras sustancias inflamables o explosivas al agua de lavado. Estas sustancias despiden vapores que se podrían prender fuego o explotar.
- Bajo ciertas condiciones, se podrá producir gas de hidrógeno en un sistema de agua caliente que no fue usado por 2 semanas o más. **EL GAS DE HIDRÓGENO ES UN EXPLOSIVO**. Si el sistema de agua caliente no fue usado por dicho período, antes de usar una lavadora, abra todos los grifos de agua caliente y deje que corra agua de cada uno durante varios minutos. Esto liberará cualquier gas de hidrógeno acumulado. Debido a que el gas es inflamable, **NO** fume ni use una llama abierta durante este proceso.
- **NO** permita que los niños jueguen sobre o dentro de este electrodoméstico. Cuando el electrodoméstico se use cerca de niños, será necesario supervisarlos de cerca. Antes de dejar la lavadora fuera de servicio o de deshacerse de ésta, quite la puerta o la tapa. Si no se siguen estas instrucciones, se podrá producir la muerte o lesiones personales.
- **NO** introduzca las manos en el electrodoméstico si el tambor o agitador se encuentra en movimiento a fin de evitar enredos accidentales.
- **NO** instale ni guarde este electrodoméstico donde quede expuesto a los factores climáticos.
- **NO** manipule indebidamente los controles, reparar ni reemplazar cualquier parte del electrodoméstico o realizar cualquier otro trabajo técnico, a menos que esto sea específicamente recomendado en las instrucciones de mantenimiento del usuario o en instrucciones publicadas sobre reparaciones del usuario, que entienda y para las cuales posea las destrezas necesarias.
- **NO** se trepe ni se pare sobre la unidad.
- **NO** intente usar este electrodoméstico si se encuentra dañado, funcionando mal, parcialmente desensamblado, o si tiene partes faltantes o rotas, incluyendo un cable o enchufe dañado.
- Desenchufe el electrodoméstico o apague el disyuntor antes de realizar el servicio técnico. Presionar el botón **Power** (Encendido) **NO** desconecta el encendido.
- Para acceder a las instrucciones de conexión a tierra, lea los "REQUISITOS ELÉCTRICOS" ubicados en las Instrucciones de Instalación.

LEA Y GUARDE ESTAS INSTRUCCIONES

INFORMACIÓN IMPORTANTE DE SEGURIDAD LEA TODAS LAS INSTRUCCIONES ANTES DE USAR

INSTALACIÓN CORRECTA

La lavadora se debe instalar y colocar correctamente de acuerdo con las instrucciones de instalación, antes de utilizarla.

- Asegúrese de que la manguera de agua caliente esté conectada a la válvula "H" y que la manguera de agua fría esté conectada a la válvula "C".
- Instale o almacene la lavadora en un lugar donde no esté expuesta a temperaturas bajo cero ni a las inclemencias climáticas, ya que esto puede provocar daños irreversibles e invalidar la garantía.
- Conecte correctamente a tierra la lavadora de conformidad con todos los códigos y ordenanzas regulatorias. Siga la información de Instrucciones de instalación.
- Asegúrese de que la lavadora esté correctamente nivelada y que sus patas estén ajustadas de modo que la unidad se encuentre estable.
- Se recomienda una extensión opcional de la manguera de drenaje para descargas en alturas de 60" a 96".
- GE Appliances recomienda enfáticamente el uso de piezas especificadas de fábrica. A continuación se encuentra una lista de mangueras de fábrica disponibles para la compra. Estas mangueras están fabricadas y probadas para cumplir con las especificaciones de GE Appliances.
- GE Appliances recomienda enfáticamente el uso de mangueras nuevas de suministro de agua. Las mangueras se desgastan con el tiempo y deben reemplazarse cada 5 años para reducir el riesgo de fallas en las mangueras y daños provocados por el agua.

CUANDO NO ESTÉ EN USO

- Cierre las llaves de paso minimizar las fugas en caso de que se produzca una rotura o grieta. Compruebe el estado de las mangueras de llenado; GE Appliances recomienda el cambio de las mangueras cada 5 años.

PIEZAS Y ACCESORIOS

Solicítelos on-line hoy mismo a GEApplianceparts.com, las 24 horas del día o por teléfono al **877.959.8688** en horario normal de trabajo.

Número de Pieza	Accesorio
PM14X10002	Mangueras de goma de suministro de agua de 4 pies
O	
PM14X10005	Mangueras trenzada de suministro de agua de 4 pies
WX10X10011	Limpiador Tide® para Lavadoras*
PM7X1	Bandeja del Piso de la Lavadora

*Tide® es una marca registrada de Procter & Gamble.

LEA Y GUARDE ESTAS INSTRUCCIONES

Puesta en Marcha

⚠ ADVERTENCIA Para reducir el riesgo de incendios, descargas eléctricas o heridas, lea las **INFORMACIÓN IMPORTANTE DE SEGURIDAD** antes de utilizar este electrodoméstico.

Es posible que las funciones y apariencias varíen con relación a su modelo a lo largo del manual.

Paso 1

(La apariencia variará)



- Agregue el suavizante al dosificador para suavizante; para más detalles, lea la página 10.
- Agregue la cantidad de detergente recomendada por el fabricante. GE Appliances recomienda el uso de detergentes de Alta Eficiencia tales como en su lavadora de energía eficiente. Coloque los receptáculos de detergente en la parte inferior de la canasta de lavado antes de agregar la ropa.

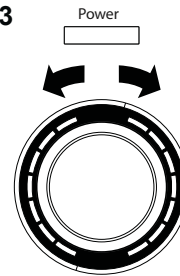
Paso 2



- Agregue las prendas. Sobrecargar el tambor puede producir un impacto negativo en el desempeño de lavado. Consulte la página 11 para obtener ejemplos de carga sugeridos.
- Cierre la puerta.

NOTA: La lavadora no se iniciará con la puerta abierta.

Paso 3



- Si la pantalla se encuentra oscura, presione el botón Power (encendido/apagado) para “despertar” la pantalla.
- Seleccione un ciclo de lavado. (Existen configuraciones por defecto para cada ciclo de lavado. Estas configuraciones por defecto pueden modificarse. Para más información, consulte Configuraciones de control.)

Paso 4



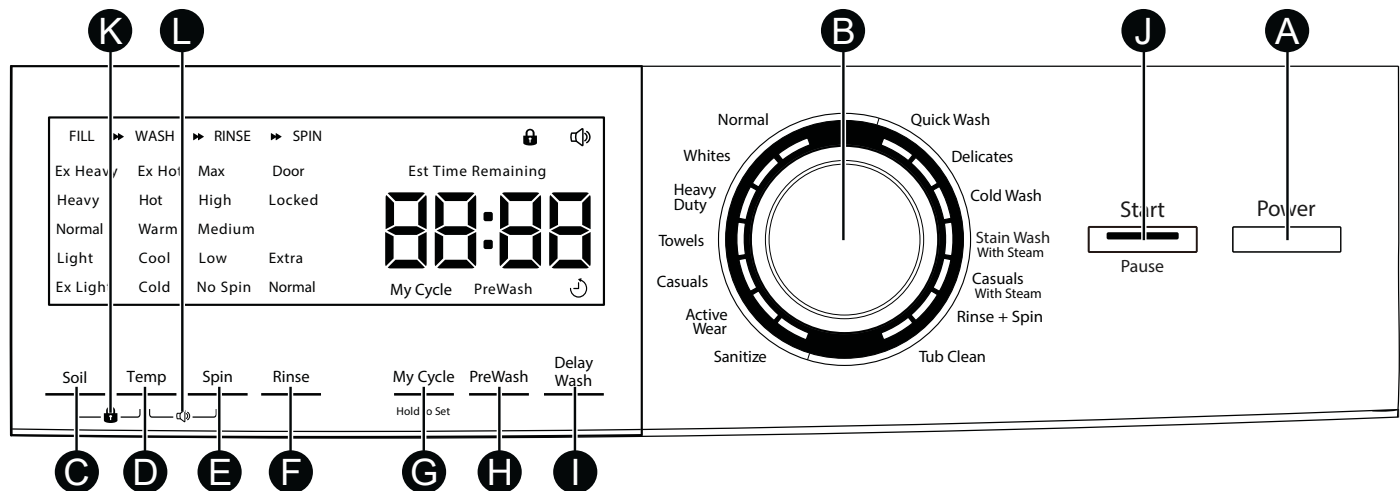
- Si seleccionó un ciclo de lavado, presione el botón Start/Pause (iniciar/pausa).

Pantalla y las Luces de Estado

La pantalla muestra el estado del ciclo (FILL ► WASH ► RINSE ► SPIN), el tiempo estimado restante hasta el final del ciclo y las opciones seleccionadas. Además, la pantalla mostrará:

	Controles bloqueados.
	Señal activada de fin de ciclo.
	Indica que la función de tiempo Delay Wash (Lavado con Retraso) fue seleccionada.

NOTA: Si un problema de desbalance es detectado por la lavadora, la luz de Spin (Centrifugado) titilará durante la parte restante del ciclo y permanecerá iluminada durante un período de tiempo corto luego de que se complete el ciclo. . Cuando esto sucede, la lavadora está realizando acciones para corregir el problema de desbalance y completar el ciclo normalmente. En algunos casos, es posible que la lavadora no logre equilibrar la carga y que gire a toda velocidad. Si observa que la carga está más mojada que lo habitual al finalizar el ciclo, redistribuya la carga de forma pareja en el tubo de la lavadora y haga correr un ciclo de drenaje y centrifugado. Seleccione el ciclo **Rinse + Spin** (Enjuague + Centrifugado) y deselectione el enjuague) presionando **Rinse** (Enjuague) hasta que las luces Extra y Normal se apaguen.



A Power (Encendido/apagado)

Pulse este botón para “activar” la pantalla. Si la pantalla está activa, púlselo para poner la lavadora en modo de espera.

NOTA: Al pulsar el botón de Power (encendido/apagado) no se desconecta la lavadora de la corriente.

Puesta en Marcha

B Ciclos de lavado

Los ciclos de lavado se han optimizado para tipos específicos de cargas de lavado. La siguiente tabla le ayudará a combinar el tipo de lavado con las cargas. Los elevadores Gentle Wash™ hacen girar la ropa suavemente en la solución de agua y detergente para limpiar la carga.

Prendas a Lavar	Ciclo	Nivel de Suciedad	Temperatura de Lavado	Selección del Giro	Opciones Disponibles	Detalles del Ciclo
Ciclo para el uso normal, regular o típica para el lavado hasta una carga completa de ropa de algodón de suciedad normal.	Normal	Ext. Sucia Sucia Normal Apenas Sucia Ext. Apenas Sucia	Muy caliente Caliente Tibio Fresca Fría	Max Alto Medio Sin centrifugado	Preremajo Enjuague adicional Delay Wash (Retrasar Lavado) My Cycle (Mi Ciclo)	Ciclo para el uso normal, regular o típica para el lavado hasta una carga completa de ropa de algodón de suciedad normal. Elija la selección de nivel de suciedad Heavy (Sucio) o Extra Heavy (Muy Sucio) o la selección de temperatura Hot Water (Agua Caliente), según sea apropiado para su carga de ropa en un nivel de lavado más alto.
Blanca y ropa de cama.	Whites (Blanca)	Ext. Sucia Sucia Normal Apenas Sucia Ext. Apenas Sucia	Muy caliente Caliente Tibio Fresca Fría	Max Alto Medio Bajo Sin centrifugado	Preremajo Enjuague adicional Delay Wash (Retrasar Lavado) My Cycle (Mi Ciclo)	Ciclo adaptado para limpiar y dar brillo a sus blancos.
Toallas, sábanas, fundas de almohadas y paños de cocina.	Towels (Toallas)	Ext. Sucia Sucia Normal Apenas Sucia Ext. Apenas Sucia	Muy caliente Caliente Tibio Fresca Fría	Max Alto Medio Bajo Sin centrifugado	Preremajo Enjuague adicional Delay Wash (Retrasar Lavado) My Cycle (Mi Ciclo)	Ciclo diseñado para lavar toallas, sábanas, fundas de almohadas y paños de cocina. Se recomienda que las toallas y sábanas sean lavadas de forma separada para un mejor cuidado y rendimiento del lavado.
Telas fuertes con mediano o alto nivel de suciedad.	Heavy Duty (Muy Resistentes)	Ext. Sucia Sucia Normal Apenas Sucia Ext. Apenas Sucia	Muy caliente Caliente Tibio Fresca Fría	Max Alto Medio Bajo Sin centrifugado	Preremajo Enjuague adicional Delay Wash (Retrasar Lavado) My Cycle (Mi Ciclo)	Incorpora un lavado de pasos múltiples y un período de remojo combinado con períodos de lavado prolongados, para limpiar de forma efectiva telas fuertes con mediano o alto nivel de suciedad.
Ropa informal, con poca suciedad para uso de oficina.	Casuals (Ropa de uso diario)	Ext. Sucia Sucia Normal Apenas Sucia Ext. Apenas Sucia	Muy caliente Caliente Tibio Fresca Fría	Max Alto Medio Bajo Sin centrifugado	Preremajo Enjuague adicional Delay Wash (Retrasar Lavado) My Cycle (Mi Ciclo)	Ciclo de lavado a medida para el cuidado de ropa informal y prendas de oficina.
Prendas deportivas con nivel de suciedad entre medio y leve de tejidos técnicos y sintéticos.	Active Wear (Ropa Informal)	Ext. Sucia Sucia Normal Apenas Sucia Ext. Apenas Sucia	Muy caliente Caliente Tibio Fresca Fría	Max Alto Medio Bajo Sin centrifugado	Preremajo Enjuague adicional Delay Wash (Retrasar Lavado) My Cycle (Mi Ciclo)	Ciclo diseñado para el cuidado de la tela de ropa informal, deportiva y de uso técnico con un nivel de suciedad entre medio y leve.
Prendas muy sucias que no destiñen necesitando una desinfección.	Sanitize (Desinfecte)	Ext. Sucia Sucia Normal	Muy caliente	Max Alto Medio Bajo Sin centrifugado	Preremajo Enjuague adicional Delay Wash (Retrasar Lavado) My Cycle (Mi Ciclo)	Use este ciclo para eliminar el 99.9% de las bacterias de las telas. El ciclo use un ciclo de lavado más prolongado, brindando el beneficio de la desinfección. Una purga de la bomba y un enjuague más prolongado son incorporados a fin de eliminar los contaminantes. Para obtener mejores resultados, seleccione la función Extra Heavy (Extra Sucio), si está disponible. Véase la NOTA a continuación.
Lencería y telas que requieren cuidado especial con suciedad entre leve.	Delicates (Delicadas)	Ext. Sucia Sucia Normal Apenas Sucia Ext. Apenas Sucia	Tibio Fresca Fría	Alto Medio Bajo Sin centrifugado	Preremajo Enjuague adicional Delay Wash (Retrasar Lavado) My Cycle (Mi Ciclo)	Para prendas con etiqueta de lavado a mano con poca suciedad. Ofrece un secado delicado y remojo durante el lavado y enjuague.

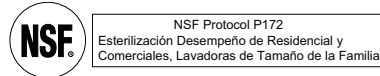
Puesta en Marcha

B Ciclos de lavado - Continuadao

Prendas a Lavar	Ciclo	Nivel de Suciedad	Temperatura de Lavado	Selección del Giro	Opciones Disponibles	Detalles del Ciclo
Para pequeñas cantidades de prendas con poca suciedad que se necesitan de forma rápida.	Quick Wash (Lavado Rápido)	Ext. Sucia Sucia Normal Apenas Sucia Sucia Ext. Apenas Sucia	Caliente Tibio Fresca Fría	Max Alto Medio Bajo Sin centrifugado	Preremajo Enjuague adicional Delay Wash (Retrasar Lavado) My Cycle (Mi Ciclo)	Para el lavado de cargas con poca suciedad en el menor tiempo posible. La duración del ciclo es de aproximadamente 33 minutos, dependiendo de las opciones seleccionadas.
Ciclo de lavado para una carga completa de ropa de algodón normalmente sucia en agua fría.	Cold Wash (Lavado en frío)	Ext. Sucia Sucia Normal Apenas Sucia Ext. Apenas Sucia	Fresca Fría	Max Alto Medio Bajo Sin centrifugado	Preremajo Enjuague adicional Delay Wash (Retrasar Lavado) My Cycle (Mi Ciclo)	Ciclo de lavado para una carga completa de ropa de algodón normalmente sucia en agua fría. Este ciclo usa sólo agua fría y extiende el tiempo de lavado para obtener ropa limpia.
Ciclo para ropa con mucha suciedad que no destiñe	Stain Wash with Steam (Lavado de Manchas con Vapor)	Ext. Sucia Sucia Normal Apenas Sucia Ext. Apenas Sucia	Muy caliente Caliente Tibio Fresca Fría	Max Alto Medio Bajo Sin centrifugado	Preremajo Enjuague adicional Delay Wash (Retrasar Lavado) My Cycle (Mi Ciclo)	Agregue vapor a la lavadora para ayudar en la eliminación de manchas en ropa demasiado sucia que no destiñe.
Cycle for heavily soiled casuals laundry	Casuals with Steam (Casuals with Steam)	Ext. Sucia Sucia Normal Apenas Sucia Ext. Apenas Sucia	Muy caliente Caliente Tibio Fresca Fría	Max Alto Medio Bajo Sin centrifugado	Preremajo Enjuague adicional Delay Wash (Retrasar Lavado) My Cycle (Mi Ciclo)	Agregue vapor a la lavadora para ayudar en la eliminación de manchas en ropa informal y de oficina demasiado sucia.
Para aquellas prendas que sólo necesitan ser enjuagadas, use este ciclo.	Rinse + Spin (Enjuague + Centrifugado)			Max Alto Medio Bajo Sin centrifugado	Preremajo Enjuague adicional Delay Wash (Retrasar Lavado) My Cycle (Mi Ciclo)	Para enjuagar y centrifugar rápidamente cualquier prenda en cualquier momento. Utiliza un giro de alta velocidad para extraer el agua de las prendas mojadas. Para lograr la combinación de drenaje y centrifugado, deseccione la opción Extra Rinse (Enjuague Adicional). Este ciclo va a distribuir detergente de prelavado y suavizante de telas.
Limpieza de la canasta de residuos y olores de la canasta. No se lavará ropa al usar este ciclo.	Tub Clean (Limpieza de la Canasta)					Uso recomendado de una vez por mes para limpiar la canasta de residuos y los olores. Nunca cargue ropa sucia al usar este ciclo; la misma podrá ser dañada. El ciclo incorpora un lavado caliente extendido, acción de agitación intensa y enjuague intenso.

NOTA: El valor de las temperaturas del agua del ciclo **Sanitize** NO se puede cambiar. Los ciclos **Sanitize** están certificados por NSF International, una organización independiente de tercera parte de verificación y certificación.

La certificación **Sanitize** verifica que el ciclo reduzca 99,9% de las bacterias que se encuentran típicamente en la prenda residencial y que ninguna contaminación significativa es transferida a las cargas siguientes. Sólo el ciclo **Sanitize** ha sido diseñado para satisfacer los requisitos del Protocolo NSF P172 para una desinfección eficiente.



C

Soil

Soil (Suciedad)

Al cambiar el nivel de suciedad, aumenta o disminuye el tiempo de lavado con el fin de eliminar las distintas cantidades de suciedad.

Para cambiar el nivel de suciedad, pulse el botón **Soil** (Suciedad) hasta obtener el valor deseado. Puede elegir entre los niveles de suciedad Extra Light (Muy Poca), Light (Poca), Normal, Heavy (Mucha) or Extra Heavy (Muy Mucha).

Puesta en Marcha

D Temp

Temp (Temperatura)

Ajuste este control para seleccionar la temperatura del agua adecuada para el ciclo de lavado. El agua de prelavado y enjuagado está siempre fría para poder reducir el consumo de energía y las manchas y arrugas.

Siga las indicaciones de la etiqueta de cuidado del fabricante del tejido al seleccionar la temperatura de lavado.

Para cambiar la temperatura de lavado, pulse el botón **Temp** (Temperatura) hasta obtener el valor deseado. Puede elegirse entre Cold (Frio), Cool (Fresco), Warm (Tibio), Hot (Caliente) o Extra Hot (Muy Caliente).

E Spin

Spin (Centrifugado)

Al cambiar la configuración de centrifugado, cambia la velocidad final de centrifugado de los ciclos. Siga siempre las indicaciones de la etiqueta de cuidado del fabricante de la prenda al cambiar la configuración de centrifugado.

Para cambiar la configuración de centrifugado, pulse el botón **Spin** (Configuración de centrifugado) hasta obtener el valor deseado. Puede elegirse entre No Spin (Sin Centrifugado), Low (Bajo), Medium (Medio), High (Alto) o Max (Máximo). Las velocidades de centrifugado más rápidas no están disponibles en determinados ciclos, como Delicates (Prendas Delicadas).

Con dichas velocidades, se elimina más agua de las prendas y se reduce el tiempo de secado, aunque también puede aumentar la posibilidad de que se formen arrugas en algunos tejidos.

F Rinse

Rinse (Enjuague)

Cambiar **Rinse** (Enjuague) modificará el número de enjuagues que el ciclo usará. Para cambiar la opción de enjuague, presione **Rinse** (Enjuague) hasta llegar a la configuración deseada. Usted puede cambiar entre Normal (Normal), Extra (Adicional) y sin enjuague. Para seleccionar la opción sin enjuague, presione el botón **Rinse** (Enjuague) button hasta que no haya luz in la ventana de enjuague.

En el ciclo de **Rinse+Spin** (Enjuague+Centrifugado), se puede conseguir un ciclo de drenaje y centrifugado si no se enjuaga.

G My Cycle

Hold to Set

My Cycle (Mi ciclo)

Para guardar el ciclo que prefiera, establezca los valores deseados para los ajustes de ciclo de lavado, nivel de suciedad, velocidad de giro y temperatura de lavado y mantenga pulsado el botón **My Cycle** (Mi ciclo) durante 3 segundos. Sonará un pitido para indicar que el ciclo se ha guardado.

Para utilizar el ciclo personalizado, pulse el botón **My Cycle** antes de lavar una carga.

Para cambiar el ciclo guardado, establezca los valores deseados y mantenga pulsado el botón **My Cycle** durante 3 segundos.

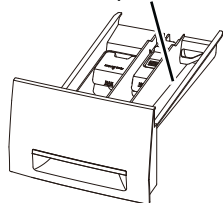
NOTA: Al utilizar **My Cycle**, no se pueden modificar las opciones de lavado una vez que comience el ciclo.

NOTA: Si cambia las opciones de lavado con **My Cycle** antes de que el ciclo comience, el indicador de **My Cycle** se apagará y volverá al ciclo base.

H PreWash

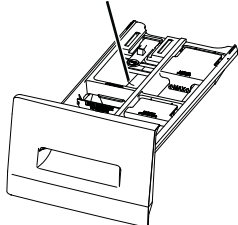
PreWash (Prelavado)

Compartimiento de prelavado



(en algunos modelos)

Compartimiento de prelavado



(en algunos modelos)

El prelavado es un lavado adicional que se realiza antes del lavado principal. Utilícelo con prendas muy sucias o con aquellas prendas en cuyas etiquetas de cuidado se recomienda realizar un prelavado. Asegúrese de añadir detergente de alta eficacia líquido o en polvo o la sustancia de lavado correspondiente en la cubeta de prelavado.

La función **PreWash** (Prelavado) llenará la lavadora con agua (agregando el detergente de prelavado), hará girar la ropa, efectuará el desagüe y el centrifugado. Luego la lavadora realizará el ciclo de lavado seleccionado.

NOTA: La función **PreWash** (Lavado Previo) no es seleccionada automáticamente y deberá ser seleccionada antes de iniciar el ciclo.

Puesta en Marcha

I

Delay
Wash

Delay Wash (Retrasar Lavar)

Utilícelo para retardar el inicio de su lavadora.

1. Elija su ciclo de lavado y cualquier otra opción.
2. Presione el botón **Delay Wash** (Retrasar Lavar). Usted puede cambiar el tiempo de retardo en unidades de 1 hora (hasta 24 horas) cada vez que presiona el botón **Delay Wash** (Retrasar Lavar). Deje de presionar el botón cuando vea el tiempo deseado.
3. Presione el botón de **Start/Pause** (Inicio/Pausa) para iniciar la cuenta regresiva.

El tiempo restante podrá verse en la pantalla de **Est Time Remaining** (Estimated Time Remaining - Tiempo Restante Estimado).

NOTAS:

- Si la puerta es abierta mientras la lavadora se encuentra en **Delay Wash** (Lavado con Retraso), el conteo detendrá la cuenta regresiva y en la pantalla se visualizará "puerta". La puerta deberá ser cerrada y el botón **Start/Pause** (Iniciar/ Pausar) deberá ser presionado para continuar con la cuenta regresiva del tiempo de retraso.
 - Se puede retardar el inicio de un ciclo de lavado hasta 24 horas.
- La luz del botón se encenderá cuando **Delay Wash** (Retrasar Lavar) esté funcionando.

J

Start



Pause

Start/Pause (Inicio/Pausa)

Pulse este botón para iniciar un ciclo de lavado. Si la lavadora está en funcionamiento, al pulsarlo una vez, la lavadora se detendrá y se desbloqueará la puerta. Esta función puede utilizarse para agregar prendas durante un ciclo. Vuelva a pulsar el botón para reiniciar el ciclo de lavado.

NOTA: Si la lavadora está detenida y el ciclo no se reinicia en 15 minutos, se cancelará el ciclo de lavado actual.

NOTA: En algunos ciclos, la lavadora realiza el desagüe primero, luego destrabe la puerta cuando se encuentra en pausa.

NOTA: La lavadora realiza revisiones automáticas del sistema después de presionar el botón **Start/Pause** (Inicio/Pausa). El flujo de agua se iniciará en 45 segundos o antes. Podrá escuchar la puerta al trabarse y destrabarse antes de que comience a fluir el agua; esto es normal.

K

Soil Temp



Lock (Bloquear)

Puede bloquear los controles para impedir que se realice cualquier selección. O bien puede bloquear los controles después de haber iniciado un ciclo.

Con esta opción seleccionada, los niños no podrán poner en marcha la lavadora de manera fortuita aunque toquen el panel.

Para bloquear la lavadora, presione y sostenga los botones **Soil** (Suciedad) et **Temp** (Temperatura) al mismo tiempo durante 3 segundos.

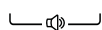
Para desbloquear los controles de la lavadora, presione y sostenga los botones **Soil** (Suciedad) et **Temp** (Temperatura) al mismo tiempo durante 3 segundos. Se escuchará un sonido que indica la condición de bloqueado/desbloqueado.

El icono de bloqueo de los controles que aparece en la pantalla se encenderá cuando esté activado.

NOTA: El botón **Power** (Encendido/Apagado) puede seguir utilizándose cuando la lavadora está bloqueada.

L

Temp Spin



Signal (Señal)

Cuando la luz está encendida, la lavadora emitirá un pitido al final del ciclo y cada vez que se presione un botón del panel de control.

Para apagar la señal, mantenga presionados los botones **Temp** (Temperatura) y **Spin** (Giro) al mismo tiempo por 3 segundos. Un sonido es realizado para indicar el estado de bloqueado/desbloqueo.

Puesta en Marcha

Depósito de detergente

Abra lentamente el depósito de detergente tirando de él hasta que se detenga.

Tras añadir los productos de lavado, ciérralo despacio. Si cierra el depósito demasiado rápido, puede provocar que el suavizante o el detergente se administren antes de tiempo.

Es posible que observe agua en lo compartimento de suavizante al final del ciclo. Este es el resultado de la acción de trasvase y forma parte del funcionamiento normal de la lavadora.

Use sólo detergente de alta eficiencia HE.

Use sólo detergente de alta eficiencia



Compartimento para el detergente

• Sólo use detergente de alta eficiencia en esta lavadora. Utilice la cantidad recomendada por el fabricante del detergente. **NO sobrepase la línea MAX de llenado.**

• El detergente se añade desde el depósito al comienzo del ciclo de lavado. Puede utilizarse detergente de alta eficiencia en polvo o líquido.

• Es posible que haya que ajustar el uso de detergente a la temperatura del agua, a la dureza de la misma, al tamaño y al nivel de suciedad de la carga. Evite utilizar demasiado detergente en la lavadora ya que puede producir demasiado jabón y dejar restos en las prendas.

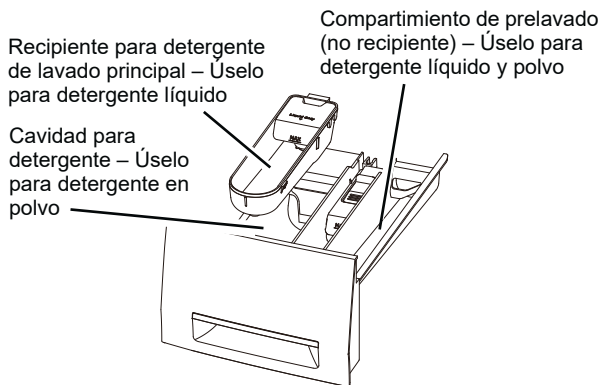
Sistema de la taza y de la cavidad del cajón

(en algunos modelos)

El depósito de detergente se encuentra en el lado izquierdo del cajón dosificador. La cavidad para detergente (sin el recipiente) se utiliza para detergente en polvo y el recipiente para detergente se utiliza para detergente líquido.

• **Detergente en polvo** – Quite el recipiente para detergente y vierta la cantidad sugerida de detergente en polvo dentro de la cavidad para detergente.

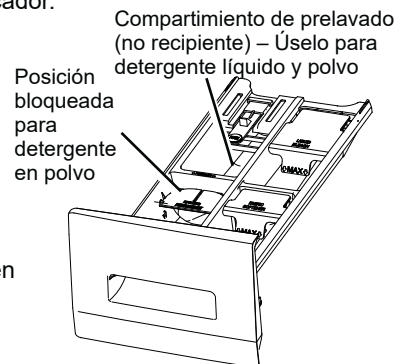
• **Detergente líquido** – Deje el recipiente para detergente en el cajón y vierta detergente líquido dentro del recipiente. No sobrepase la línea MAX de llenado.



Sistema del divisor del cajón (en algunos modelos)

El depósito de detergente se encuentra en la parte **delantera izquierda** del cajón dosificador.

• **Detergente en polvo** – Bloquee la tarjeta de detergente en su posición superior en el compartimento. Asegúrese de que la tarjeta esté bloqueada, luego vierta la cantidad sugerida de detergente en polvo en el dispensador de detergente.



• **Detergente líquido** – Bloquee la tarjeta de detergente verticalmente en su posición central en el compartimento. Asegúrese de que la tarjeta esté bloqueada, luego vierta la cantidad sugerida de detergente líquido en el dispensador de detergente.



Compartimento para el suavizante

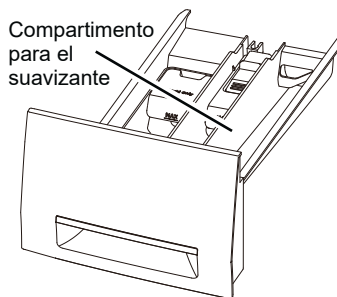
Si lo desea, vierta la cantidad recomendada de suavizante líquido en el compartimento con la etiqueta “Fabric Softener” (suavizante).

Utilice sólo suavizante líquido en el depósito.

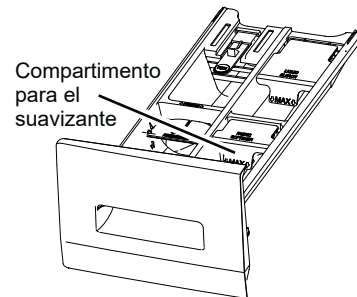
Dilúyalo con agua hasta la línea de llenado máximo.

No sobrepase la línea de llenado máximo. Un llenado excesivo puede hacer que el suavizante se administre demasiado pronto y manche las prendas.

NOTA: No vierta directamente el suavizante sobre la carga.



(en algunos modelos)



(en algunos modelos)

Carga

Siempre siga las instrucciones del fabricante de la ropa cuando lave.

Separación de cargas

Separe por color (blancos, claros, colores), nivel de suciedad, tipo de tela (algodones rústicos, limpieza fácil, delicados) y si la tela produce pelusa (tela de toalla, felpilla) o junta pelusa (terciopelo, pana). Lave los productores de pelusas tales como toallas de algodón y medias aparte de los recolectores de pelusas, incluyendo prendas sintéticas y pantalones de vestir.

⚠ ADVERTENCIA - Riesgo de incendio

NO lave tejidos sucios con líquidos inflamables o disolventes de limpieza.
 Ninguna lavadora puede eliminar el aceite por completo.
NO lave o seque cualquier cosa remojada o salpicada con cualquier tipo de aceite (incluyendo aceites de cocina).
NO toque el interior de la lavadora antes de que todas las partes en movimiento se hayan detenido.
 Si lo hace, eso puede ocasionar la muerte, explosión, incendio o amputación.

Carga de la lavadora

Puede que el tambor de la lavadora esté totalmente lleno con prendas sueltas que se añadan.

Para añadir prendas una vez que la lavadora esté en marcha, pulse **Start/Pause** (Iniciar/Pausa) y espere hasta que se desbloquee la puerta. La lavadora puede tardar unos 30 segundos en desbloquear la puerta después de pulsar **Start/Pause** (Iniciar/Pausa), dependiendo de las condiciones de la misma. No intente forzar la puerta para abrirla cuando esté bloqueada. Una vez que se desbloquee, ábrala con cuidado. Añada prendas, cierre la puerta y pulse **Start/Pause** (Iniciar/Pausa) para reiniciar el funcionamiento.

Puede que el tambor de la lavadora esté totalmente lleno con prendas sueltas que se añadan.

Ejemplos de carga

ROPA DE TRABAJO	ROPA DE CAMA	CARGA MIXTA	DELICADOS*	LAVADO RÁPIDO (2-3 PRENDAS)
3 Jeans 3 camisas de trabajo 2 pantalones de trabajo	1 toallon grande 6 toallas de baño/ 8 toallitas 4 toalla de mano/ 1 alfombra de baño de toalla ○ 1 sábana rectas tamaño Queen 1 sábana ajustables tamaño Queen 2 fundas de almohada	2 fundas de almohada 1 toalla de mano 1 sábana rectas/ 1 sábana ajustable 2 toallas de baño/ 2 toallitas ○ 4 camisas (de hombre o de mujer) 3 pantalones (Khakis o de sarga) 3 camisetas 4 boxers 2 shorts ○ 4 camisetas 2 pantalones de gimnasia 2 sudaderas 1 sudadera con capucha 5 pares de medias	4 sostenes 4 pantaletas 2 enaguas 1 camisola 3 camisones *Se recomienda el uso de una bolsa de malla de nylon para elementos pequeños	2 camisas de trabajo informales 1 pantalón de trabajo informal ○ 3 uniformes de fútbol

Cuidado y limpieza

Mangueras de suministro de aguas

Las mangueras que conectan la lavadora al grifo deben cambiarse cada 5 años.

Exterior

Limpie inmediatamente cualquier vertido. Limpie con un paño húmedo. Limpie los derrames o compuestos de limpieza con un paño húmedo. El panel de control y los acabados de la lavadora pueden resultar dañados por productos utilizados como tratamiento previo al lavado y removedores de manchas. Aplique estos productos lejos de la lavadora. La tela luego puede lavarse y secarse de manera normal. Los daños provocados a su lavadora por estos productos no están cubiertos por la garantía. No aplique objetos afilados a la superficie.

Interior

Seque alrededor de la abertura de la puerta de la lavadora, así como la junta obturadora elástica (incluidas las tuberías conectadas) y el cristal de la puerta. Estas zonas deben estar siempre limpias para garantizar un sellado hermético frente al agua.

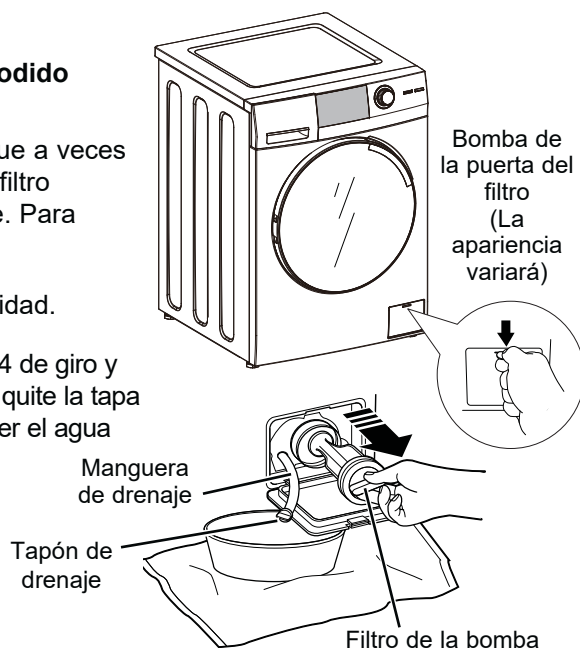
Se recomienda enjuagar la lavadora al menos una vez por mes con 1 taza de cloro (u otro producto disponible comercialmente fabricado para este fin, tal como el limpiador de lavadora Tide®) vertido directamente en la canasta sin ropa y usando el ciclo **Tub Clean** (Limpieza de tambor).

Filtro de la bomba

Limpie CADA MES para eliminar los elementos que se hayan podido quedar en el filtro o en la carcasa.

Debido a la naturaleza de la lavadora de carga frontal, es posible que a veces pasen partículas pequeñas a la bomba. La lavadora cuenta con un filtro de captura de elementos perdidos para que no caigan en el drenaje. Para recuperar los elementos perdidos, limpie el filtro de la bomba.

- 1 Abra la puerta en el extremo inferior derecho del frente de la unidad.
- 2 Gire la tapita blanca en sentido contrario a las agujas del reloj en 1/4 de giro y desenganche la manguera de goma. Tire la manguera del orificio y quite la tapa de la manguera de drenaje sobre un recipiente pequeño para retener el agua que salga. Drene el agua que sobre. Vuelva a colocar.
- 3 Desenrosque el filtro de la bomba. Enjuague cuando hay suciedad presente. Vuelva a colocar.
- 4 Cierre la puerta de acceso.

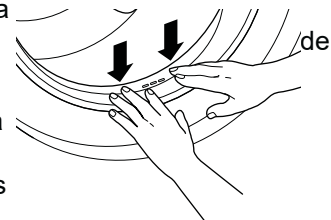


Junta de la puerta

Abra la puerta de la lavadora. Usando ambas manos, presione la junta de la puerta hacia abajo. Quite los objetos extraños que encuentre atrapados dentro de la junta. Asegúrese que no haya ningún objeto bloqueando los orificios ubicados detrás de la junta.

Mientras presiona la junta de la puerta hacia abajo, inspeccione la junta interior jalándola hacia abajo con los dedos. Quite los objetos extraños que encuentre atrapados dentro de esta junta. Asegúrese de que no haya ningún objeto bloqueando los orificios ubicados detrás de la junta.

Cuando haya terminado de limpiar la junta de la puerta, quite las manos y las juntas volverán a la posición de funcionamiento.

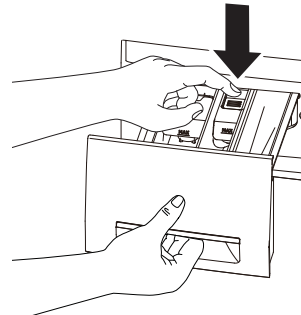


Cuidado y limpieza

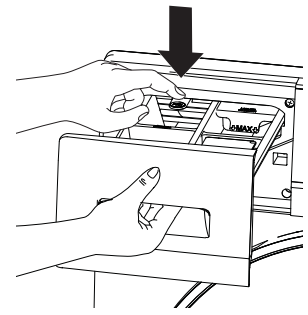
Zona del depósito de detergente

El detergente y el suavizante pueden acumularse en el depósito de detergente. Los residuos deben eliminarse una o dos veces al mes.

- Saque el depósito tirando de él hasta que se detenga. Luego acerque la mano a la parte central trasera de la cavidad del cajón y presione firmemente sobre la lengüeta de bloqueo, quitando el cajón.

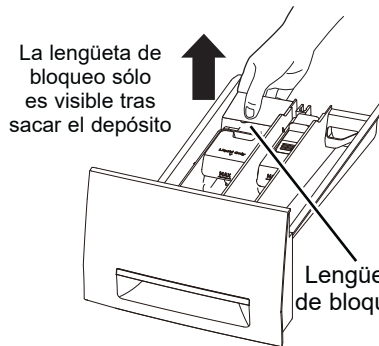


(en algunos modelos)

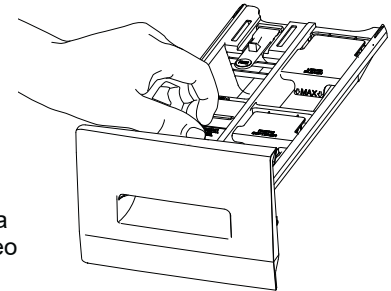


(en algunos modelos)

- Quite todos los recipientes y accesorios del cajón dosificador. Enjuague los accesorios, recipientes y cajón con agua caliente para quitar los restos acumulados de productos de lavado.

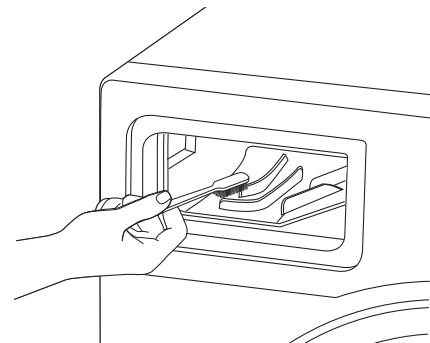


(en algunos modelos)



(en algunos modelos)

- Para limpiar la abertura del depósito, utilice un cepillo pequeño a fin de limpiar el hueco. Retire todos los restos de las partes superior e inferior del hueco.
- Vuelva a colocar las piezas en los compartimentos correspondientes. Introduzca de nuevo el depósito de detergente.
- Para reducir la acumulación en la zona del depósito de detergente:



Use sólo detergente de alta eficiencia HE.



Desplazamiento y almacenamiento

Pida al técnico de servicio que elimine el agua de las tuberías y la bomba de desagüe. No guarde la lavadora en un lugar donde esté expuesta a las inclemencias climáticas. Al mover la lavadora, la cuba debe mantenerse estable utilizando los pernos de transporte que se han extraído durante la instalación. Consulte las Instrucciones de instalación en este manual. Si estas piezas no están disponibles, se pueden solicitar a través del sitio Web GEApplianceparts.com o llamando GE Appliances al 877.959.8688.

Largas vacaciones

Asegúrese de cortar el agua de todas las llaves de paso. Vacíe todas las tuberías de agua si la temperatura va a encontrarse por debajo de punta de congelación.

Instrucciones de instalación

Lavadora




Si tiene alguna pregunta, llame GE Appliances a 800.GE.CARES (800.432.2737) o visite nuestro sitio Web en: GEAppliances.com

ANTES DE COMENZAR

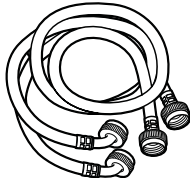
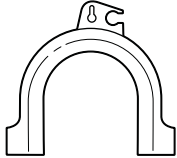
Lea detenidamente todas las instrucciones.

- **IMPORTANTE** — Guarde estas instrucciones para uso del inspector local.
- **IMPORTANTE** — Cumpla todos los códigos y ordenanzas regulatorias.
- **Nota al instalador** — Asegúrese de dejar estas instrucciones al usuario.
- **Nota al usuario** — guarde estas instrucciones para consultas futuras.
- **Nivel de habilidad** — la instalación de este electrodoméstico requiere habilidades mecánicas y eléctricas básicas.
- **Duración** — de 1 a 3 horas
- La instalación adecuada es responsabilidad del instalador.
- La garantía no cubre fallas producidas por la instalación inadecuada del producto.

HERRAMIENTAS NECESARIAS PARA LA INSTALACIÓN DE LA LAVADORA

- Nivel 
- Llave (provista) 
- Alicates ajustables Channel-lock 

PIEZAS INCLUIDAS

- Suministro de agua (2) (Arandelas planas preinstaladas) 
- Guía de tuberías 

UBICACIÓN DE LA LAVADORA

NO instale la lavadora:

1. En un área expuesta a goteras o a las condiciones del exterior. La temperatura ambiente no debe ser nunca inferior a 60°F (15,6°C) para que la lavadora funcione correctamente.
2. En una zona en la que pueda entrar en contacto con cortinas u otras telas.
3. Sobre una alfombra. El suelo **DEBE** ser una superficie dura con una inclinación máxima de 1/2" por pie (1,27 cm por cada 30 cm). Para asegurarse de que la lavadora no vibre ni se mueva, es posible que tenga que reforzar el suelo.

NOTA: Si el suelo se encuentra en mal estado, utilice una plancha con 3/4" de contrachapado bien fija al revestimiento existente en el suelo.

IMPORTANTE:

Distancias mínimas de separación para la instalación

- Cuando se instale en alcoba: costados/parte trasera = 0" y parte superior = 1" (2,54 cm)
- Cuando se instale en un armario: costados/parte trasera = 0" y parte superior/parte delantera = 1" (2,54 cm)
- Se deberá considerar que se debe brindar el despeje adecuado para la instalación y el servicio técnico.
- Las puertas del armario deben contar con rejillas u otro tipo de ventilación y tener por lo menos 60 pulgadas cuadradas (387,1 cm²) de espacio abierto. Si el armario incluye una lavadora y una secadora, las puertas deben contener un mínimo de 120 pulgadas cuadradas (774,2 cm²) de espacio abierto.

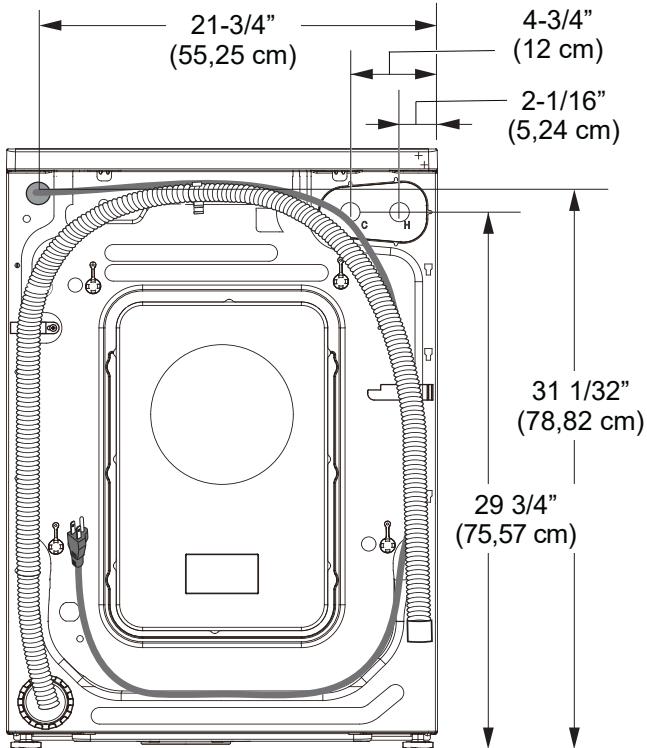
INSTALACIÓN EN CASAS RODANTES

La instalación se deberá realizar conforme con la Ley de Estándar para Casas Rodantes (Standard for Mobile Homes), ANSI A119.1 y de Estándares Nacionales de Construcción y Seguridad de Casas Rodantes (National Mobile Home Construction and Safety Standards Act) de 1974 (PL93-383).

Instrucciones de instalación

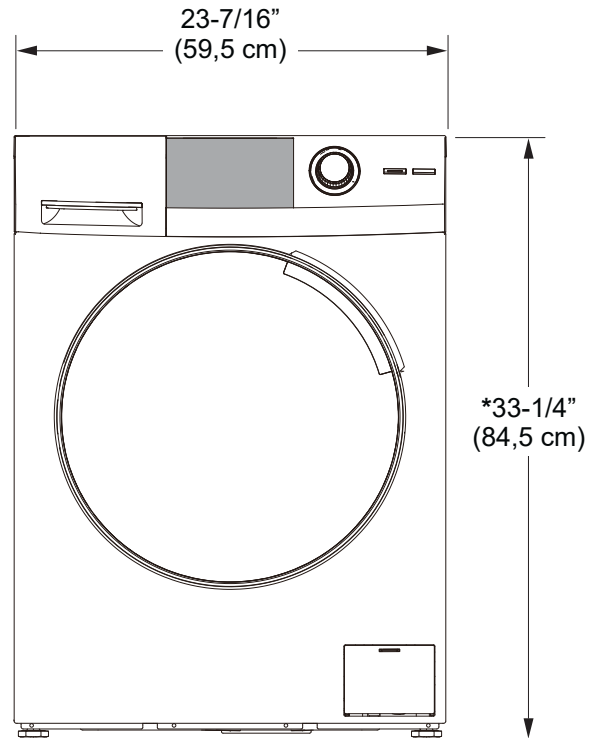
DIMENSIONES DE CONEXIÓN

PARTE POSTERIOR

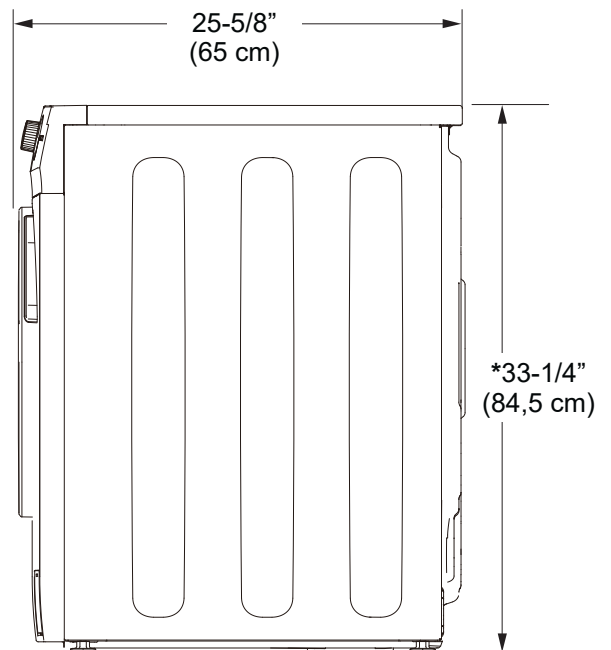


DIMENSIONES APROXIMADAS

PARTE DELANTERA



COSTADO



*NOTA:

Patas niveladoras de la lavadora retraídas = 33-1/4" (84,5 cm)

Patas niveladoras de la lavadora desplegadas = 33-3/4" (85,5 cm)

Apilada = 66-1/2" (169 cm)

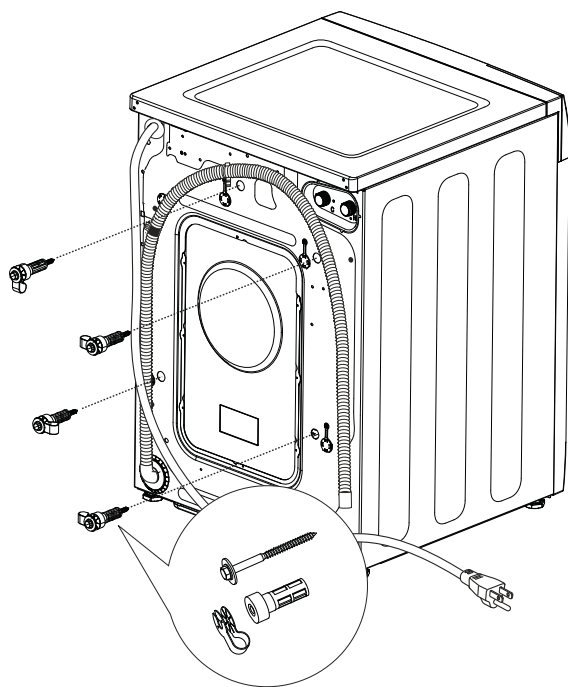
Instrucciones de instalación

DESEMBALAJE DE LA LAVADORA

⚠ ADVERTENCIA Recicle o deseche la caja de cartón y las bolsas de plástico una vez que haya desembalado la lavadora. Mantenga estos materiales fuera del alcance de los niños, pues éstos podrían utilizarlos para jugar. Las cajas de cartón cubiertas con mantas, colchas o láminas de plástico pueden convertirse en cámaras de aire herméticas y producir asfixia.

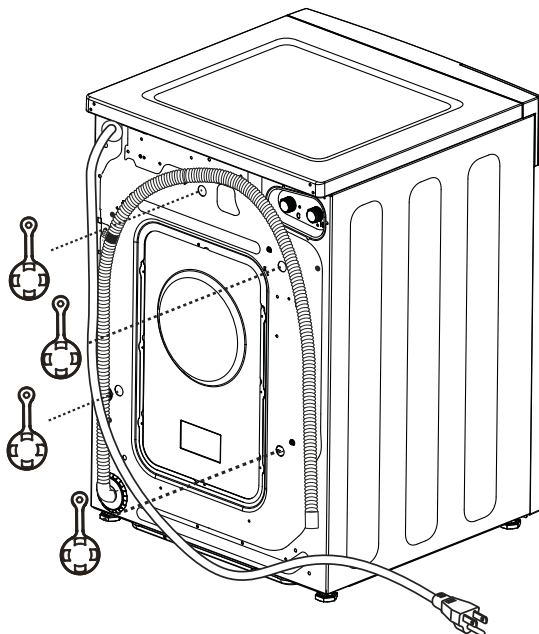
1. Corte y elimine todas las cintas de embalaje.
2. Mientras se encuentre dentro de la caja, coloque con cuidado la lavadora sobre el costado de la misma. NO la tumbe por la parte delantera ni trasera.
3. Abra las tapas inferiores y retire todo el embalaje de la base, incluido la base de la cuba de espuma de poliestireno.
4. Vuelva a levantar la lavadora con cuidado y retire la caja de cartón.
5. Desplace poco a poco la lavadora hasta 4 pies (122 cm) de su ubicación definitiva.
6. Quite las siguientes piezas de la parte trasera de la lavadora:
 - 4 pernos
 - 4 separadores de plástico (incluidas las arandelas de goma)

NOTA: NO retire el tornillo o pinza que sostiene la manguera.



DESEMBALAJE DE LA LAVADORA (cont.)

7. Introduzca los tapones para orificios de pernos de embalaje en los orificios.



NOTAS:

- Si se retiran incorrectamente los pernos de transporte, puede que la lavadora se vea gravemente desequilibrada.
- **IMPORTANTE:** Guarde todos los pernos para uso futuro.

Si necesitara transportar la lavadora posteriormente, debe volver a colocar las piezas de sujeción para el transporte con el fin de evitar daños durante el mismo. Guarde dichas piezas en la bolsa de plástico que se incluye.

Instrucciones de instalación

REQUISITOS ELÉCTRICOS

⚠ ADVERTENCIA - Riesgo de Descarga Eléctrica

Enchufe a un tomacorriente de 3 clavijas con conexión a tierra.

NO retire la terminal de tierra.

NO UTILICE un cable de extensión.

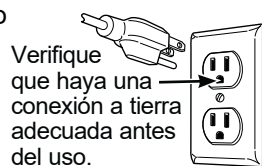
NO UTILICE un enchufe adaptador con este artefacto.

Si no se siguen estas instrucciones, se podrá producir la muerte, incendio o descargas eléctricas.

CIRCUITO – individual, correctamente polarizado y conectado a un disyuntor de 15 o 20 amperes o a un fusible con retardo.

SUMINISTRO DE CORRIENTE – 2 cables y conexión a tierra, 120 voltios, fase simple, 60 Hz., corriente alterna.

Receptáculo Externo – receptáculo de 3 clavijas correctamente conectado a tierra, ubicado de modo que el cable de corriente esté accesible cuando la lavadora esté en una posición instalada. Si hay un



receptáculo de 2 clavijas, es responsabilidad del propietario solicitar a un electricista matriculado que reemplace el mismo por un receptáculo de 3 clavijas con conexión a tierra, que esté correctamente conectado a tierra.

La lavadora deberá estar correctamente conectada a tierra de acuerdo con los códigos y ordenanzas locales, o en ausencia de códigos locales, con la última edición del Código Eléctrico Nacional, ANSI/NFPA NO. 70 o el Código Eléctrico Canadiense, CSA C22.1. En caso de no estar seguro de que la lavadora esté correctamente conectada a tierra, consulte a un electricista matriculado.

INSTRUCCIONES DE CONEXIÓN A TIERRA

Este electrodoméstico deberá estar conectado a tierra. En caso de avería o mal funcionamiento, la conexión a tierra reducirá el riesgo de descargas eléctricas al brindar un camino con una resistencia menor para la corriente eléctrica. Este electrodoméstico está equipado con un cable con un conductor para la conexión a tierra del equipo y un enchufe con conexión a tierra. El enchufe deberá estar conectado a un tomacorriente instalado en forma adecuada y con conexión a tierra de acuerdo con todos los códigos y ordenanzas locales.

⚠ ADVERTENCIA Una conexión inapropiada del conductor de conexión a tierra del equipo puede provocar riesgos de descargas eléctricas. Consulte a un electricista calificado o personal o representantes del servicio técnico si tiene dudas de que el electrodoméstico se encuentre conectado a tierra apropiadamente. **NO** modifique el enchufe en el cable de suministro de corriente. Si no coincide con la toma de corriente, contrate a un electricista calificado para que instale una toma de corriente en forma adecuada.

INSTRUCCIONES DE CONEXIÓN A TIERRA (cont.)

Si los códigos locales lo requieren, se podrá agregar un cable a tierra externo de cobre de calibre 18 o más grande (no provisto). Adhiera el gabinete de la lavadora con un tornillo de chapa metálica N°10-16 x 1/2" (disponible en cualquier tienda de repuestos) a la parte trasera de la lavadora.

⚠ ADVERTENCIA - Riesgo de Descarga Eléctrica

Desconecte el suministro de corriente antes de realizar el servicio técnico.

Reemplace todas las piezas y paneles antes de utilizar.

Si no cumple con esto, se podrá producir la muerte o descarga eléctrica.

⚠ ADVERTENCIA - Riesgo de Descarga Eléctrica

Ciertas piezas internas no tienen conexión a tierra en forma intencional y pueden presentar un riesgo de descarga eléctrica sólo durante la reparación.

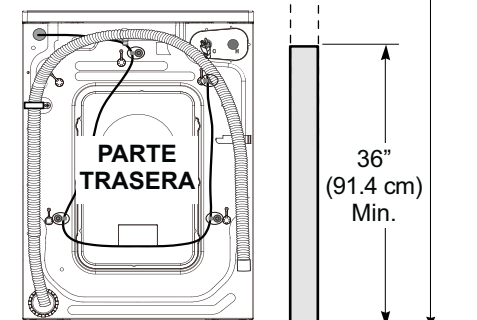
Personal de reparación – NO toque las siguientes piezas cuando el aparato esté recibiendo energía: Válvula eléctrica, Bomba de desague, NTC y Unidad de control del motor.

REQUISITOS DE SUMINISTRO DE AGUA

Las llaves de paso de agua caliente y fría DEBEN encontrarse a 42 pulgadas (107 cm) como máximo de la toma de agua de la lavadora. Las llaves de paso DEBEN ser de 3/4" (1.9 cm) y tipo jardín para que se puedan conectar las tuberías de entrada. La presión del agua DEBE estar entre 10 y 120 libras por pulgada cuadrada. La compañía de agua puede informarle de la presión del agua. La temperatura del agua caliente se debe establecer para suministrar agua a una temperatura de entre 120° y 140°F (48°– 60°C) para brindar un desempeño adecuado del control automático de temperatura (ATC).

REQUISITOS DE DESAGÜE

1. Desagüe capaz de eliminar 9.5 gal. (36 l) por minuto.
2. Diámetro mínimo de tubería vertical de 1 1/4" (3,18 cm).
3. La altura de la tubería vertical desde el suelo debe ser:
Altura mínima: 36" (91.4 cm)
Altura máxima: 58" (147 cm)

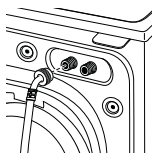


Instrucciones de instalación

INSTALACIÓN DE LA LAVADORA

1. Deje correr un poco de agua de los grifos de agua caliente y fría para purgar las tuberías de agua y eliminar las partículas que puedan obstruir los filtros de la válvula de agua.
2. Saque las tuberías de entrada de la bolsa de plástico. Quite las arandelas negras de goma de la bolsa y colóquelas dentro del accesorio de la manguera antes de conectar la unidad.

3. (Extremo acodado de 90°)
Conecte con cuidado la tubería de entrada marcada con HOT (Caliente) a la salida "H" exterior de la válvula de agua. Apriete con la mano y, a continuación, apriete 2/3 de vuelta con los alicates. Conecte con cuidado la otra tubería de entrada a la salida "C" interior de la válvula de agua. Apriete con la mano y, a continuación, apriete 2/3 de vuelta con los alicates. **No pase las roscas ni apriete excesivamente estas conexiones.**



4. Conecte los extremos de la tubería de entrada a las tomas de agua CALIENTE y FRÍA ajustándolos con la mano y, a continuación, apriete de nuevo 2/3 de vuelta con los alicates. Abra la llave de paso y compruebe que no hay ninguna fuga.

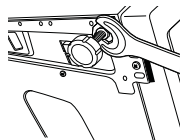


5. Desplace la lavadora con cuidado hasta su ubicación final. Mueva suavemente la lavadora para situarla en su lugar. Es importante no dañar las patas niveladoras de caucho al trasladar su lavadora a su ubicación final. Si las patas se dañan podría aumentar la vibración de la lavadora. Podría ser útil rociar el piso con limpiador para ventanas a fin de trasladar más fácilmente su lavadora a su ubicación final. **NOTA: Para reducir la vibración, asegúrese de que cada una de las cuatro patas niveladoras estén en contacto con el piso. Empuje y tire de la parte posterior derecha y luego de la parte posterior izquierda de su lavadora.**

NOTA: No utilice el depósito de detergente ni la puerta para levantar la lavadora.

NOTA: Si se instala en un depósito de desagüe, puede utilizar una tabla 2x4 de 24 pulgadas de longitud para colocar la lavadora en su lugar haciendo palanca.

6. Una vez situada la lavadora en su posición final, coloque un nivel en la parte superior de la misma (si está instalada debajo de un contador, la lavadora no debería vibrar). Ajuste las patas niveladoras delanteras hacia arriba o hacia abajo para asegurarse que la lavadora se apoya en una superficie sólida. Gire las contratuerzas de cada pata hacia la base de la lavadora y apriételas con una llave.

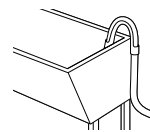


NOTA: Mantenga la extensión de los soportes al mínimo para evitar una vibración excesiva. Cuanto más se extiendan las patas, más vibrará la lavadora.

Si el suelo no está nivelado o está dañado, puede que sea necesario extender las patas niveladoras traseras.

INSTALACIÓN DE LA LAVADORA (cont.)

7. Coloque la guía de la tubería en forma de U en el extremo de la tubería de desagüe. Coloque la tubería en una pila de lavar o tubería vertical.



NOTA: Si la tubería de desagüe se coloca en una tubería vertical que no tiene forma de U, se puede producir un efecto sifón. Debe haber un espacio de aire alrededor de la tubería de desagüe. Una tubería demasiado ajustada también puede producir un efecto de sifón.

NOTA: No coloque la manguera de drenaje en una profundidad superior a 7" en el drenaje. Se sugiere entre 4" y 7". Más profundidad que 7" podrá producir una acción de sifonaje.

8. Enchufe el cable de alimentación en una salida de conexión a tierra.
NOTA: Asegúrese de que la alimentación está cortada en un interruptor/caja de fusibles antes de enchufar el cable de alimentación a una toma de corriente.
9. Conecte la alimentación a un interruptor/caja de fusibles.
10. Lea el resto del Manual del propietario. Contiene información valiosa y útil que supondrá un ahorro de tiempo y dinero.
11. **Antes de poner en funcionamiento la lavadora, asegúrese de comprobar lo siguiente:**

- La alimentación está conectada.
- La lavadora está enchufada.
- Las llaves de paso están abiertas.
- La lavadora está nivelada y que cada una de las cuatro patas niveladoras estén en contacto con el piso.
- Las piezas de sujeción para el transporte se han quitado y guardado.
- La tubería de desagüe se ha asegurado correctamente.
- No existe ninguna fuga en la llave de paso, la tubería de desagüe ni la lavadora.

12. Ponga en funcionamiento la lavadora en un ciclo completo. Compruebe que no haya fugas de agua y que funcione correctamente.
13. Si la lavadora no funciona, revise la sección **Consejos para la solución de problemas** antes de ponerse en contacto con el servicio de asistencia técnica.
14. Coloque las instrucciones en un lugar próximo a la lavadora para futuras consultas.

PIEZAS DE REPUESTO

Si se necesitan piezas de repuesto para la lavadora, se pueden solicitar en Estados Unidos a través del sitio Web **GEApplianceparts.com** o llamando GE Appliances a 877.959.8688.

Consejos para la solución de problemas

Problema	Causas posibles	Solución
No hay drenaje No hay rotación No hay giro	La carga está desequilibrada	Redistribuya las prendas y accione el Rinse+Spin (Enjuague+Centrifugado). Aumente el tamaño de la carga si lava una carga pequeña que contiene elementos pesados y livianos.
	El filtro de la bomba podría estar obstruido	Ver la Cuidado y limpieza sobre cómo limpiar el Filtro de la bomba .
	La manguera de drenaje está torcida o mal conectada	Enderece la manguera de drenaje y verifique que la lavadora no la esté aplastando.
	El drenaje de la vivienda puede estar obstruido	Controle la cañería de la vivienda. Quizás deba llamar a un plomero
	La manguera de drenaje hace efecto sifón; la manguera de drenaje se ha empujado muy profundamente dentro del drenaje	Verifique que haya un espacio de aire entre la manguera y el drenaje
Fugas de agua	La junta de la puerta está desbalanceada	Revise que la junta esté colocada en su sitio y que no se haya roto. Los objetos dejados en los bolsillos podrían causar daños a la lavadora (clavos, tornillos, lápices, bolígrafos). El agua podría gotear de la puerta cuando la misma está abierta. Esto forma parte del funcionamiento normal. Con cuidado limpie el sellado de goma de la puerta. A veces quedan suciedades o prendas en este sellado y pueden provocarse pequeñas pérdidas.
	Revise la parte posterior izquierda de la lavadora para verificar si hay presencia de agua	Si esta área se encuentra mojada, existe una condición haya roto. Los objetos dejados en los bolsillos podrían detergente
	Las tuberías de toma de agua la tubería de desagüe no se han conectado correctamente	Asegúrese de que se han apretado correctamente las conexiones de las tuberías de la lavadora y las llaves de paso y que el extremo de la tubería de desagüe se ha introducido y fijado correctamente al desagüe.
	Puede que la tubería de desagüe de la vivienda esté obstruida	Compruebe las tuberías de la vivienda. Puede que sea necesario llamar a un plomero.
	Depósito tapado	El jabón en polvo puede provocar atascos dentro del depósito y hacer que salga agua desde el frente del depósito. Quite el cajón y límpielo, al igual que la parte interna de la caja del depósito. Consulte la sección de Cuidado y limpieza .
	Uso incorrecto del detergente	Use sólo detergente HE en la cantidad correcta.
Las prendas están muy mojadas	La carga está desequilibrada	Redistribuya las prendas y accione el Rinse+Spin (Enjuague+centrifugado). Aumente el tamaño de la carga si lava una carga pequeña que contiene elementos pesados y livianos.
	El filtro de la bomba podría estar obstruido	Ver la Cuidado y limpieza sobre cómo limpiar el Filtro de la bomba .
	Carga excesiva	Cargue la lavadora de manera que haya suficiente espacio para que las prendas se muevan libremente.
	La manguera de drenaje está torcida o mal conectada	Enderece la manguera de drenaje y verifique que la lavadora no la esté aplastando
	El drenaje de la vivienda puede estar obstruido	Enderece la manguera de drenaje y verifique que la lavadora no la esté aplastando
	El drenaje de la vivienda puede estar obstruido	Controle la cañería de la vivienda. Quizás deba llamar a un plomero.
	La manguera de drenaje hace efecto sifón; la manguera de drenaje se ha empujado muy profundamente dentro del drenaje.	Verifique que haya un espacio de aire entre la manguera y el drenaje.

Consejos para la solución de problemas

Problema	Causas posibles	Solución
Ciclo incompleto o el temporizador no avanza	Redistribución de carga automática	El temporizador se detiene a 1 minuto, la máquina ha distribuido la carga una o dos veces. Esto es una operación normal. No haga nada; la máquina finalizará el ciclo de lavado.
	El filtro de la bomba podría estar obstruido	Ver la Cuidado y limpieza sobre cómo limpiar el Filtro de la bomba .
	La manguera de drenaje está torcida o mal conectada	Enderece la manguera de drenaje y verifique que la lavadora no la esté aplastando.
	El drenaje de la vivienda puede estar obstruido	Controle la cañería de la vivienda. Quizás deba llamar a un plomero.
	La manguera de drenaje hace efecto sifón; la manguera de drenaje se ha empujado muy profundamente dentro del drenaje	Verifique que haya un espacio de aire entre la manguera y el drenaje.
Ruido fuerte o inusual; vibración o movimiento	Se mueve el gabinete	La lavadora está diseñada para moverse 1/4" para reducir las fuerzas transmitidas al piso. Este movimiento es normal.
	Las patas de nivelación de goma no tocan el piso firmemente	Presione y tire en la parte trasera derecha y luego en la parte trasera izquierda de su lavadora para verificar que esté nivelada. Si la lavadora está desequilibrada, ajuste las patas de nivelación de goma para que estén firmemente en contacto con el piso y trabadas en su lugar.
	Carga desequilibrada	Pausar la unidad, abra la puerta y redistribuya la carga manualmente. Para controlar la máquina, accione el enjuague y centrifugado sin carga. Si es normal, el desequilibrio fue provocado por la carga.
	El filtro de la bomba podría estar obstruido	Ver la Cuidado y limpieza sobre cómo limpiar el Filtro de la bomba .
No hay suministro eléctrico/la lavadora no está en funcionamiento	La lavadora está desconectada	Asegúrese de que el cable esté enchufado de manera segura en un enchufe funcional.
	El suministro de agua está cerrado	Abra por completo las llaves de paso de agua fría y caliente.
	El interruptor/fusible se ha quemado/saltado	Compruebe los interruptores/fusibles de la vivienda. Cambie los fusibles o restablezca el interruptor. La lavadora debe tener una toma individual.
	Revisiones automáticas del sistema	La primera vez que se enchufa la lavadora, se efectúan las verificaciones automáticas. Podrían pasar hasta 20 segundos antes de que pueda utilizar su lavadora. Esto forma parte del funcionamiento normal.
Enganchones, agujeros, Ver rotos, rasgaduras o deterioro excesivo	Lápices, bolígrafos, clavos, tornillos u otros objetos dejados en los bolsillos	Retire todos los elementos sueltos de los bolsillos.
	Alfileres, broches, corchetes, botones en punta, hebillas de cinturones, cremalleras y objetos puntiagudos olvidados en los bolsillos	• Abroche los corchetes, broches, botones y cremalleras.
Error o cambios en el control de tiempo	Esto es normal	Durante el giro, es posible que en ocasiones se necesite volver a equilibrar la carga de la lavadora a fin de reducir vibraciones. Cuando esto sucede, se produce como consecuencia una prolongación en el tiempo estimado de lavado.
Cantidad de agua insuficiente	Esto es normal	Las lavadoras horizontales no requieren que el tubo se llene de agua, como sí ocurre con las lavadoras con carga superior.
La lavadora se detiene o se debe reiniciar o la puerta de la lavadora lavadora está bloqueada y no se abre	El filtro de la bomba podría estar obstruido	Ver la Cuidado y limpieza sobre cómo limpiar el Filtro de la bomba .

Consejos para la solución de problemas

Problema	Causas posibles	Solución
La puerta no se destraba o presiona Start (inicio) y la máquina no funciona	Esto es normal	Las lavadoras con tapa frontal comienzan su funcionamiento de manera diferente que las lavadoras con carga superior, y toma varios segundos realizar un control del sistema. La puerta se bloqueará y desbloqueará.
	Funcionamiento incorrecto	Simplemente abra y cierre la puerta firmemente y luego presione Start (Iniciar).
El agua no ingresa a la lavadora o ingresa muy lentamente	Auto-controles automáticos del sistema	Después de presionar Start (Iniciar), la lavadora realiza varios controles del sistema. El agua comenzará a correr varios segundos después de presionar Start (Iniciar).
	Los filtros de válvula de agua quedaron trabados	Cierre el suministro de agua y quite las mangueras de conexión de agua de la parte superior trasera de la lavadora. Utilice un cepillo o escarbadientes para limpiar los filtros de la máquina. Vuelva a conectar las mangueras y abra el suministro de agua.
	Arandelas del filtro de entrada de agua están obstruidos	Cierre la llave de paso y quite las tuberías de conexión de agua de la parte trasera superior de la lavadora. Utilice un cepillo o un palillo de dientes para limpiar los filtros de la lavadora. Vuelva a conectar las tuberías y abra la llave de paso.
	El filtro de la bomba podría estar obstruido	Ver la Cuidado y limpieza sobre cómo limpiar el Filtro de la bomba .
	Las mangueras de llenado puede estar torcida	Verifique que las mangueras de llenado no se encuentren torcidas o tapadas.
	El suministro de agua está cerrado	Abra por completo los grifos de agua caliente y fría.
	Eficiencia de energía	Esta es una lavadora con buen rendimiento de energía. Como resultado, las configuraciones de temperatura para esta lavadora pueden ser diferentes a las de una lavadora común sin esta característica.
	Suministro de agua insuficiente	Asegúrese de que el suministro de agua esté accionado. Verifique que los grifos de agua estén abiertos por completo.
	La puerta de la lavadora está abierta	La puerta de la lavadora debe estar cerrada durante todas las operaciones de ciclo de lavado. Si se abre la puerta durante una operación de lavado, todas las funciones se detendrán, incluyendo el ingreso de agua.
	Conexión incorrecta de la manguera de llenado	Asegúrese de que las mangueras de llenado conecten el suministro de agua caliente a la entrada de agua caliente de la lavadora y el suministro de agua fría a la entrada de agua fría (caliente a caliente, fría a fría).
Formación de arrugas	Clasificación inadecuada	No mezcle elementos pesados (como prendas de trabajo) con prendas livianas (como blusas).
	Carga excesiva	Cargue la lavadora de manera que haya suficiente espacio para que las prendas se muevan libremente.
	Ciclo de lavado incorrecto	Coincida la selección del ciclo con el tipo de tela que está lavando (especialmente para cargas de cuidado fácil).
	Lavados repetidos en agua demasiado caliente	Lave con agua tibia o fría.
Prendas grises o amarillentas	No se colocó suficiente detergente	Use la cantidad correcta de detergente.
	No se usó detergente HE (alta eficiencia)	Use sólo detergente HE.
	Agua dura	Utilice agua caliente segura para las telas.
		Utilice un acondicionador de agua como Calgon o instale un suavizante de agua.
	El agua no está lo suficientemente caliente	Verifique que el calentador de agua esté suministrando agua a 120°–140°F (48°–60°C).
	El detergente no se disuelve	Pruebe con un detergente HE líquido.
Transferencia de colores	Divida las prendas por color. Si la etiqueta de la tela dice "lavar por separado", puede indicarse colores inestables.	

Consejos para la solución de problemas

Problema	Causas posibles	Solución
Manchas de color	Uso incorrecto del suavizante de telas	Consulte el paquete del suavizante de telas sobre las instrucciones y siga las indicaciones de uso del depósito.
	Dye transfer	<p>Separe los blancos o los colores claros de los colores oscuros.</p> <p>Quite rápidamente la carga de la lavadora.</p>
La temperatura del agua es incorrecta	El suministro de agua está mal conectado	Verifique que las mangueras estén conectadas a los grifos correctos
	El calentador de agua de la vivienda no está bien configurado	Verifique que el calentador de agua de la vivienda esté suministrando agua a 120°–140°F (48°–60°C).
Pequeña variación del color metálico	Esto es normal	Debido a las propiedades metálicas de la pintura utilizada con este producto único, pueden ocurrir pequeñas variaciones de color debido ángulos de visualización y condiciones de iluminación.
Mal olor dentro de la lavadora	La lavadora no se usó durante un período prolongado, no se utiliza una calidad recomendada de detergentes HE (alta eficiencia) o se está usando demasiado detergente	Haga funcionar un ciclo Tube Clean (Limpieza de tambor).
		En caso de un fuerte olor, puede necesitarse el funcionamiento del ciclo Tube Clean (Limpieza de tambor) más de una vez.
		Use sólo la cantidad de detergente recomendada en el recipiente del detergente.
		Use sólo detergente HE (alta eficiencia).
Pérdida de detergente	Ubicación incorrecta de la pieza del detergente	Asegúrese de que la pieza del detergente esté bien ubicado y colocado. Nunca coloque detergente sobre la línea máxima de llenado.
	Esto es normal	Es normal ver una pérdida de detergente sobre la junta de la puerta alrededor de 20 segundos después de llenar el depósito.
Dosificación inadecuada de suavizante	Depósito tapado	Monthly clean the dispenser drawer to remove buildup of chemicals.
	Se colocó suavizante por encima de la línea máxima de llenado.	Asegúrese de contar con la cantidad correcta de suavizante.
	Problemas con el suavizante	Verifique de que la tapa del suavizante del bien colocado en el depósito o no funcionarán.
El cajón dispensador no dispensa de forma adecuada	El paquete de detergente para ropa sucia se colocó en el cajón dispensador	Los paquetes de detergente de ropa sucia no deberían ser usados en el dispensador. Sólo se deberían agregar directamente a la canasta de la lavadora, siguiendo las instrucciones del fabricante.
La bomba funciona mientras la lavadora no se encuentra en uso	Atascada en el drenaje del sumidero	Esto es normal. El drenaje del sumidero está detectando un nivel de llenado de agua no deseado desde un grifo posiblemente abierto. Cierre la válvula de agua e inspeccione que no haya bloqueos en la misma.

Garantía limitada de la lavadora GE Appliances

GEAppliances.com

Todo el servicio de garantía es provisto por nuestros Centros de Servicio de Fabricación, o un técnico autorizado de Servicio al Cliente (Customer Care®). Para programar una visita del servicio técnico, visítenos a través de Internet en **GEAppliances.com/service**, o llame GE Appliances al 800.GE.CARES (800.432.2737). Cuando llame para solicitar el servicio, tenga los números de serie y modelo disponibles.

Para realizar el servicio técnico de su electrodoméstico se podrá requerir el uso de datos del puerto de abordaje para su diagnóstico. Esto da al técnico del Servicio de Fábrica de GE Appliances la habilidad de diagnosticar de forma rápida cualquier problema con su electrodoméstico, y de ayudar a GE Appliances a mejorar sus productos al brindarle a GE Appliances la información sobre su electrodoméstico. Si no desea que los datos de su electrodoméstico sean enviados a GE Appliances, solicitamos que le indique a su técnico NO entregar los datos a GE Appliances en el momento del servicio.

Por el Período de:	Se sustituirá:
Un Año Desde la fecha de compra original	Cualquier pieza de la lavadora que falle debido a un defecto de los materiales o la mano de obra. Durante esta garantía limitada de un año , también ofrecemos, en forma gratuita , toda la mano de obra y los costos de servicio para reemplazar la pieza defectuosa.

Qué No Cubrirá GE Appliances:

- Viajes del personal de servicio a su casa para enseñarle cómo usar su producto.
- Instalación, entrega o mantenimiento inapropiada.
- Fallas del producto si es maltratado, mal usado, o usado para un propósito diferente del que se creó o si es usado para usos comerciales.
- Cambio de los fusibles de su casa o reajuste del circuito de interruptores.
- Productos sin defectos o rotos, o los cuales se encuentran funcionando como se indica en el Manual del propietario.
- Daños al producto causados por accidentes, incendios, inundaciones o actos de la naturaleza.
- Daños imprevistos resultantes causados por posibles defectos con este electrodoméstico.
- Defectos o daños debido a la puesta en funcionamiento a temperaturas de congelación.
- Daños causados después del envío.
- Producto no accesible para facilitar el servicio requerido.

EXCLUSIÓN DE GARANTÍAS IMPLÍCITAS

Su única y exclusiva alternativa es la reparación del producto, como se indica en la Garantía Limitada. Las garantías implícitas, incluyendo garantías implícitas de comerciabilidad o conveniencia sobre un propósito particular, se limitan a un año o al período más corto permitido por la ley.

Esta garantía limitada se extiende al comprador original y a cualquier propietario subsecuente para productos comprados para uso doméstico dentro Estados Unidos. Si el producto está situado en un área que no dispone de servicio por parte de un proveedor de servicio autorizado de GE Appliances, podría tener que hacerse cargo de los costes de envío o bien podría solicitársele que lleve el producto a un centro de servicio de GE Appliances autorizado para realizar la reparación. En Alaska, la garantía limitada excluye el costo de envío o las visitas de servicio a su casa.

Algunos estados no permiten la exclusión o limitación de daños imprevistos. Esta garantía limitada le da sus derechos legales específicos, y es posible que usted tenga otros derechos legales que varían de estado a estado. Para informarse de cuáles son sus derechos legales, consulte a su oficina de asuntos del consumidor local o estatal o póngase en contacto con la Oficina de su Procurador General.

Garante: GE Appliances, a Haier company
Louisville, KY 40225

Garantías Extendidas: Adquiera una garantía extendida de GE Appliances y conozca los descuentos especiales que están disponibles mientras su garantía aún está vigente. Puede acceder a la misma a través de Internet en cualquier momento en

geappliances.com/extended-warranty

o llamando al 800.626.2224 durante el horario comercial. Los Servicios para los GE Appliances aún estarán disponibles cuando su garantía caduque.

Aproche su recibo aquí. Para acceder al servicio técnico de acuerdo con la garantía deberá contar con la prueba de la fecha original de compra.

Soporte para el Consumidor

Sitio Web de GE Appliances

¿Desea realizar una consulta o necesita ayuda con su electrodoméstico? ¡Intente a través del Sitio Web de GE Appliances las 24 horas del día, cualquier día del año! Usted también puede comprar más electrodomésticos maravillosos de GE Appliances y aprovechar todos nuestros servicios de soporte a través de Internet, diseñados para su conveniencia. GEAppliances.com.

Registre su Electrodoméstico

¡Registre su electrodoméstico nuevo a través de Internet, según su conveniencia! Un registro puntual de su producto permitirá una mejor comunicación y un servicio más puntual de acuerdo con los términos de su garantía, en caso de surgir la necesidad. También puede enviar una carta en la tarjeta de inscripción preimpresa que se incluye con el material embalado. GEAppliances.com/register.

Servicio Programado

El servicio de reparación de expertos de GE Appliances está a sólo un paso de su puerta. Conéctese a través de Internet y programe su servicio a su conveniencia cualquier día del año.

GEAppliances.com/service

o comuníquese al 800.432.2737 durante el horario de atención comercial.

Garantías Extendidas

Adquiera una garantía extendida de GE Appliances y conozca los descuentos especiales que están disponibles mientras su garantía aún está vigente. La puede adquirir en cualquier momento a través de Internet. Los servicios de GE Appliances aún estarán allí cuando su garantía caduque.

GEAppliances.com/extended-warranty

o comuníquese al 800.626.2224 durante el horario de atención comercial.

Conectividad Remota

Para solicitar asistencia para la conectividad de red inalámbrica (para modelos con acceso remoto), visite nuestro sitio web en GEAppliances.com/connected-home-smart-appliances/ o comuníquese al 800.220.6899.

Piezas y Accesorios

Aquellos individuos calificados para realizar el servicio técnico de sus propios electrodomésticos podrán solicitar el envío de piezas o accesorios directamente a sus hogares (se aceptan las tarjetas VISA, MasterCard y Discover). Ordene hoy a través de Internet durante las 24 horas, todos los días. GEApplianceparts.com o de forma telefónica al 877.959.8688 durante el horario de atención comercial.

Las instrucciones que figuran en este manual cubren los procedimientos que serán realizados por cualquier usuario. Otros servicios técnicos generalmente deben ser derivados a personal calificado del servicio. Se deberá tener cuidado, ya que una reparación indebida podrá hacer que el funcionamiento no sea seguro.

Contáctenos

Si no se encuentra satisfecho con el servicio que recibió de GE Appliances, comuníquese con nosotros a través de nuestro sitio Web con todos los detalles, incluyendo su número telefónico, o escriba a:

General Manager, Customer Relations | GE Appliances, Appliance Park | Louisville, KY 40225

GEAppliances.com/contact.