

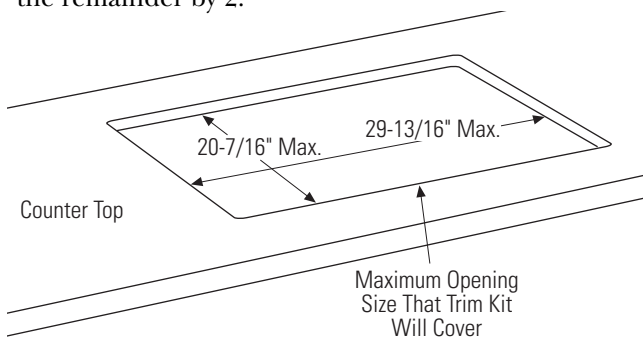
# Installation Instructions

## Cooktop Trim Kit

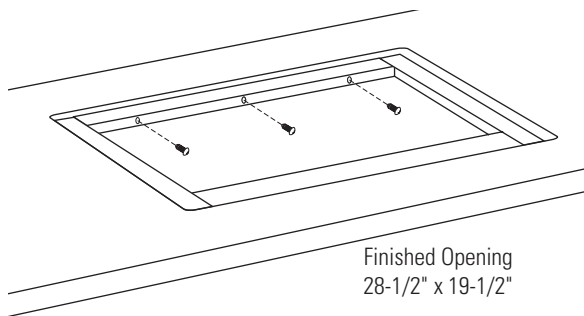
Use this kit when the countertop cutout is larger than the cutout required by the cooktop's Installation Instructions. Reduce the opening by adding wood filler strips. The cooktop trim ring will cover the opening and provide a more finished professional installation.

### STEP 1 INSTALL FILLER STRIPS

- To determine the width of the wood strips needed at the sides of the opening, measure the countertop cutout width. Subtract 28-1/2". Divide the remainder by 2.
- To determine the width of the wood strips needed on the front and back of the opening, measure the depth of the opening. Subtract 19-1/2". Divide the remainder by 2.

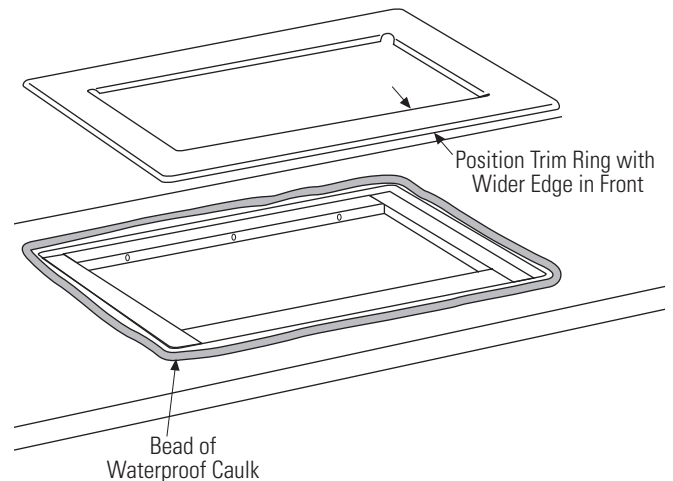


**Note:** If the present opening has rounded corners, the filler pieces should be attached to the straight portion of the cutout. The trim kit will cover any rounded corners.



- The wood filler strips should be the same thickness as the countertop.
- Use wood screws to secure the filler strips to the opening edges, flush with the countertop surface.
- The finished cutout must be 28-1/2" x 19-1/2".

### STEP 2 INSTALL TRIM RING AND COOKTOP



**Note:** A bead of waterproof caulk under the trim ring is recommended. The caulk will prevent moisture or spills from collecting under the trim ring.

- Place the trim ring over the opening.
- Place the cooktop into the trim ring.
- Install and secure the cooktop per the cooktop's Installation Instructions.
- Wipe away any excess caulk that may have squeezed from beneath the trim ring.