



# GERBER

VITREOUS CHINA  
TOILET  
**HE-20-019**

LAVATORIES

TOILETS

BIDETS / URINALS

CAST IRON



## LOGAN SQUARE™ 1.28 ErgoHeight™ 17" High Elongated Toilet

10" Rough-in

### Features:

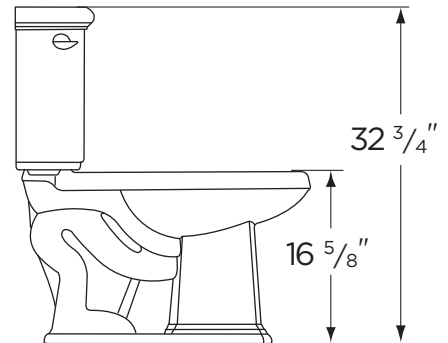
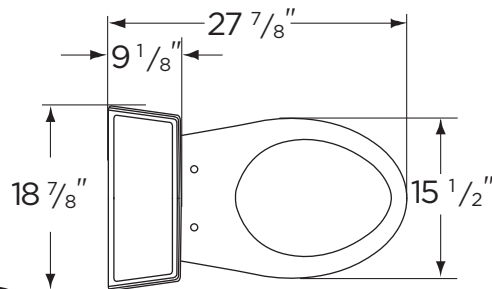
- 1.28 gpf/4.8 Lpf high efficiency toilet
- ADA elongated ErgoHeight™ bowl
- 3" flush valve
- Dual-fed siphon jet
- Fluidmaster® fill valve
- 2" fully glazed trapway
- 10" rough-in tank
- White only
- Toilet seat not included



### Dimensions:

- Height .....32 3/4"
- Width .....18 7/8"
- Depth .....27 7/8"
- Rough-in .....10"
- Water Surface from Rim .....5 5/8"
- Trapway .....2"
- Water Surface .....10 1/2" x 8 1/8"
- Water Seal .....2 1/2"
- Shipping Weight .....88 lbs

**Specifications:** Bowl—#HE-21-538 Elongated ErgoHeight™  
Tank—#HE-28-535    Seat not included



THIS FIXTURE QUALIFIES ACCORDING TO ASME TEST PROCEDURES AS A HIGH EFFICIENCY WATER CLOSET WITH AN AVERAGE CONSUMPTION OF 1.28 gpf (4.8 Lpf) OR LESS.

HIGH EFFICIENCY TOILET  
**HET**

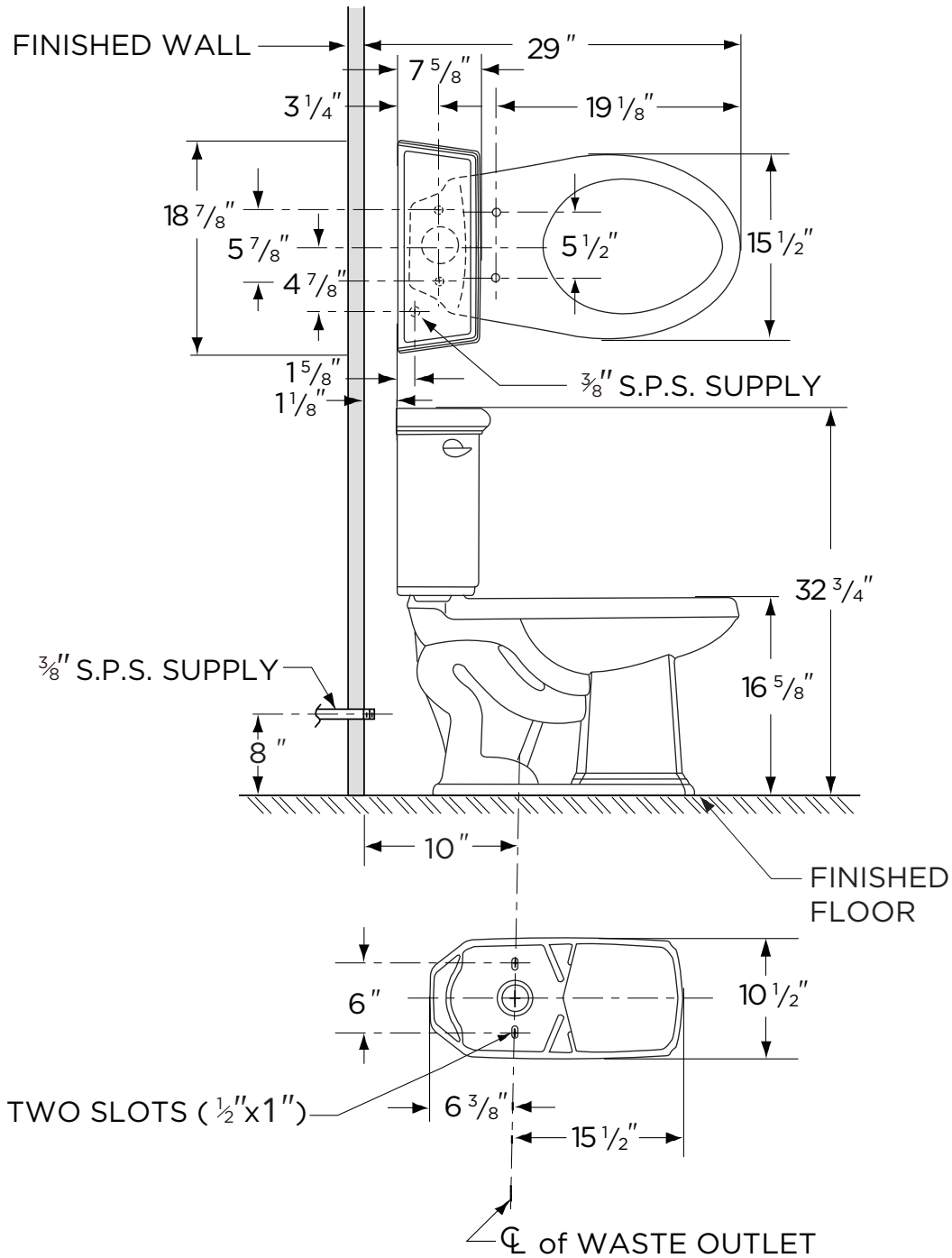
[www.gerberonline.com](http://www.gerberonline.com)

Job Name	
Date	
Model Specified	
Quantity	
Customer	
Contractor	
Architect/engineer	



# GERBER

1.28 gpf (4.8 Lpf) Logan Square™ 1.28 Toilet  
 HE-20-019  
 Elongated ErgoHeight™, 10" Rough-in  
 (Bowl HE-21-538 with Tank HE-28-535)



NOTES:  
 All dimensions are in inches.  
 Illustrations may not be drawn to scale.

**IMPORTANT:**  
 Dimensions of fixtures are nominal and may vary within the range of tolerances established by ASME Standard A 112.19.2.  
 THIS FIXTURE QUALIFIES ACCORDING TO ASME TEST PROCEDURES AS A HIGH EFFICIENCY WATER CLOSET WITH AN AVERAGE CONSUMPTION OF 1.28 gpf (4.8 Lpf) OR LESS.