



VITREOUS CHINA

TOILET
SE-21-110

LAVATORIES

TOILETS

BIDETS / URINALS

CAST IRON

MAXWELL® SE Elongated Toilet

10" Rough-in

Features:

- 1.6 gpf/6 Lpf two-piece toilet
- Elongated bowl
- Dual-fed siphon jet
- 2" flush valve
- Color matched front tank lever (White only)
- Available in White only
- 2 bolt caps

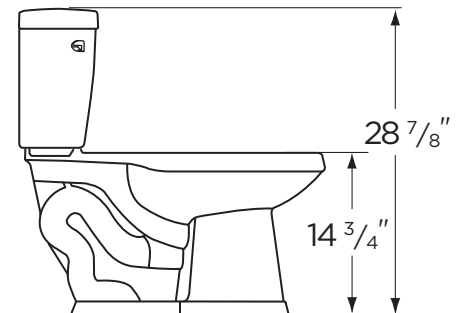
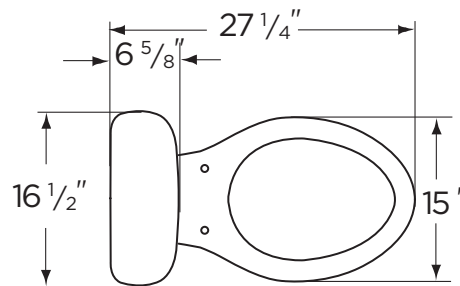
Dimensions:

Height 28 7/8"
 Width 16 1/2"
 Depth 27 1/4"
 Rough-in 10"
 Water Surface from Rim 5"
 Trapway 1 3/4"
 Water Surface 9 5/8" x 7 5/8"
 Water Seal 2 1/4"
 Shipping Weight 71 lbs



Specifications: Bowl—#21-162 Elongated Bowl
Seat not included

Tank—#28-175



THIS FIXTURE QUALIFIES ACCORDING TO ASME TEST PROCEDURES AS A LOW CONSUMPTION WATER CLOSET WITH AN AVERAGE CONSUMPTION OF 1.6 gpf (6Lpf) OR LESS.



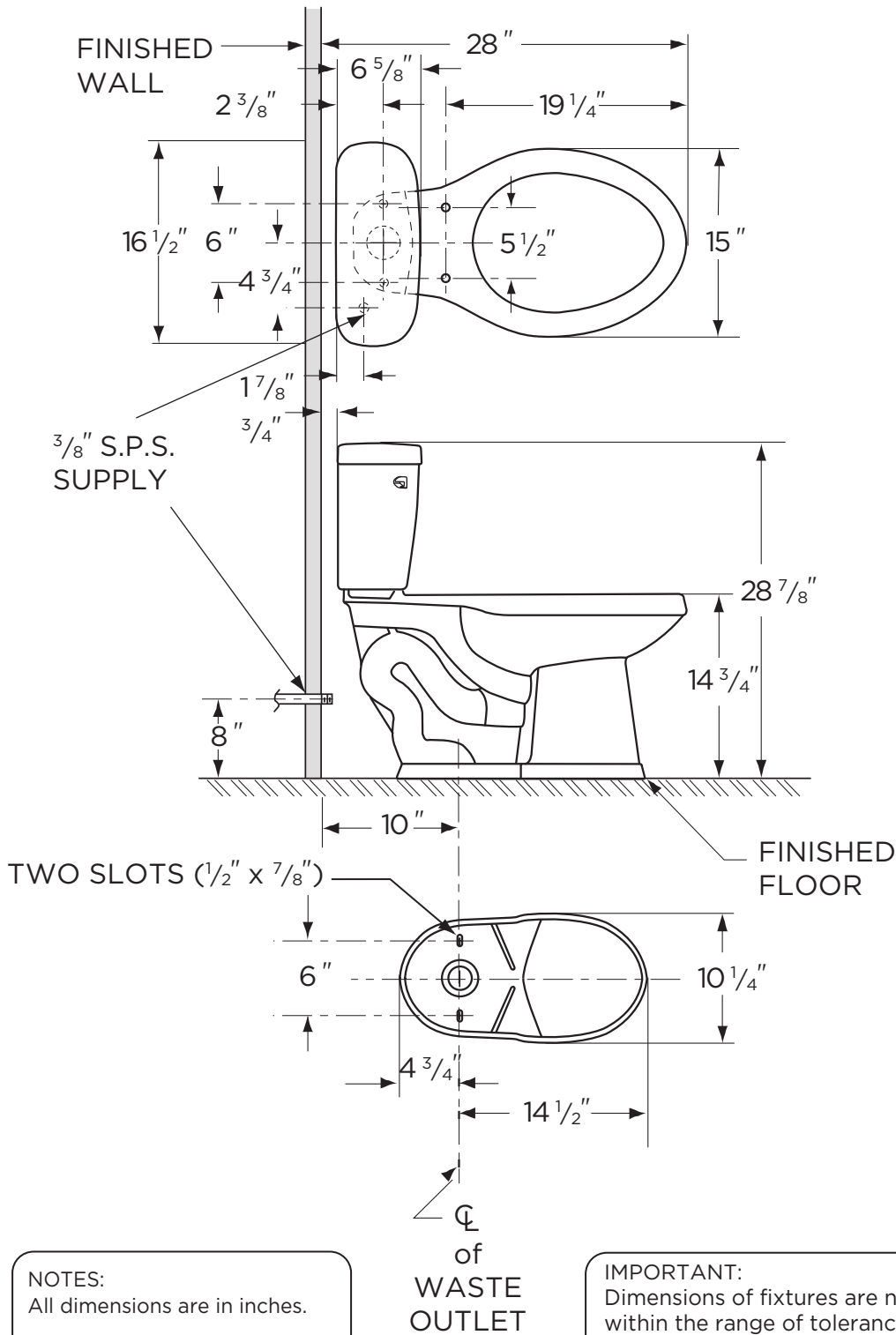
www.gerberonline.com

Job Name	
Date	
Model Specified	
Quantity	
Customer	
Contractor	
Architect/engineer	



1.6 gpf (6 Lpf) MAXWELL® SE TOILET

SE-21-110
Elongated, 10" Rough-in
(Bowl 21-162 with Tank 28-175)



NOTES:
All dimensions are in inches.
Illustrations may not be drawn to scale.

IMPORTANT:
Dimensions of fixtures are nominal and may vary within the range of tolerances established by ASME Standard A 112.19.2.
THIS FIXTURE QUALIFIES ACCORDING TO ASME TEST PROCEDURES AS A LOW CONSUMPTION WATER CLOSET WITH AN AVERAGE CONSUMPTION OF 1.6 gpf (6Lpf) OR LESS.