

GERBER®

VITREOUS CHINA

TOILET
DF-20-102

LAVATORIES

TOILETS

BIDETS / URINALS

CAST IRON



MAXWELL® DUAL FLUSH Round Front Toilet

12" Rough-in

Features:

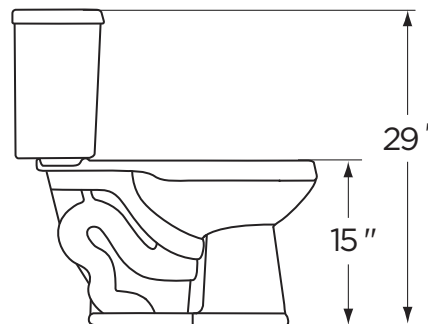
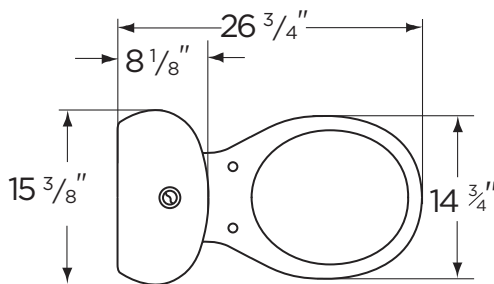
- Dual Flush 1.1/1.6 gpf (4.0/6.0 Lpf)
- High Efficiency Toilet (HET)
- Round Front Bowl
- Glazed Trapway
- Reverse Trap
- Front Jet Flushing Action
- Top Mounted, Two-button Actuator
- Syphonic Flush Action Keeps Bowl Clean
- Available in White and Biscuit
- 2 Bolt Caps
- Seat not included

Dimensions:

- Height 29"
- Width 15 3/8"
- Depth 26 3/4"
- Rough-in 12"
- Water Surface from Rim 5"
- Trapway 1 3/4"
- Water Surface 9 5/8" x 7 5/8"
- Water Seal 2 1/4"
- Shipping Weight 68 lbs



Specifications: Bowl—#SE-21-152 Round Front Tank—#DF-28-190



THIS FIXTURE QUALIFIES ACCORDING TO ASME TEST PROCEDURES AS A HIGH-EFFICIENCY WATER CLOSET WITH AN AVERAGE CONSUMPTION OF 1.28 gpf (4.8 Lpf) OR LESS.



www.gerberonline.com

Job Name	
Date	
Model Specified	
Quantity	
Customer	
Contractor	
Architect/engineer	

