



VITREOUS CHINA

TOILET
25-833

LAVATORIES

TOILETS

BIDETS / URINALS

CAST IRON

NORTH POINT™ 1.28/1.6 Elongated Spud Bowl

10" Rough-in

Features:

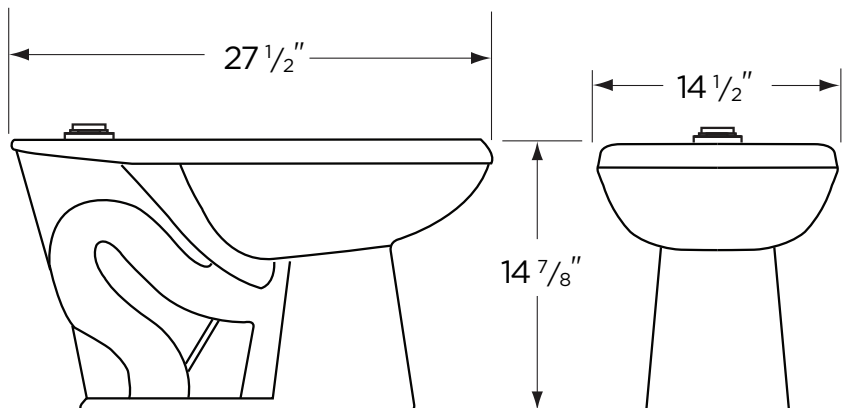
- 1.28/1.6 gpf/4.8/6.0 Lpf high efficiency floor mount bowl
- Elongated bowl
- Top Spud
- Siphon Jet
- 1 1/2" spud for flushometer valve



Seat not included

Dimensions:

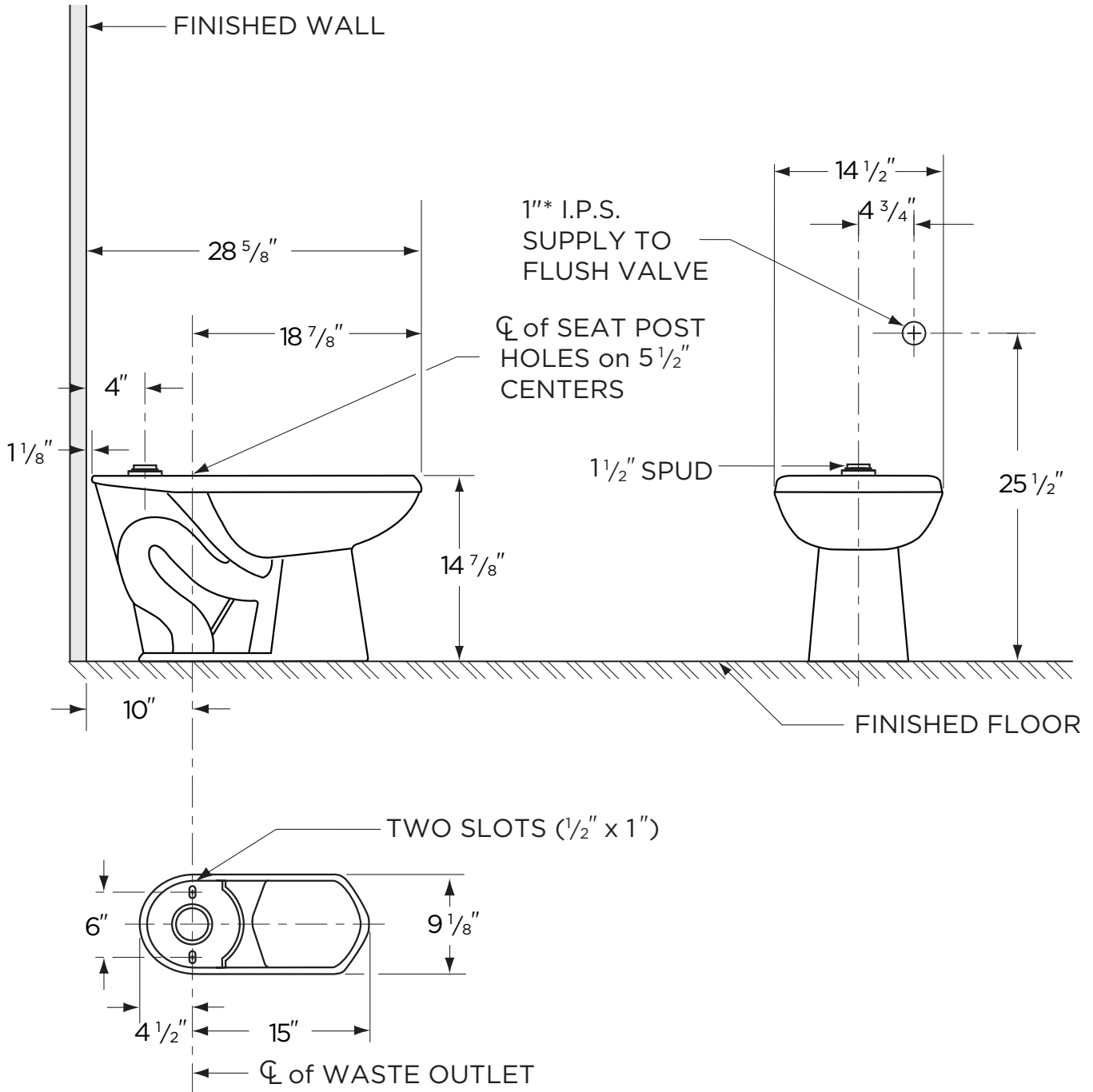
- Height.....14 7/8"
- Width.....14 1/2"
- Depth.....27 1/2"
- Rough-in.....10"
- Water Surface from Rim5 3/8"
- Trapway (min).....2 "
- Water Surface9 7/8" x 8 1/2"
- Water Seal2 1/8"
- Shipping Weight 45.5 lbs



THIS FIXTURE QUALIFIES ACCORDING TO ASME TEST PROCEDURES AS A HIGH EFFICIENCY WATER CLOSET WITH AN AVERAGE CONSUMPTION OF 1.28/1.6 gpf (4.8/6.0 Lpf) OR LESS.

Job Name	
Date	
Model Specified	
Quantity	
Customer	
Contractor	
Architect/engineer	

www.gerberonline.com



NOTES:
All dimensions are in inches.
Illustrations may not be drawn to scale.
*Use flush valve manufacturer's recommended rough-in

IMPORTANT:
Dimensions of fixtures are nominal and may vary within the range of tolerances established by ASME Standard A 112.19.2.
THIS FIXTURE QUALIFIES ACCORDING TO ASME TEST PROCEDURES AS A HIGH EFFICIENCY WATER CLOSET WITH AN AVERAGE CONSUMPTION OF 1.28/1.6 gpf (4.8/6.0 Lpf) OR LESS.