

# BYRDCLIFFE<sup>®</sup>

## TUB



**D02390202.415** Left Hand Outlet  
**D02391202.415** Right Hand Outlet

### FEATURES

---

- Americast<sup>®</sup> brand engineered material
- Recess bath with integral apron and tiling flange
- Integral lumbar support
- Beveled headrest
- Full slip-resistant coverage
- End drain outlet
- Drain not included
- Integral base

### DIMENSIONS

---

#### NOMINAL DIMENSIONS

60" x 30" x 14" (1524 x 762 x 356 mm)

### COLORS/FINISHES

---

Canvas White (415),  
Polished Chrome (002), Satin Nickel (295)

### COMPONENT

---

**D1640305.XXX** Deep Soak<sup>®</sup> Drain

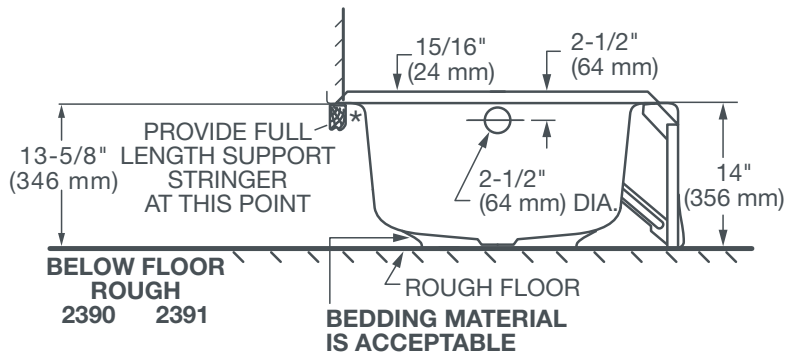
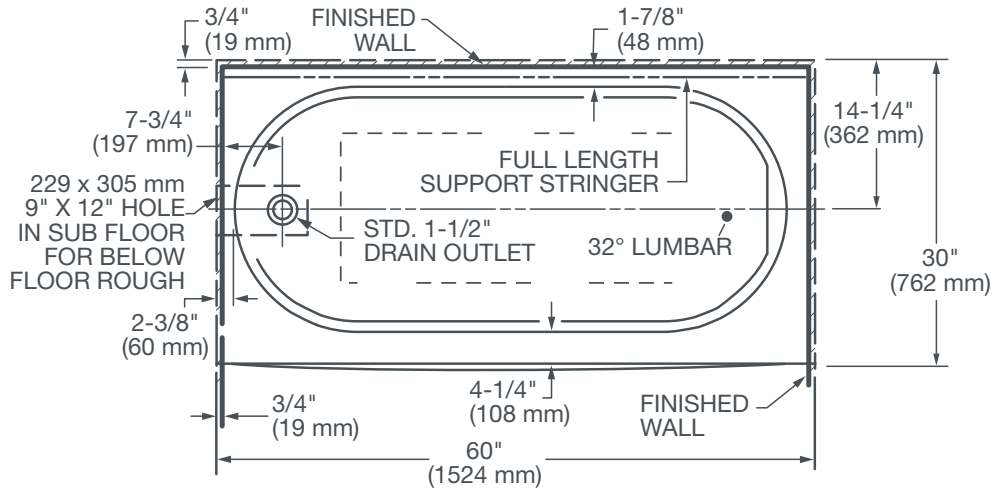
### COMPLIANCE CERTIFICATIONS

Meets or Exceeds ASME A112.19.1/CSA B45.2/  
ASTM F462

ROUGH IN DIAGRAM SHOWN  
ON NEXT PAGE

# BYRDCLIFFE®

## TUB



**\* PLUMBER NOTE:** PROVIDE FULL LENGTH SUPPORT STRINGER AT THIS POINT

**NOTES:**

- Refer to installation instructions supplied with bath.
- Bath faucet not included and must be ordered separately.
- Refer to installation instructions supplied with fitting.
- Concealed piping not furnished.
- Provide suitable reinforcement for all wall supports.

**IMPORTANT:**

Dimensions of fixtures are nominal and may vary within the range of tolerance established by ASME A112.19.1/CSA B45.2/ASTM F462. These measurements are subject to change or cancellation. No responsibility is assumed for use of superseded or voided pages.