



AMERICAN STANDARD

TRADITIONAL RAIN SHOWERHEAD



- Tiered, sculpted design
- 1/2" NPT
- Brass construction
- Showerhead can pivot
- Easy clean rubber nozzles
- Maximum showerhead flow rate: 2.5 GPM (9.5L/min)

CODES AND STANDARDS

Meets or Exceeds ASME A112.18.1/ CSA B125.1

AVAILABLE FINISHES

Polished Chrome
 Carbon Bronze (for 8" only)
 Brushed Nickel
 Platinum Nickel

FINISH CODE

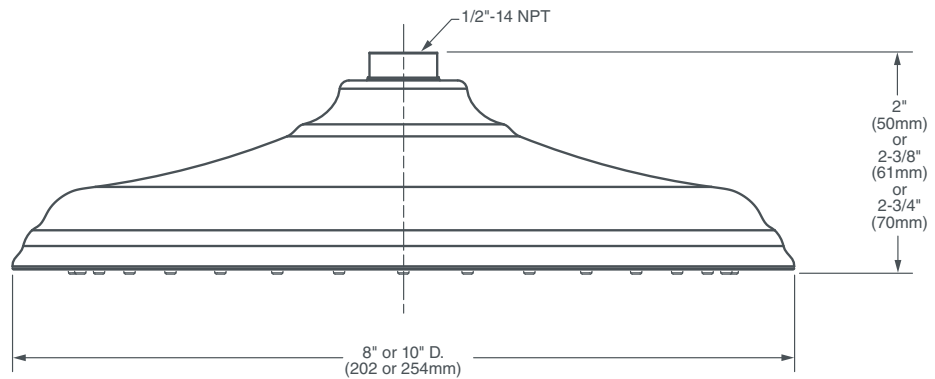
100
 110
 144
 150

DESCRIPTION

8" Traditional Rain Showerhead
 10" Traditional Rain Showerhead

PRODUCT NUMBER

D35700108.XXX
 D35700110.XXX



IMPORTANT: These measurements are subject to change or cancellation.
 No responsibility is assumed for use of superseded or voided pages.