

# INSTALLATION INSTRUCTIONS



## DXV Modulus™ 1-Piece Elongated Toilet Concealed Trapway Right Height®, Elongated Model D22020A Series

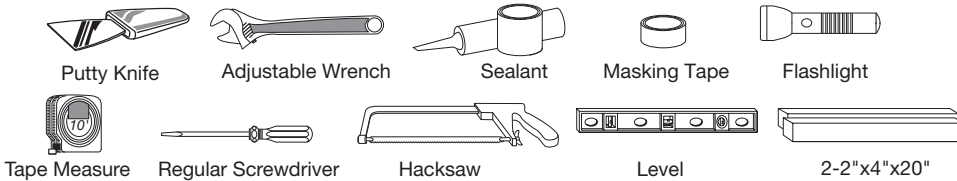
Thank you for selecting DXV. To ensure this product is installed properly, please read these instructions carefully before you begin. (Certain installations may require professional help.) Also be sure your installation conforms to local codes.

**⚠ CAUTION: PRODUCT IS FRAGILE. TO AVOID BREAKAGE AND POSSIBLE INJURY HANDLE WITH CARE!**  
NOTE: Pictures may not exactly define contour of china and components.

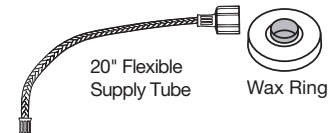
**ALL INSTALLATION PROCEDURES MUST COMPLY IN STRICT ACCORDANCE WITH APPLICABLE LOCAL PLUMBING AND BUILDING CODES**

### RECOMMENDED TOOLS AND MATERIALS

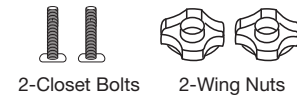
Most of the procedures require the use of common tools and materials, which are available from hardware and plumbing supply stores. It is essential that the tools and materials be on hand before work has begun.



### PARTS NOT INCLUDED



### PARTS INCLUDED



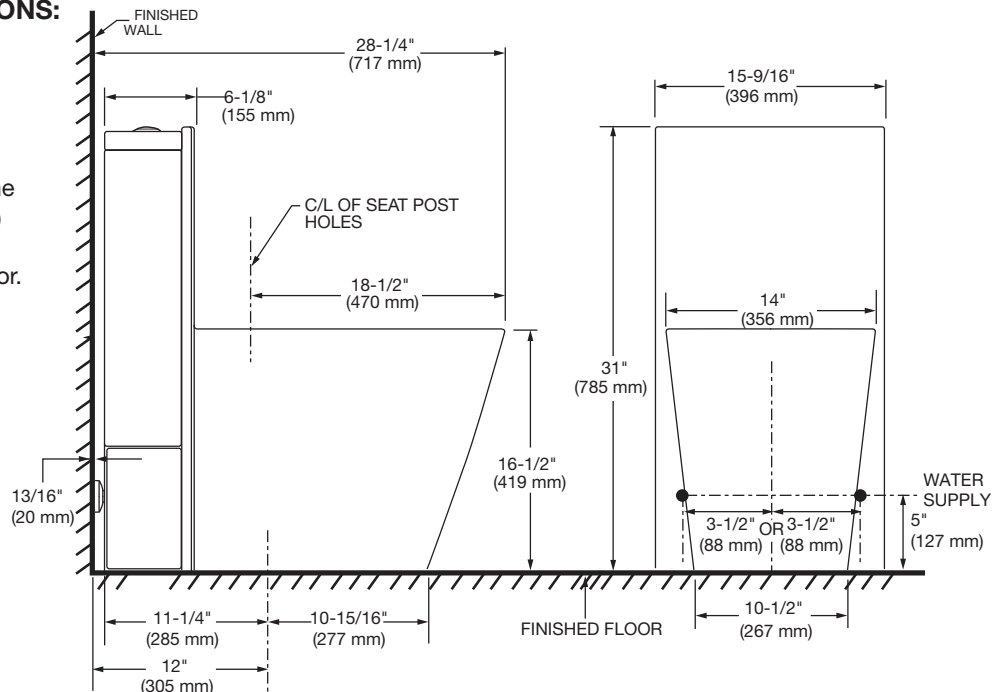
## 1 REMOVE OLD TOILET

- Close toilet supply valve and flush tank completely. Towel or sponge remaining water from tank and bowl.
- Disconnect and remove supply line. **NOTE:** *If replacing valve, first shut off main water supply!*
- Remove old mounting hardware, remove toilet and plug floor waste opening to prevent escaping sewer gases.
- Remove closet bolts from flange and clean away old wax, putty, etc. from base area.  
**NOTE:** *Mounting surface must be clean and level before new toilet is installed!*

## 2 ROUGHING-IN DIMENSIONS:

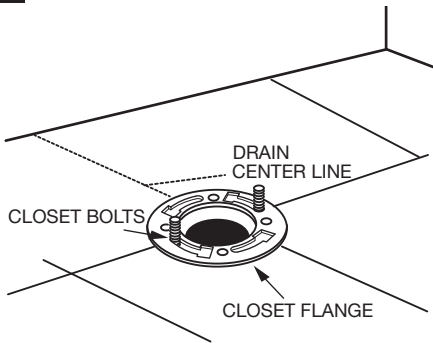
**NOTE:** Distance from wall to closet flange centerline must be as listed below:

**IMPORTANT:** Water supply on the wall is required at 3-1/2" (88 mm) from centerline of the toilet and 5" (127 mm) from the finished floor. (see rough-in). Water supply is hidden behind the toilet. Water supply line needs to be hidden within toilet frame.



SAVE FOR FUTURE USE

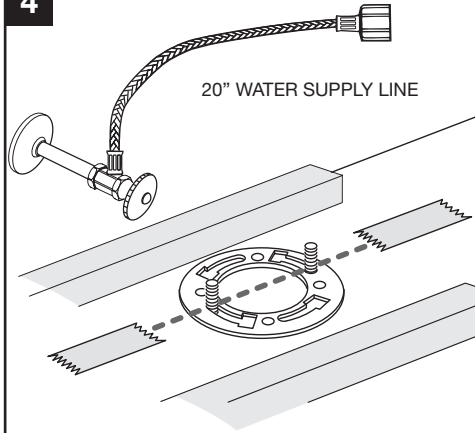
3



**INSTALL CLOSET BOLTS**

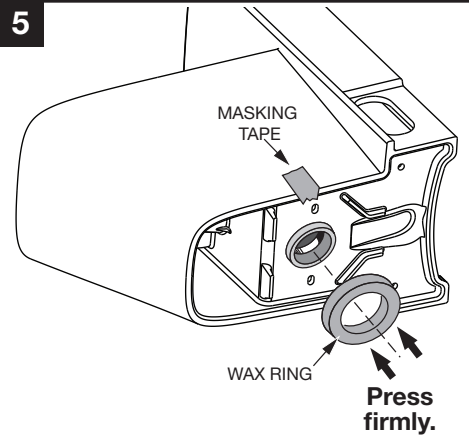
Install closet bolts in flange channel and slide into place parallel to wall.

4



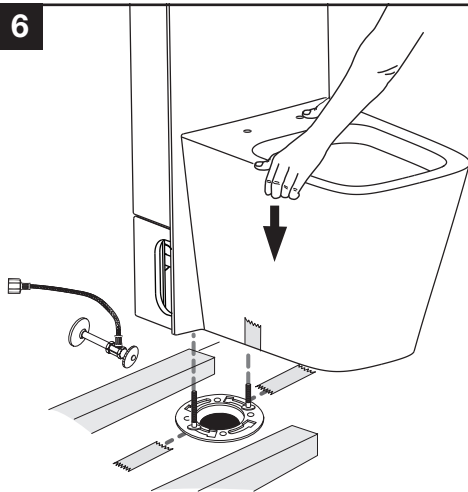
**TIP:** Place two 2x4's on edge in front and back of closet flange as shown in figure.

5



Place a strip of masking tape vertically up each side of the toilet bowl to indicate where the mounting holes are for the Closet Bolts. Apply Wax Ring and press firmly to hold in place.

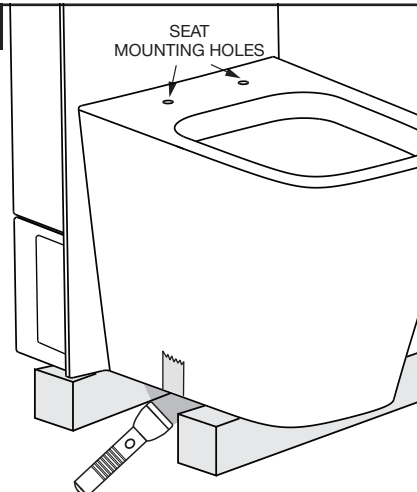
6



Carefully lift the toilet bowl on top of the 2x4's while aligning the masking tape on the floor to the masking tape on the side of the toilet. Connect the 20" water supply to the toilet.

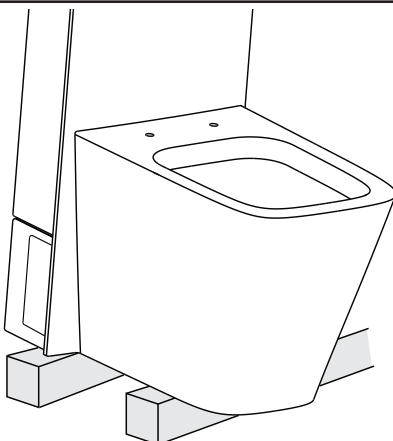
**RECOMMENDATION:** 2 people to aid with this task.

7



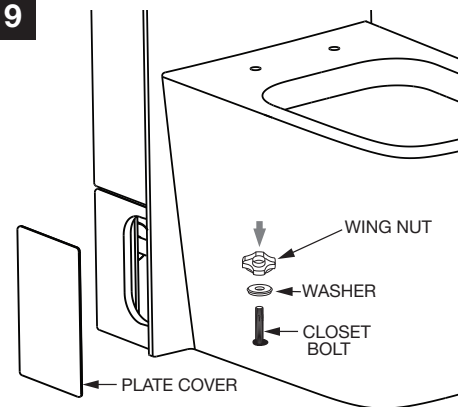
Lay a flashlight on the floor illuminating towards the closet flange and bolts. View through the seat mounting holes (see diag.) to see the toilet mounting hole and closet flange bolt below. The toilet mounting hole can be seen at a slight angle, not straight up or down. While observing where the bolt is in reference to the toilet mounting hole, carefully align the bowl over the closet bolts until centered.

8



Carefully lower the front 2x4 on its flat side, then check to see if the flange bolts are still coming through the toilet mounting holes. (Realign if necessary) Lower the rear 2x4 checking that the flange bolts are still coming through the toilet mounting holes. Once the flange bolts are lined up with the toilet mounting holes, carefully slide out the front 2x4 followed by the rear 2x4. Apply weight evenly. Do not move after placement. Water tight seal may break.

9

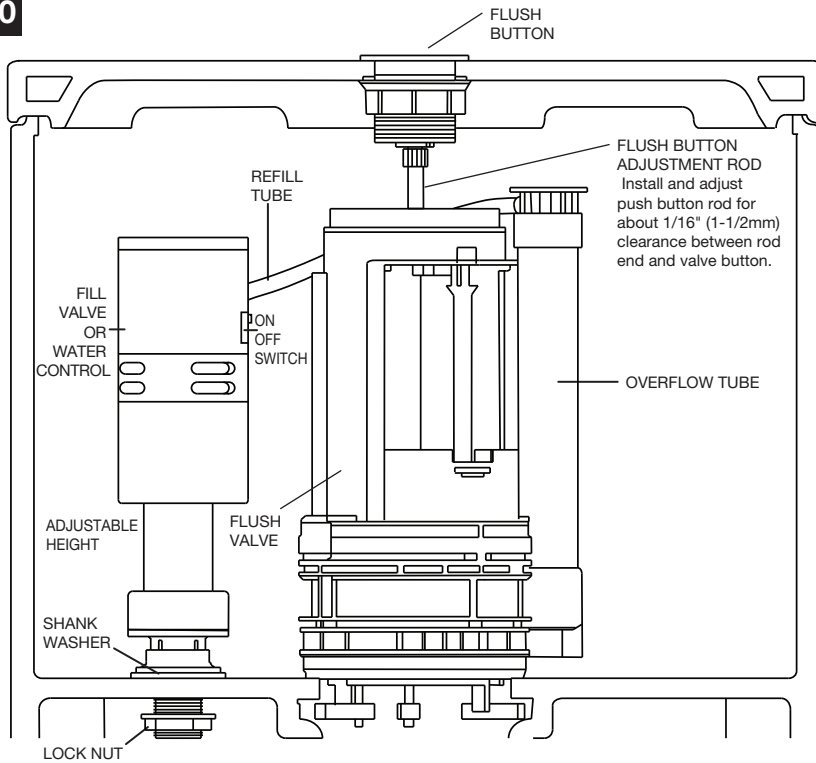


Install all nuts and washers and insure not to over tighten to avoid damage to bowl.

**\* For seat installation, see instructions included with seat.**

**⚠ WARNING:**  
Overtightening of water supply line nuts could result in breakage and potential flooding. If the connection leaks after hand tightening, replace the supply line. Do not use any type of sealant on the water supply connection.  
**⚠ Use of plumber's putty, pipe dope, or any other type of sealant will void the warranty.**

10



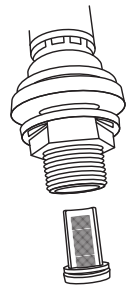
**NOTE:**

Adjust Water level to the mark indicated in the tank by turning water level adjustment switch to ON to move float cup up or down and OFF to lock in place.

11

**IMPORTANT:**

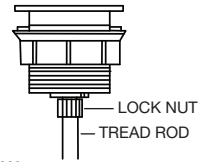
Always clear sand and rust from system. Make sure water supply is off. Remove water supply hose going to tank. With a needle nose plier, carefully pull the filter screen from the bottom of the fill valve. Clean and flush with water. Replace and hook up water.



12

**TIPS:**

With the lid removed, directly press the flush button in the tank to confirm that the toilet is working properly. If not, follow steps below.



1. Install Threaded Rod into hole in bottom of push button approximately 1/2" (12 mm).
2. Lightly snug Locking Nut.
3. Place Lid on Tank.
4. Push Button to test flush. If more stroke is needed, loosen Locknut and turn Threaded Rod counterclockwise one (1) turn.
5. Replace Lid. Repeat until flush action is achieved.
6. If Valve stays open, turn Threaded Rod clockwise one (1) turn and lightly snug Locknut.

**PARTS - See list label under the tank cover**

**TROUBLESHOOTING GUIDE**

PROBLEM	POSSIBLE CAUSE	CORRECTIVE ACTION
Does not flush	a. Water supply valve closed.	a. Open valve and allow water to fill tank.
	b. Water supply line blocked.	b. Shut off water supply, disconnect supply line and inspect all gaskets and washers. Reassemble.
	c. Sand or debris lodged in water control.	c. Shut Off water supply, disconnect supply line to tank, carefully pull out filter screen in Fill Valve, clean and rinse with water and replace.
Poor or sluggish flush	a. Tank water level too low.	a. Check that the water level is set to the mark inside the tank.
	b. Bowl water level too low.	b. Check that the refill tube is connected to the water control and inserted into overflow tube without being kinked or damaged.
	c. Supply valve partly closed.	c. Open supply valve fully. Be sure that proper supply tube size is used.
	d. Partially clogged trapway and/or drain pipe and/or vent.	d. Remove obstruction. Consult a plumber if necessary.
	e. Supply pressure too low.	e. Normal supply pressure must be at least 20 psi.
Toilet leaks	a. Poor supply line connection.	a. Review Warning on page 2.
	b. Poor bowl to floor connection.	b. Review Steps 6 & 7.
Toilet does not shut off	a. Flush valve seal leaking or deformed.	a. Clean debris from seal surface. Replace flush valve seal as needed.
	b. Sand or debris lodged in water control.	b. Shut Off water supply, disconnect supply line to tank, carefully pull out filter screen in bottom of Fill Valve, clean and rinse with water and replace.
	c. Water level set too high.	c. Set water level to mark on back of tank.

**In the United States:**

DXV  
One Centennial Avenue  
Piscataway, New Jersey 08855  
Attention: Director of Customer Care

For residents of the United States, warranty information may also be obtained by calling the following toll free number: (800) 227-2734  
www.DXV.com

**In Canada:**

DXV  
5900 Avebury Road  
Mississauga, Ontario  
L5R 3M3  
Canada

Toll Free: 1-800-387-0369  
Local: 905-306-1093  
Fax: 1-800-395-1498  
www.DXV.ca

**In Mexico:**

DXV  
Via Morelos 330  
Col. Santa Clara Coatitla  
Ecatepec, Estado de México 55540

Toll Free: 01-800-8391200  
www.DXV.mx