

INSTALLATION INSTRUCTIONS



DXV Belshire™ Console Lavatory Kit

- Models: D19080000.550 – Marble Top Console - No Hole**
D19080003.550 – Marble Top Console - Three Hole
D21065000.144 – Console Frame - Platinum Nickel
D21065000.427 – Console Frame - Satin Brass
D20205000.415 – Undercounter Lavatory

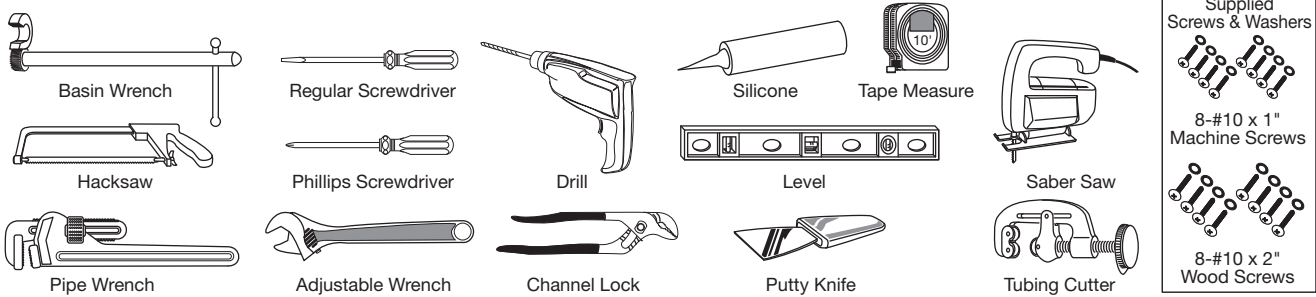
Thank you for selecting DXV. To ensure this product is installed properly, please read these instructions carefully before you begin. (Certain installations may require professional help.) Also be sure your installation conforms to local codes.

▲ CAUTION: PRODUCT IS FRAGILE. TO AVOID BREAKAGE AND POSSIBLE INJURY HANDLE WITH CARE!
 NOTE: Pictures may not exactly define contour of china and components.

For rough-in dimensions and supply line information, see spec page or web site

RECOMMENDED TOOLS AND MATERIALS

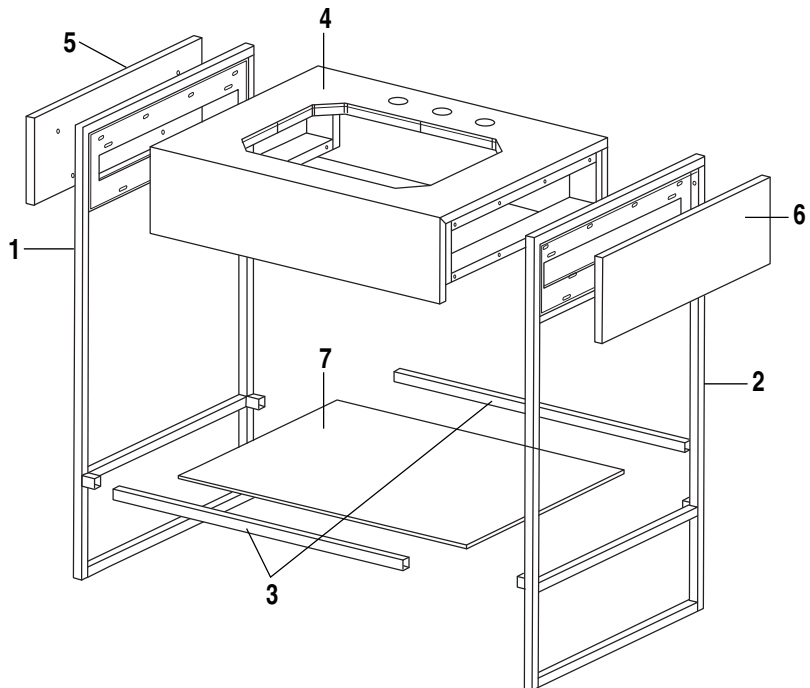
Most of the procedures require the use of common tools and materials, which are available from hardware and plumbing supply stores. It is essential that the tools and materials be on hand before work is begun.



EXPLODED VIEW

ITEM #	DESCRIPTION
1	Left Console Frame
2	Right Console Frame
3	(2) Horizontal Support Tubes
4	Marble Top
5	Left Side Marble Panel
6	Right Side Marble Panel
7	Glass Shelf

NOTE: Repair Part 770268-200.0070A Set
Screws & Allen Key



SAVE FOR FUTURE USE

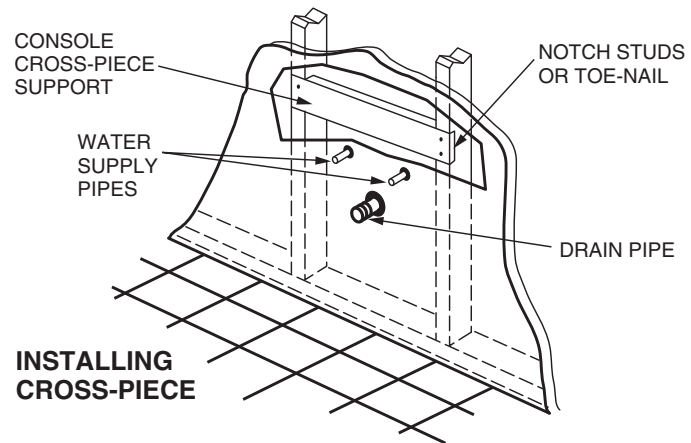
1 WALL PREPARATION:

Typical installation includes wall preparation, installation of faucet and pop-up drain, supplies to house water system.

Console Mounting Provisions - Whether the lavatory is used for replacement or new installation, the wall area behind the console must be reinforced to provide secure mounting for the new unit.

Preparing Wall for Console Mounting

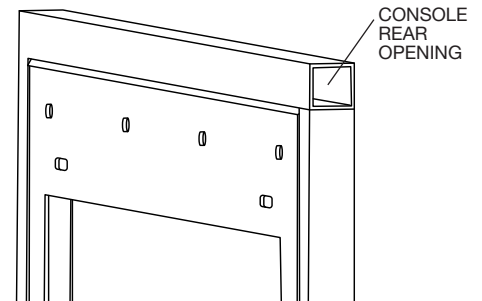
1. Remove wallboard/covering from designated area.
2. Toenail 2" x 6" (51 x 152 mm) cross piece between studs (or notch studs to accept a 1" x 6" (25 x 152 mm) crosspiece, and attach securely). Place the console into desired position and check height for dimensional location of horizontal crosspiece.
3. Replace wallboard/finished wall media.



2

Refer to exploded view. Set aside items **(1)** & **(2)** (left & right console frames) and 2 horizontal support tubes **(3)**. Assemble support tube by sliding end of tube over square connector. Set screw should be positioned on the bottom. Tighten set screw using supplied hex wrench.

NOTE: There is a **FRONT** and **REAR** to the console frames that can be identified by a slight opening on the top of the console frames tubing, this is the rear.



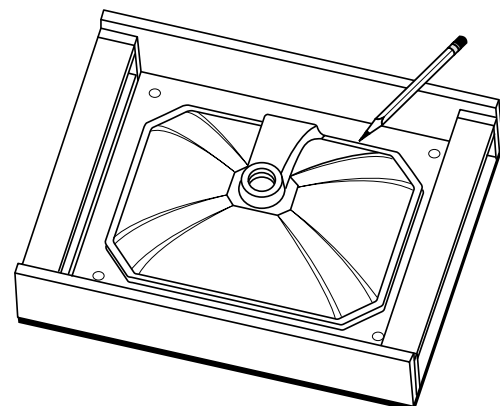
3

Place marble top upside down onto the cardboard spacer to cushion and prevent scratching. Do not place marble top on its edges/corners or chipping can occur.

4

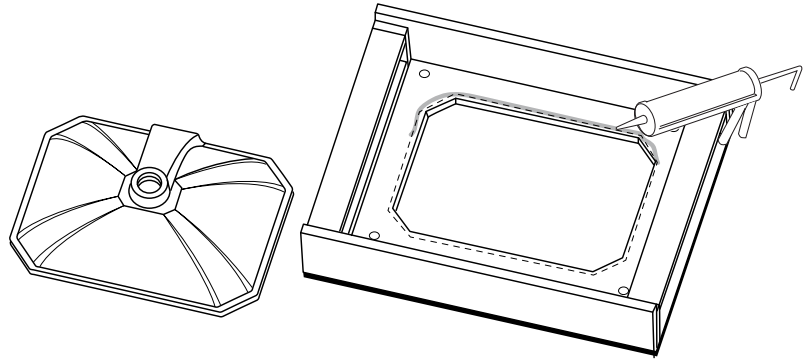
Remove lavatory from shipping container and carefully place in center of marble top opening as an under counter mount installation. Ensure lavatory is centered evenly over marble top opening front to back, side to side and trace a pencil line around the perimeter of the lavatory onto the underside of the marble top **(4)**.

NOTE: Ensure "Overflow" of lavatory is installed towards "Front" of console.



5

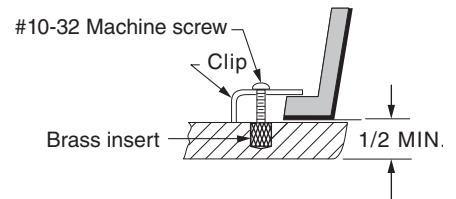
Remove lavatory and apply silicone sealant to the inside of the traced pencil line of the marble top.



6

Place lavatory back onto underside of marble top (4) within the traced pencil line. Further attach the sink to the marble top using the supplied sink clips and screws at 4 corner locations to hold lavatory in place.

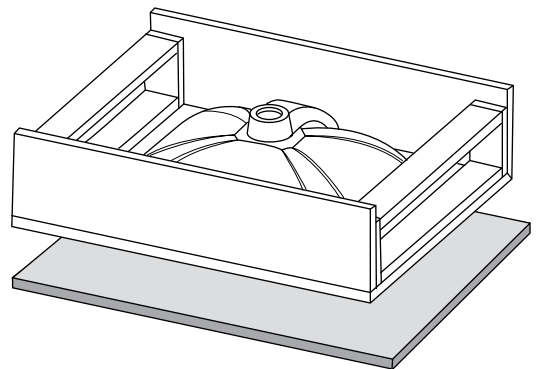
Carefully tighten all 4 screws alternately, do not overtighten. Clean off any sealant that may have run out.



7

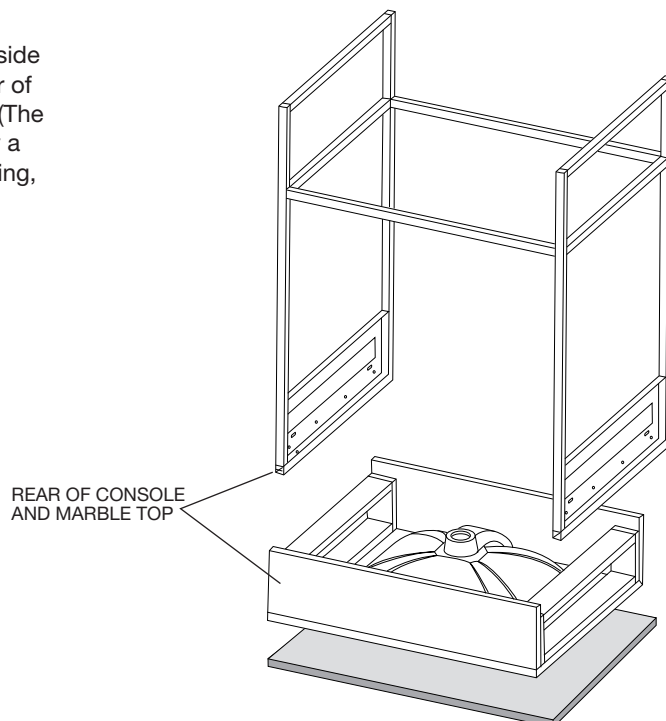
Ensure marble top and lavatory are still upside down and squarely sitting on the cardboard spacer.

This will aid installing the assembled metal console frame (1 & 2) to the marble top when installing mounting screws.



8

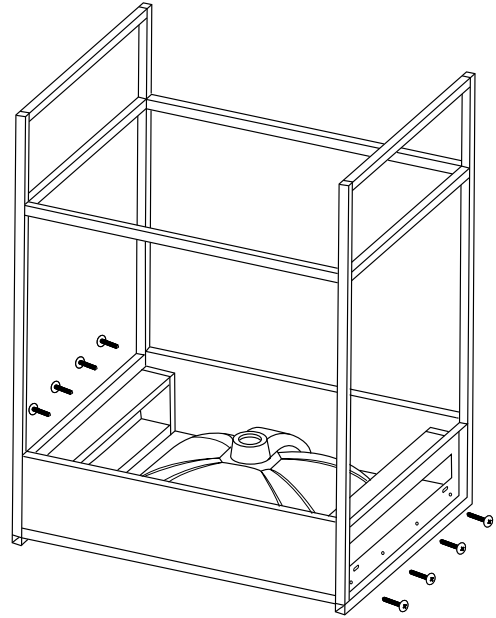
Place assembled metal console frame (1, 2 & 3) upside down over marble top (4) and lavatory ensuring rear of console is positioned to the rear of the marble top. (The rear of the metal console frame can be identified by a slight opening on the top of the console frames tubing, this is the rear. Refer to section 2)



9

Position metal console rear side flush to the rear of the marble top (4). Using supplied #10x2" wood screws and washers, screw console frame to wooden portion of marble top (4) following predrilled pilot holes. 4 screws are required for each side. Slots are provided in the frame for alignment of frame to rear of marble.

Tighten into place.



10

Align slots in metal console with holes in marble side panel using a small flashlight to visually see where the hole locations are, position the marble side panel (5 or 6) with that of the slots on the metal console frame. Place a washer over one of the supplied 10-32 x 1" screws and place through the slot of the metal console into one of the screw holes of the marble side panel (5 or 6). 4 screws are required for each marble panel. Ensure rear of side marble panel (5 or 6) is flush to rear of marble top (4). Tighten in place. **Do not over tighten!** Once side marble panel (5 & 6) are installed to marble top (4), check to determine if the side panels are approximately at the same level as the top surface of the marble top. Slight adjustment to the side marble panels can be made to accomplish this.

11

Install faucet and drain to sink according to manufacturer's instructions.

12

Position completed assembly upright against the wall over drain and water supply lines. Level marble top front to back and side to side. Adjust level using adjustable feet on the bottom of metal console frame legs (1 & 2). Pre-drill 2 pilot holes in the rear of the wooden marble top and screw marble top to wall into cross support or stud behind finished wall using #10 x 2" wood screws (NOT SUPPLIED) to securely attach console to wall.

NOTE: The console must be fully attached to the wall.

13

Complete installation of drain and water supply lines per manufacturer's instructions.

14

After the drain and water supply lines have been connected and checked for leaks, carefully place the glass shelf (7) onto the shelf support studs on the lower portion of the console assembly.

In the United States:

DXV
One Centennial Avenue
Piscataway, New Jersey 08855
Attention: Director of Customer Care

For residents of the United States, warranty information may also be obtained by calling the following toll free number: (800) 227-2734
www.DXV.com

In Canada:

DXV
5900 Avebury Road
Mississauga, Ontario
L5R 3M3
Canada

Toll Free: 1-800-387-0369
Local: 905-306-1093
Fax: 1-800-395-1498
www.DXV.ca

In Mexico:

DXV
Via Morelos 330
Col. Santa Clara Coatitla
Ecatepec, Estado de México 55540

Toll Free: 01-800-8391200
www.DXV.mx