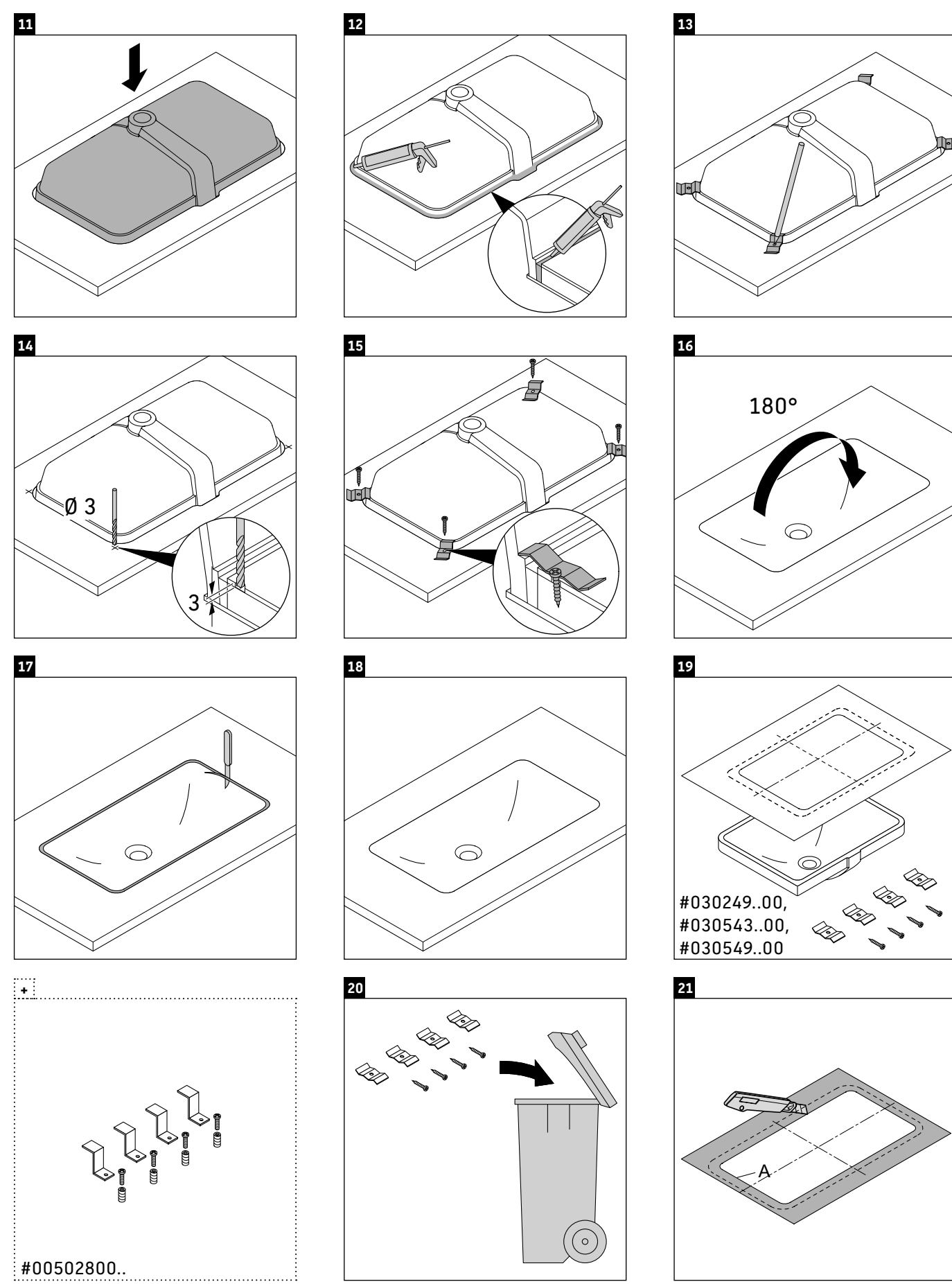
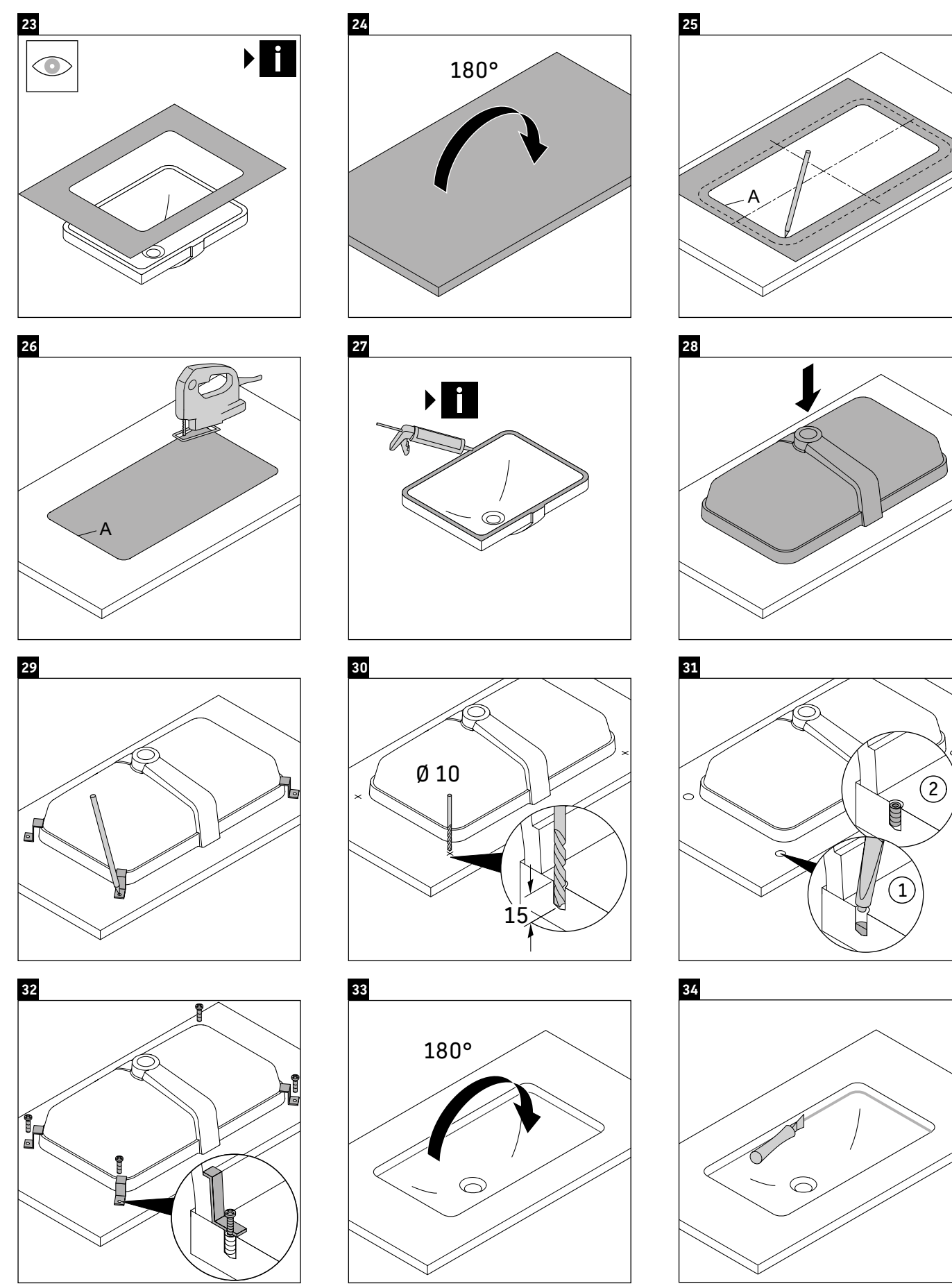


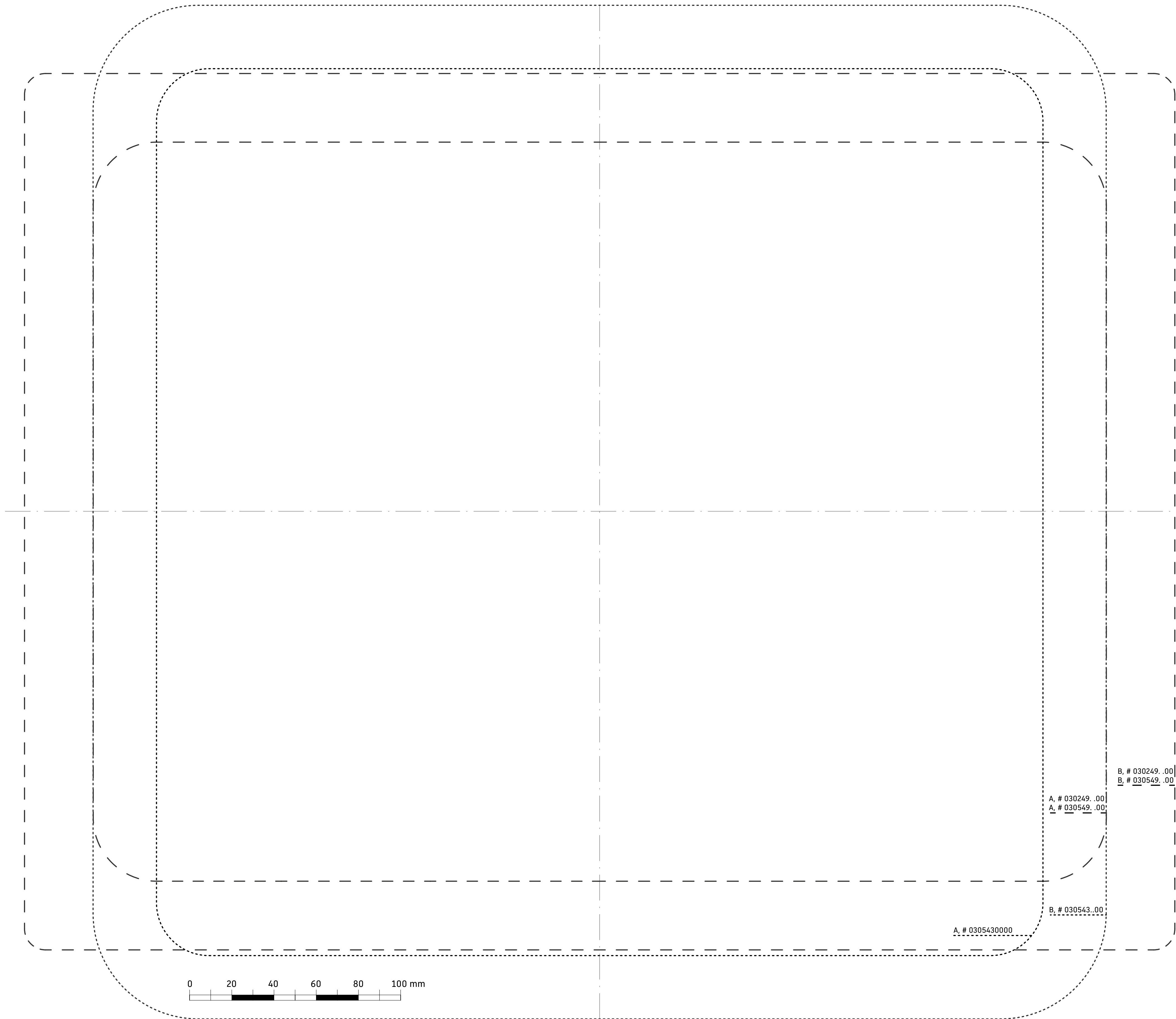
2 HAL\_51219/20-12.17



2 HAL\_51219/20-12.17



2 HAL\_51219/20-12.17



B, # 030249..00  
B, # 030549..00

A, # 030249..00  
A, # 030549..00

B, # 030543..00

A, # 0305430000

