

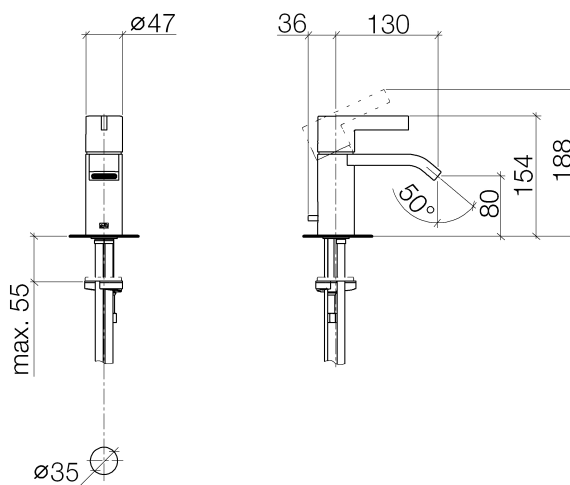


Product specifications

• 5-1/8" Projection

- US drain with overflow
- Fixed spout
- Rectangular aerated stream
- Total height 6-1/8"
- Height to aerator/spout outlet 3-1/8"
- 1-3/8" hole diameter
- 2x 3/8" US flexible supply lines
- Water flow rate limited to max. 1.2 gpm
- low lead compliant

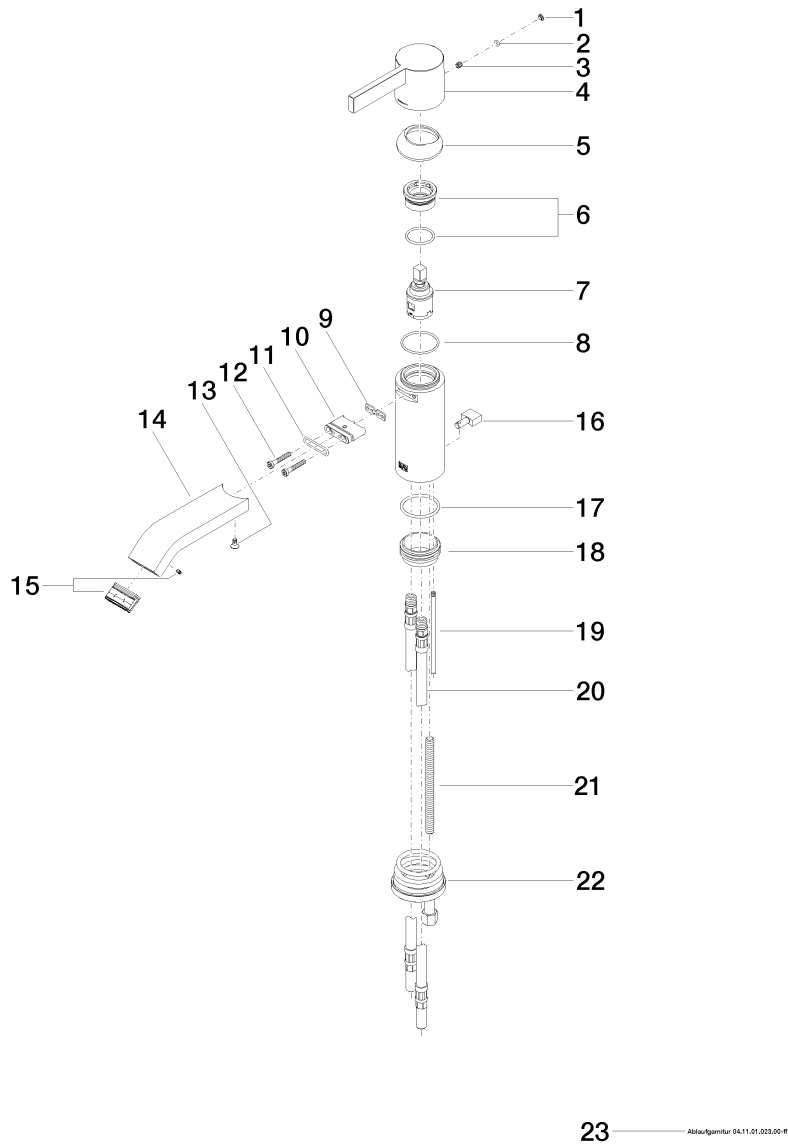
(ADA)



Surfaces

- chrome 33500670-000010
- matt platinum 33500670-060010

Exploded assembly drawing



Order quantity

No.	Article number	Name	Installation quantity
1	093120087ff	plug	1
2	09141013390	seal	1
3	09311103090	pin	1
4	092067003ff	handle	1
5	092830019ff	cover	1
6	9023100660090	nut	1
7	9015050420090	cartridge	1
8	09141010290	seal	1
9	09140313190	seal	1
10	09110306190	connection	1
11	09141005390	seal	1
12	09303008490	screw	2
13	09303011690	screw	1
14	092822239ff	spout	1
15	9029031180090	aerator	1
16	092067002ff	handle	1
17	09141011990	seal	1
18	092810109-07	ring	1
19	093109080ff	pull-rod	1
20	0430040450090	hose	2
21	09311101290	pin	1
22	0430110858890	fixing set	1
23	04110102300ff	pop-up waste	1

Flow rate chart

